

# R6E355 Series

Motorized Impeller

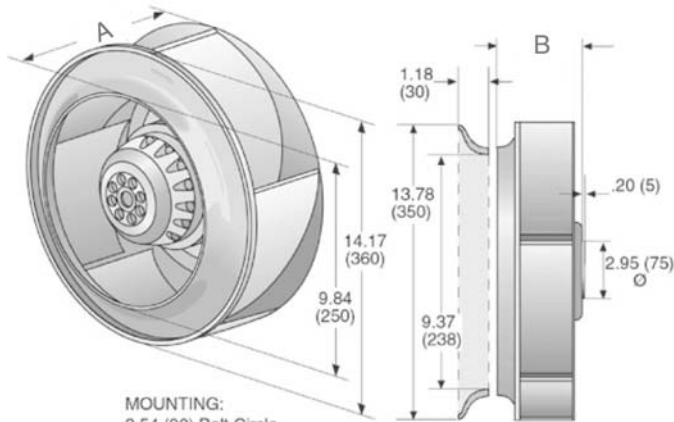


## Ø 355mm Backward Curved

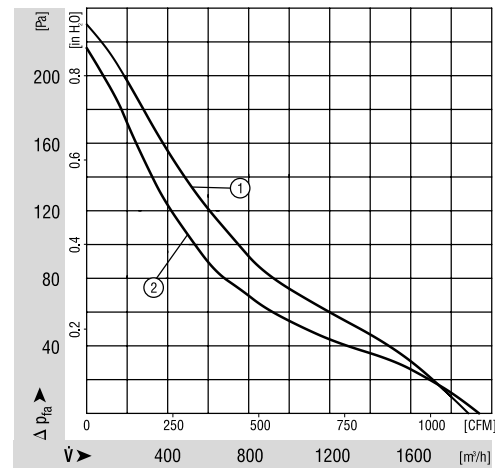
- Backward curved centrifugal fans feature extremely long blades. These impellers are highly resistant to dirt and dust. Their hydraulic efficiency is very high.
- Impeller completely made of aluminum sheet.
- Maintenance-free ball bearings.
- 115 VAC version available.
- Insulation class "B". Cable exit: variable. Direction of rotation is CW as seen from intake side.
- UL, CSA, VDE approvals on most models, please contact application engineering.
- Recommended inlet ring: 35561-2-4013.

Part Number	Curve	CFM @ 0	VAC	Hertz	Power (W)	dBA	Max Amb. Temp C	Capacitor (µF)	Speed (RPM)	Weight (lbs.)
R6E355-AD16-05	1	1112	230	60*	90	57	75	2	1000	7.72
R6E355-AE16-05	2	1142	230	60*	90	53	60	2	890	9.04

\*50 Hz data available on request.



Type	A	B
R6E355-AD	5.77 (146.5)	6.57 (167)
R6E355-AE	6.73 (171)	7.48 (190)



**ebmpapst**

e-mail: [sales@us.ebmpapst.com](mailto:sales@us.ebmpapst.com) · TEL: 860-674-1515 · FAX: 860-674-8536

ebm-papst Inc., 100 Hyde Road, Farmington, CT 06034 USA

ebm-papst Inc., 2006 © ebm-papst Inc. reserves the right to change any specifications or data without notice