

K3G280AK Series EC Fan Module

Ø 280mm Backward Curved, EC-i



■ **Material:** stator and electronics housing made of die-cast aluminum, rotor made of sheet steel (enameled in black), impeller made of sheet aluminum, galvanized sheet metal parts

■ **Technical features:** control input 0-10 VDC / PWM, rs485, ebus, alarm relay, integrated PID control, voltage supply for sensor, input for sensor 0-10 V respectively 4-20 mA, 0-10 V output for slave, PFC (passive), soft start, line undervoltage detection, phase failure detection, motor current limitation, over-temperature protected electronics and motor, locked-rotor protection.

■ **Type of protection:** IP 54

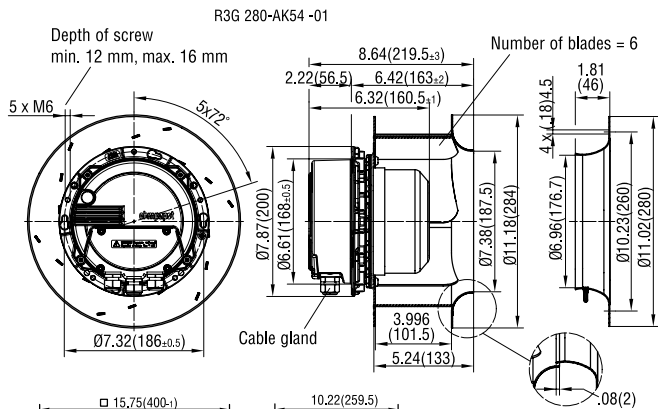
■ **Approvals:** UL, CSA, VDE, CE, CCC and GOST applications pending

■ **Mounting position:** norm is shaft horizontal or rotor on top

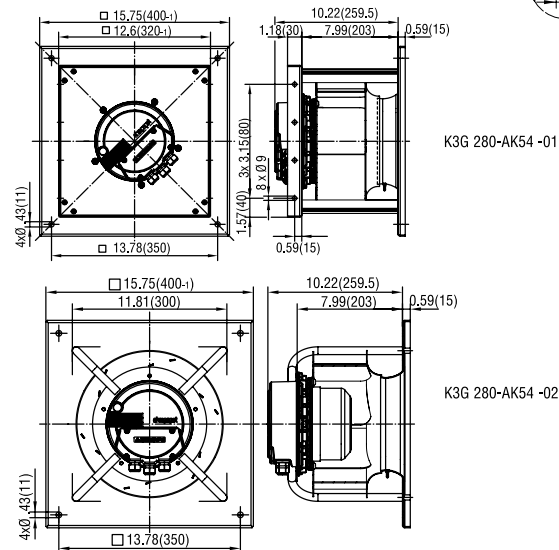
■ **Recommended inlet ring:**

R3G280	28002-2-4013
K3G280	integrated

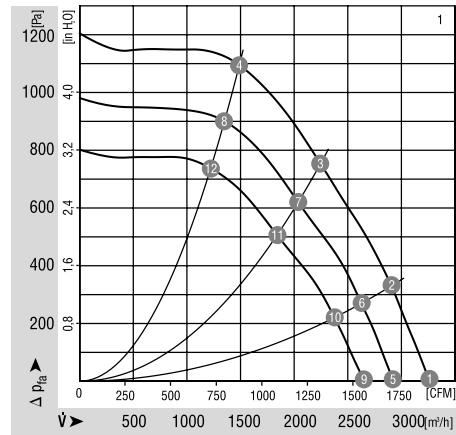
Part Number	Curve	CFM @ 0	3-VAC	Hertz	Power (W)	dBA	Max. Amb. Temp. C	Speed (RPM)	Weight (lbs.)
R3G280-AK54-01	1	2060	380-480	50/60	1000	83	50	2700	11.69
K3G280-AK54-02	1	2060	380-480	50/60	1000	83	50	2700	22.05
K3G280-AM54-01	1	2060	380-480	50/60	1000	83	50	2700	24.26



	n [RPM]	P ₁ [W]	I [A]	η _{TL} [%]	Lp _A [dBA]	n [RPM]	P ₁ [W]	I [A]	η _{TL} [%]	Lp _A [dBA]
1	3400	805	1.5	83	—	2800	450	0.8	78	—
1	3400	903	1.7	79	38	2800	502	0.9	74	38
1	3400	992	1.8	77	55	2800	554	1.0	73	55
1	3400	967	1.8	76	54	2800	538	1.0	72	54
1	3100	608	1.1	81	—					
1	3100	679	1.2	77	38					
1	3100	749	1.4	75	55					
1	3100	728	1.3	75	54					



Curve



ebmpapst

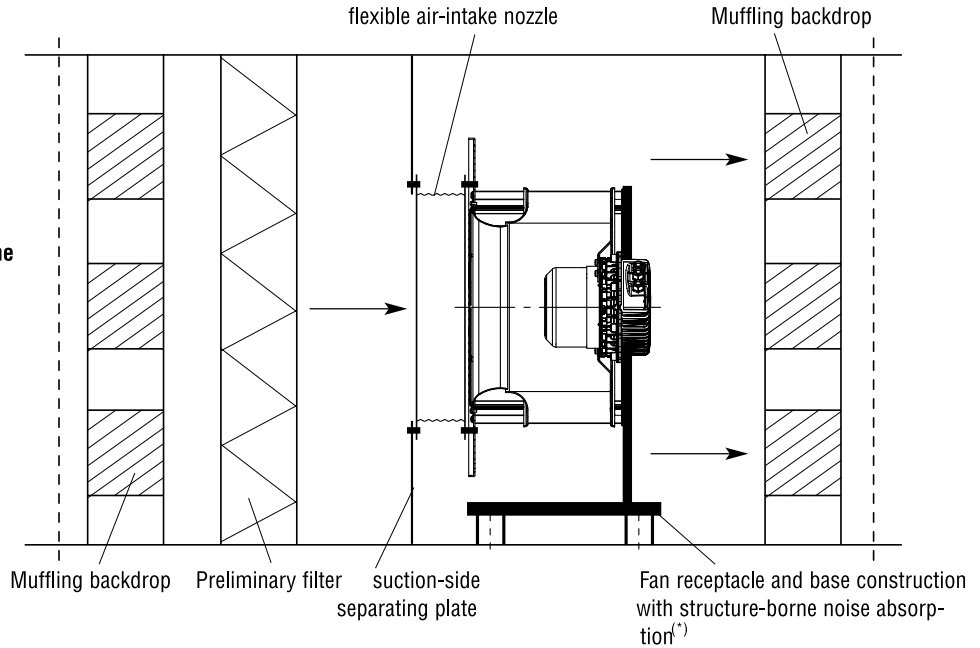
e-mail: sales@us.ebmpapst.com · TEL: 860-674-1515 · FAX: 860-674-8536

ebm-papst Inc., 100 Hyde Road, Farmington, CT 06034 USA

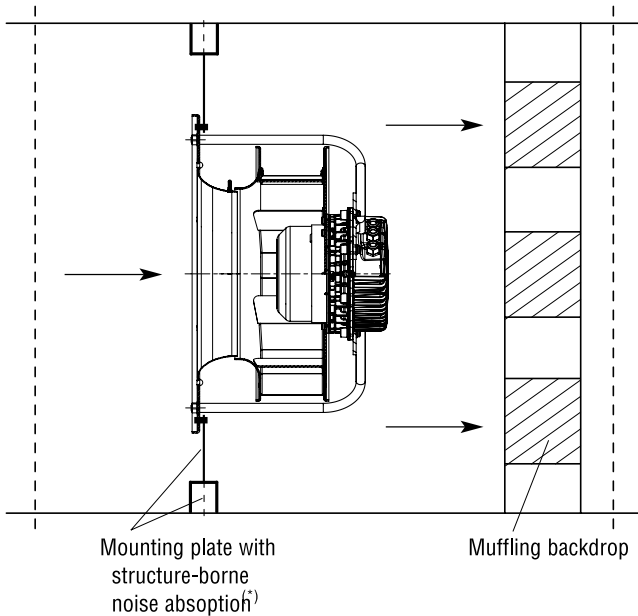
ebm-papst Inc., 2006 © ebm-papst Inc. reserves the right to change any specifications or data without notice

EC Centrifugal Fan Modules Mounting Options

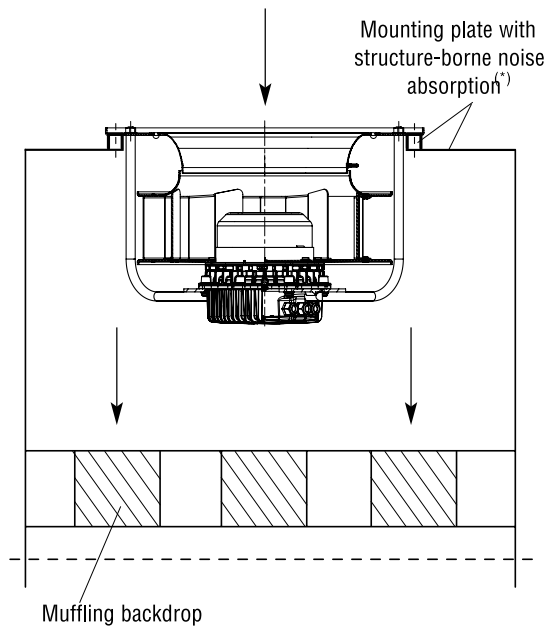
1.) AHU set-up with fan unit mounted in structure-borne noise absorbend way, anti-vibration mounted



2a.) Centrifugal fan / Module for direct installation on mounting plate with structure-borne noise absorption and anti-vibration mount (horizontal air flow)



2b.) Centrifugal fan / Module for direct installation on mounting plate with structure-borne noise absorption and anti-vibration mount (vertical air flow)



^(*)= provided by customer