

# RV40 Series

Flatpak

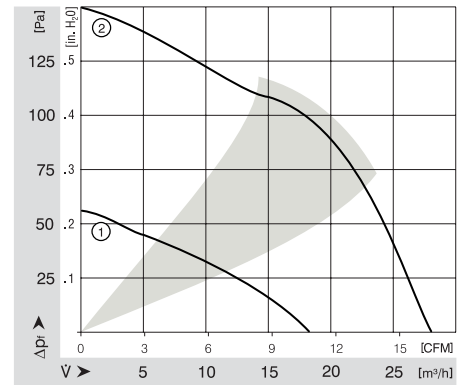
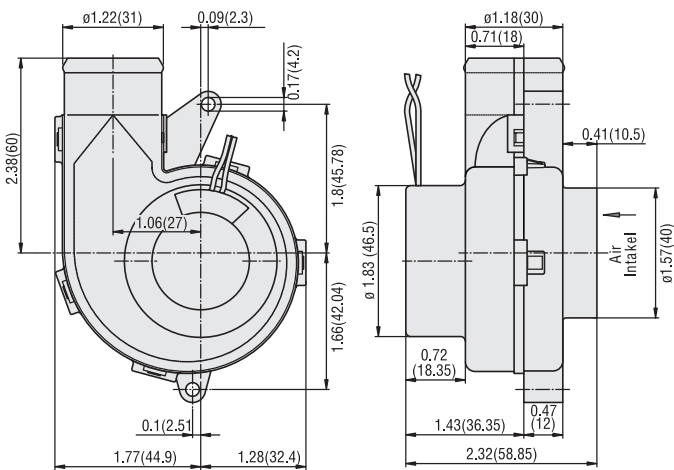
105x59x79 mm



- DC radial blower with electronically commutated external rotor motor. Fully integrated commutation electronics.
- Spiral housing and blower of fiber-glass reinforced plastic.

- Radial air exhaust through housing port.
- Electrical connection via 2 leads AWG 26, TR 64. Stripped and tinned ends.
- UL, CSA, VDE approvals on most models, please contact application engineering.

Part Number	Curve	CFM @ 0	VDC	Volt. Range	Power (W)	dBA	Max. Amb. Temp C	Bearing Type	Features	Wgt. (lbs)
RV40-18/12L	1	10.6	12	9 to 16	2.3	35	70	Ball	Leads	0.17
RV40-18/12H	2	16.5	12	9 to 16	4.5	41	70	Ball	Leads	0.17



**ebmpapst**

e-mail: [sales@us.ebmpapst.com](mailto:sales@us.ebmpapst.com) · TEL: 860-674-1515 · FAX: 860-674-8536

ebm-papst Inc., 100 Hyde Road, Farmington, CT 06034 USA

ebm-papst Inc., 2006 © ebm-papst Inc. reserves the right to change any specifications or data without notice