

SPECIFICATIONS

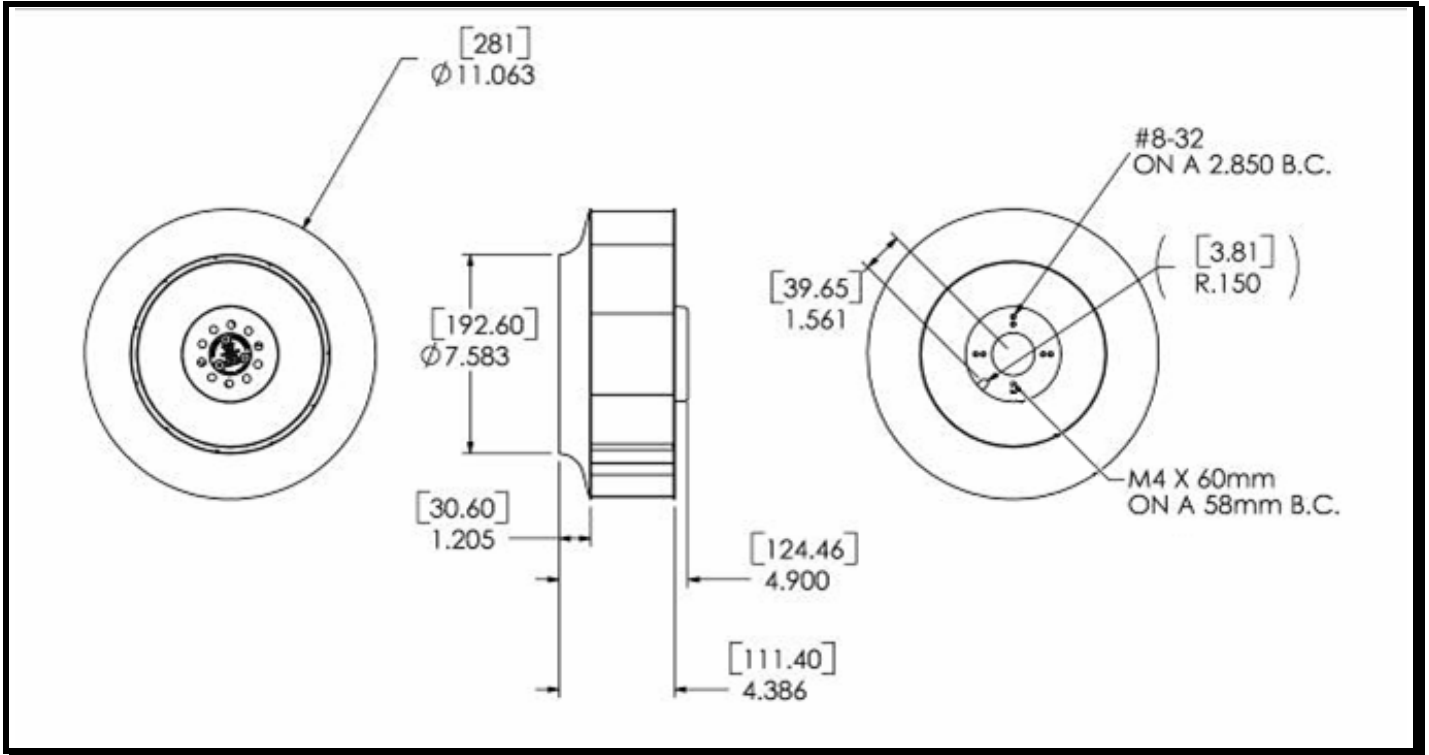
"Preliminary"



Model Number: DDE114948Z1E
Part Number: 040966

April 11, 2007

Mechanical Drawing:



Motor:

| | |
|-------------------------|------------------------------|
| Nominal Voltage | = 48 VDC |
| Operating Voltage Range | = 28 - 72 VDC |
| Nominal Running Current | = 4.7 amps |
| Locked Rotor Current | = TBD amps |
| Running Power | = 224 watts |
| Average Speed | = 2340 RPM |
| Bearings | = Ball |
| Air Flow | = 1330 CFM |
| Static Pressure | = 2.78 (in/H ₂ O) |
| Acoustic | = TBD |

Construction:

Motor Base: Die Cast Aluminum
Propeller: Sheet Metal, Galvanized

Agency Approvals:

Pending

Life Expectancy:

TBD

Additional Features:

Brushless DC Motor
Electronic Locked Rotor Protection
Polarity Protected
Automatic Restart Capability
Operating Temperature: -10°C to 70°C
Storage Temperature: -40°C to 85°C

Tachometer Specifications:

Output: Open Collector
Ic: 20 mA. Max
Vcc: 72 VDC Max
Pulses per Revolution: 2
Isolated: No

Termination:

12" Leadwires, 22 AWG, UL 1061
Red - Power (+)
Black - Return (-)
Blue/White - Tachometer (Output)