

SPECIFICATIONS

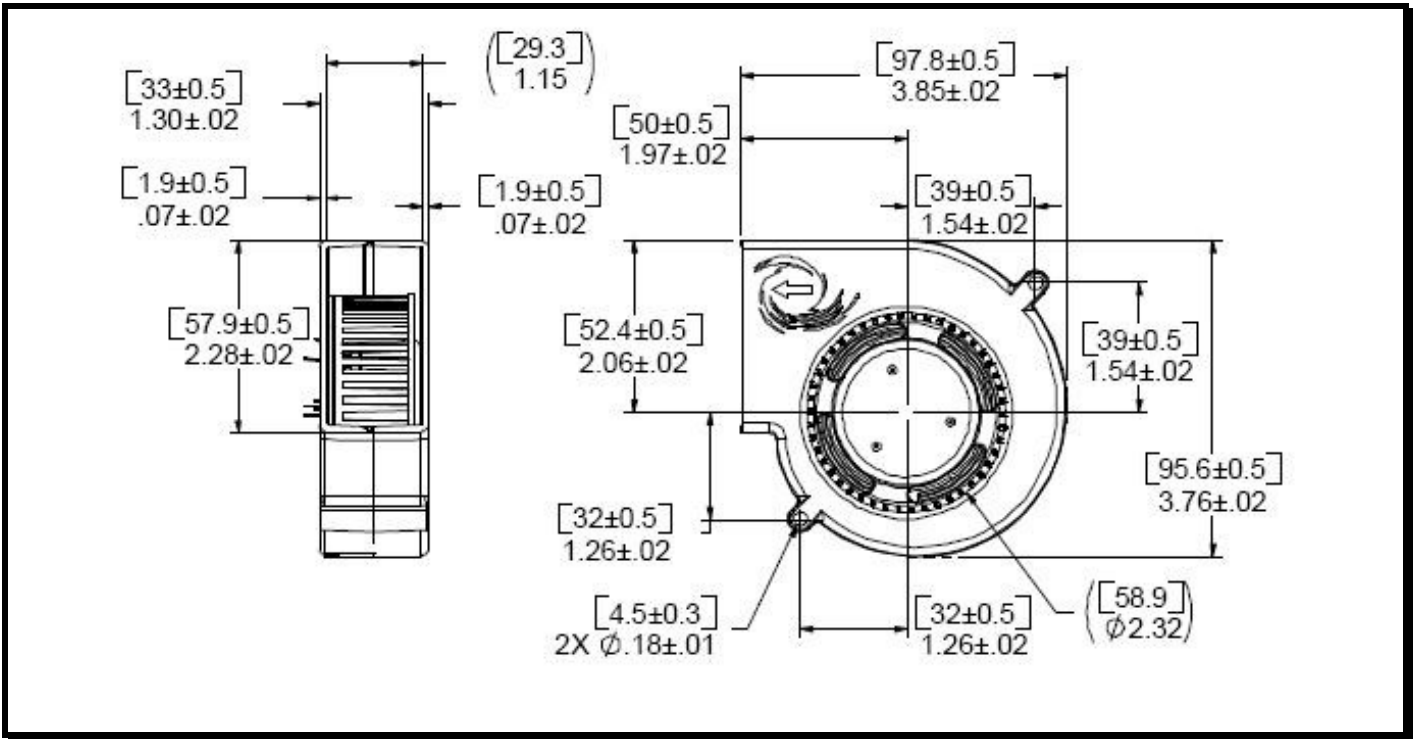
Preliminary



Model Number: AMD12B3E
Part Number: 040714

April 11, 2007

Mechanical Drawing:



Motor:

Nominal Voltage = 12 VDC
Operating Voltage Range = 7 – 13.5 VDC
Nominal Running Current = 0.8 amps
Locked Rotor Current = TBD amps
Running Power = 10 watts
Average Speed = 3750 RPM
Bearings = Ball
Air Flow = 30 CFM
Static Pressure = 1.2 (in/H₂O)
Acoustic = TBD
Inlet Impeller Rotation: Counter Clockwise

Construction:

Venturi: Plastic, Black, UL 94V-0
Propeller: Plastic, Black, UL 94V-0

Agency Approvals:

Pending

Life Expectancy:

TBD

Additional Features:

Brushless DC Motor
Electronic Locked Rotor Protection
Polarity Protected
Automatic Restart Capability
Operating Temperature: -10°C to 70°C
Storage Temperature: -40°C to 85°C

Tachometer Specifications:

Output: Open Collector
I_c: 20 mA. Max
V_{cc}: 13.5 VDC Max
Pulses per Revolution: 2
Isolated: No

Termination:

12" Leadwires, 22 AWG, UL 1061
Red - Power (+)
Black - Return (-)
Blue/White – Tachometer (Output)