

SPECIFICATIONS

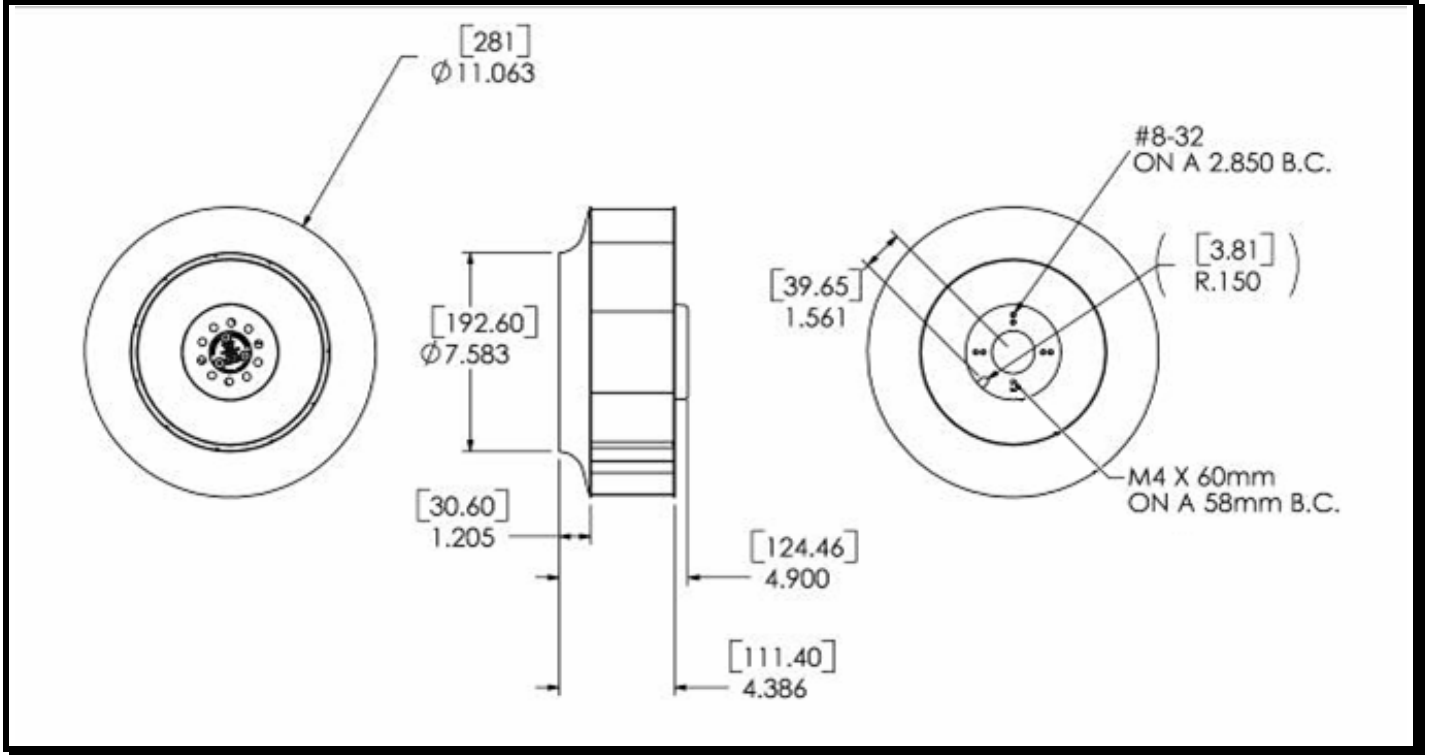
"Preliminary"



Model Number: DDE114924Z1E
Part Number: 040963

April 11, 2007

Mechanical Drawing:



Motor:

Nominal Voltage	= 24 VDC
Operating Voltage Range	= 16 - 32 VDC
Nominal Running Current	= 9.4 amps
Locked Rotor Current	= TBD amps
Running Power	= 224 watts
Average Speed	= 2340 RPM
Bearings	= Ball
Air Flow	= 1330 CFM
Static Pressure	= 2.78 (in/H ₂ O)
Acoustic	= TBD

Construction:

Motor Base:	Die Cast Aluminum
Propeller:	Sheet Metal, Galvanized

Agency Approvals:

Pending

Life Expectancy:

TBD

Additional Features:

Brushless DC Motor	
Electronic Locked Rotor Protection	
Polarity Protected	
Automatic Restart Capability	
Operating Temperature:	-10°C to 70°C
Storage Temperature:	-40°C to 85°C
Programmable (PWM)	

Tachometer Specifications:

Output:	Open Collector
I _c :	20 mA. Max
V _{cc} :	32 VDC Max
Pulses per Revolution:	2
Isolated:	No

Termination:

12" Leadwires, 22 AWG, UL 1061
Red - Power (+)
Black - Return (-)
Blue/White - Tachometer (Output)
Yellow - Program (Input)