

# SPECIFICATIONS

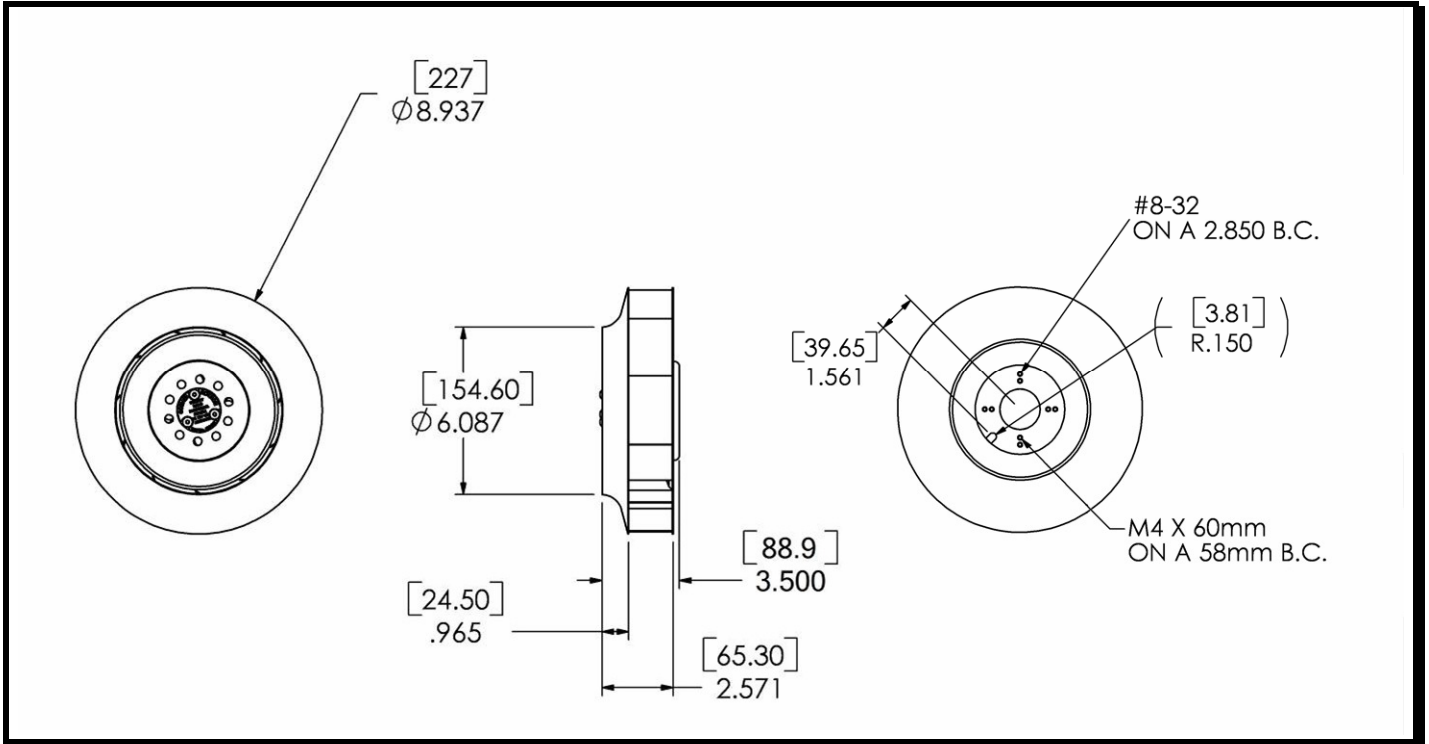
"Preliminary"



Model Number: DDE893524Z1E2  
Part Number: 041006

April 11, 2007

## Mechanical Drawing:



### Motor:

Nominal Voltage	= 24 VDC
Operating Voltage Range	= 16 - 32 VDC
Nominal Running Current	= 5.2 amps
Locked Rotor Current	= TBD amps
Running Power	= 142 watts
Average Speed	= 3530 RPM
Bearings	= Ball
Air Flow	= 750 CFM
Static Pressure	= 3.4 (in/H <sub>2</sub> O)
Acoustic	= TBD

### Construction:

Motor Base: Die Cast Aluminum  
Propeller: Sheet Metal, Galvanized

### Agency Approvals:

Pending

### Life Expectancy:

TBD

### Additional Features:

Brushless DC Motor  
Electronic Locked Rotor Protection  
Polarity Protected  
Automatic Restart Capability  
Operating Temperature: -10°C to 70°C  
Storage Temperature: -40°C to 85°C  
Programmable (PWM)

### Tachometer Specifications:

Output: Open Collector  
Ic: 20 mA. Max  
Vcc: 32 VDC Max  
Pulses per Revolution: 2  
Isolated: No

### Termination:

12" Leadwires, 22 AWG, UL 1061

Red - Power (+)  
Black - Return (-)  
Blue/White - Tachometer (Output)  
Yellow - Program (Input)