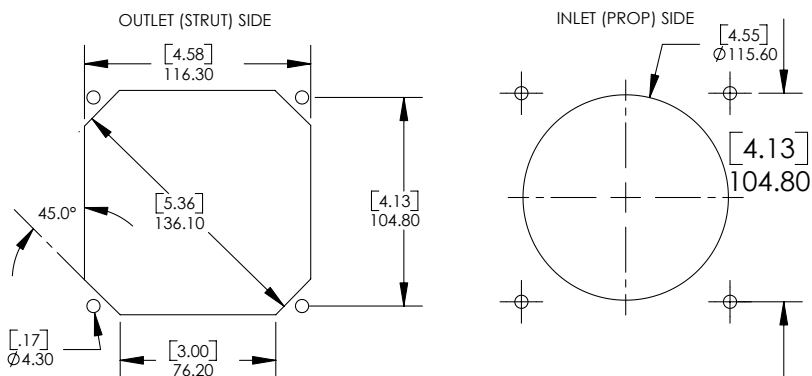


RECOMMENDED CUTOUT



CONTACT INFO:		WWW.COMAIRROTRON.COM		SALES@COMAIRROTRON.COM	
TOLERANCE UNLESS OTHERWISE SPECIFIED		AMERICAN PROJECTION		(619) 661 - 6688	
2 PL. DEC. ± .03 [.8]		3 PL. DEC. ± .010 [.25]		3D MODEL FOUND AT..	
ANGULAR ± 30°		[IN] [MM]			
MUFFIN AC					