

SPECIFICATIONS

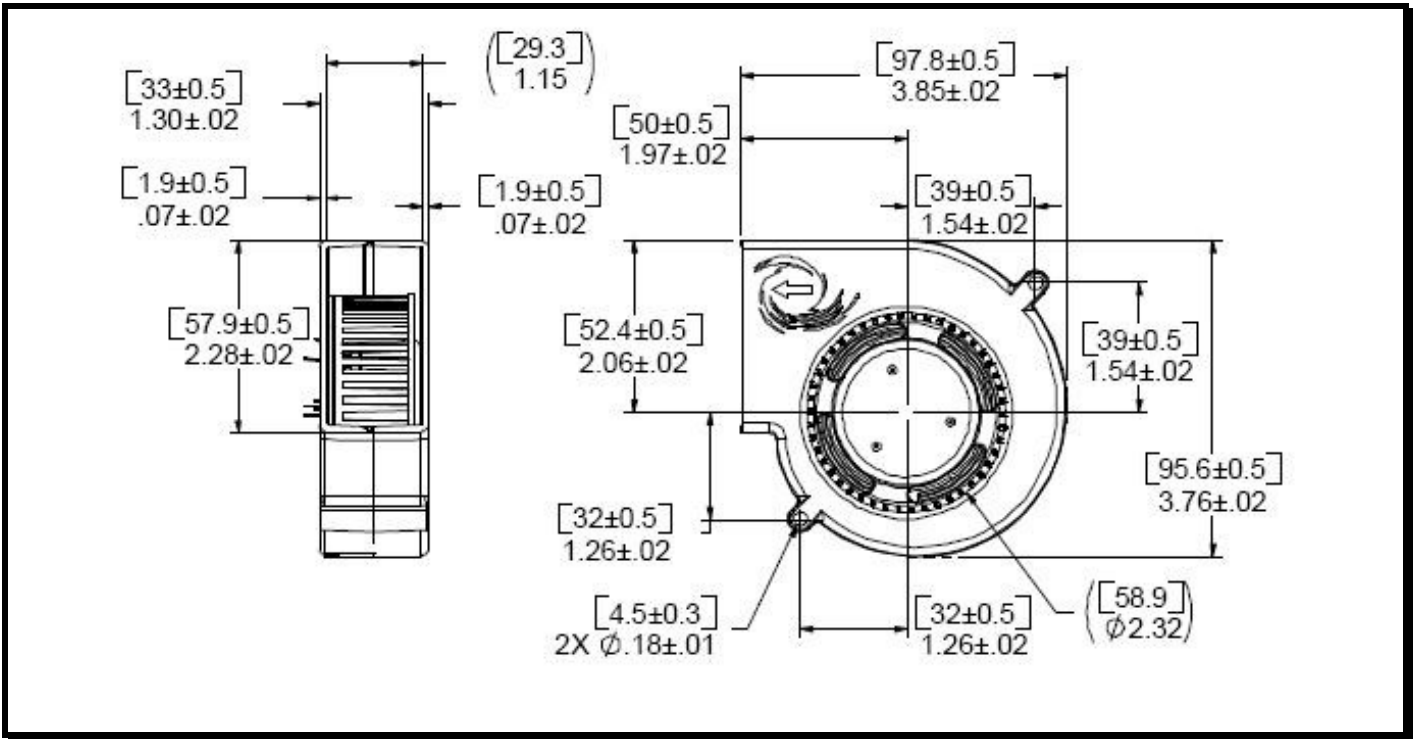
Preliminary



Model Number: AMD24K3E2
Part Number: 041068

April 11, 2007

Mechanical Drawing:



Motor:

Nominal Voltage	= 24 VDC
Operating Voltage Range	= 16 - 28 VDC
Nominal Running Current	= 0.6 amps
Locked Rotor Current	= TBD amps
Running Power	= 15 watts
Average Speed	= 4400 RPM
Bearings	= Ball
Air Flow	= 35.5 CFM
Static Pressure	= 1.7 (in/H ₂ O)
Acoustic	= TBD
Inlet Impeller Rotation:	Counter Clockwise

Construction:

Venturi:	Plastic, Black, UL 94V-0
Propeller:	Plastic, Black, UL 94V-0

Agency Approvals:

Pending

Life Expectancy:

TBD

Additional Features:

Brushless DC Motor
Electronic Locked Rotor Protection
Polarity Protected
Automatic Restart Capability
Operating Temperature: -10°C to 70°C
Storage Temperature: -40°C to 85°C
Programmable (PWM)

Tachometer Specifications:

Output:	Open Collector
Ic:	20 mA. Max
Vcc:	28 VDC Max
Pulses per Revolution:	2
Isolated:	No

Termination:

12" Leadwires, 22 AWG, UL 1061
Red - Power (+)
Black - Return (-)
Blue/White - Tachometer (Output)
Yellow - Program (Input)