

# SPECIFICATIONS

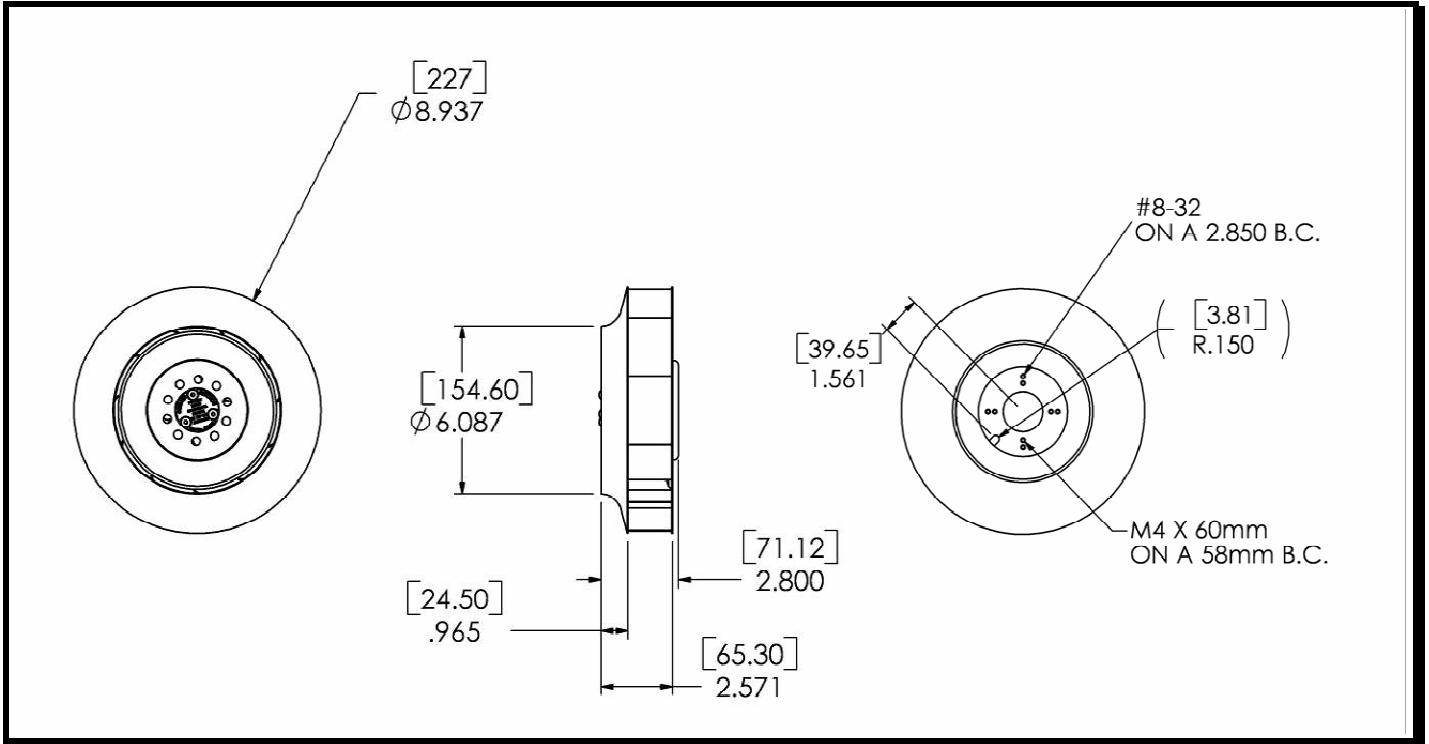
"Preliminary"



Model Number: DDE892848Z1E2  
Part Number: 041021

April 11, 2007

## Mechanical Drawing:



### Motor:

Nominal Voltage	= 48 VDC
Operating Voltage Range	= 28 - 72 VDC
Nominal Running Current	= 2.6 amps
Locked Rotor Current	= TBD amps
Running Power	= 142 watts
Average Speed	= 3530 RPM
Bearings	= Ball
Air Flow	= 750 CFM
Static Pressure	= 3.4 (in/H <sub>2</sub> O)
Acoustic	= TBD

### Construction:

Motor Base: Die Cast Aluminum  
Propeller: Sheet Metal, Galvanized

### Agency Approvals:

Pending

### Life Expectancy:

TBD

### Additional Features:

Brushless DC Motor  
Electronic Locked Rotor Protection  
Polarity Protected  
Automatic Restart Capability  
Operating Temperature:  $-10^{\circ}\text{C}$  to  $70^{\circ}\text{C}$   
Storage Temperature:  $-40^{\circ}\text{C}$  to  $85^{\circ}\text{C}$   
Programmable (PWM)

### Tachometer Specifications:

Output:	Open Collector
Ic:	20 mA. Max
Vcc:	72 VDC Max
Pulses per Revolution:	2
Isolated:	No

### Termination:

12" Leadwires, 22 AWG, UL 1061  
Red - Power (+)  
Black - Return (-)  
Blue/White - Tachometer (Output)  
Yellow - Program (Input)