

# SPECIFICATIONS

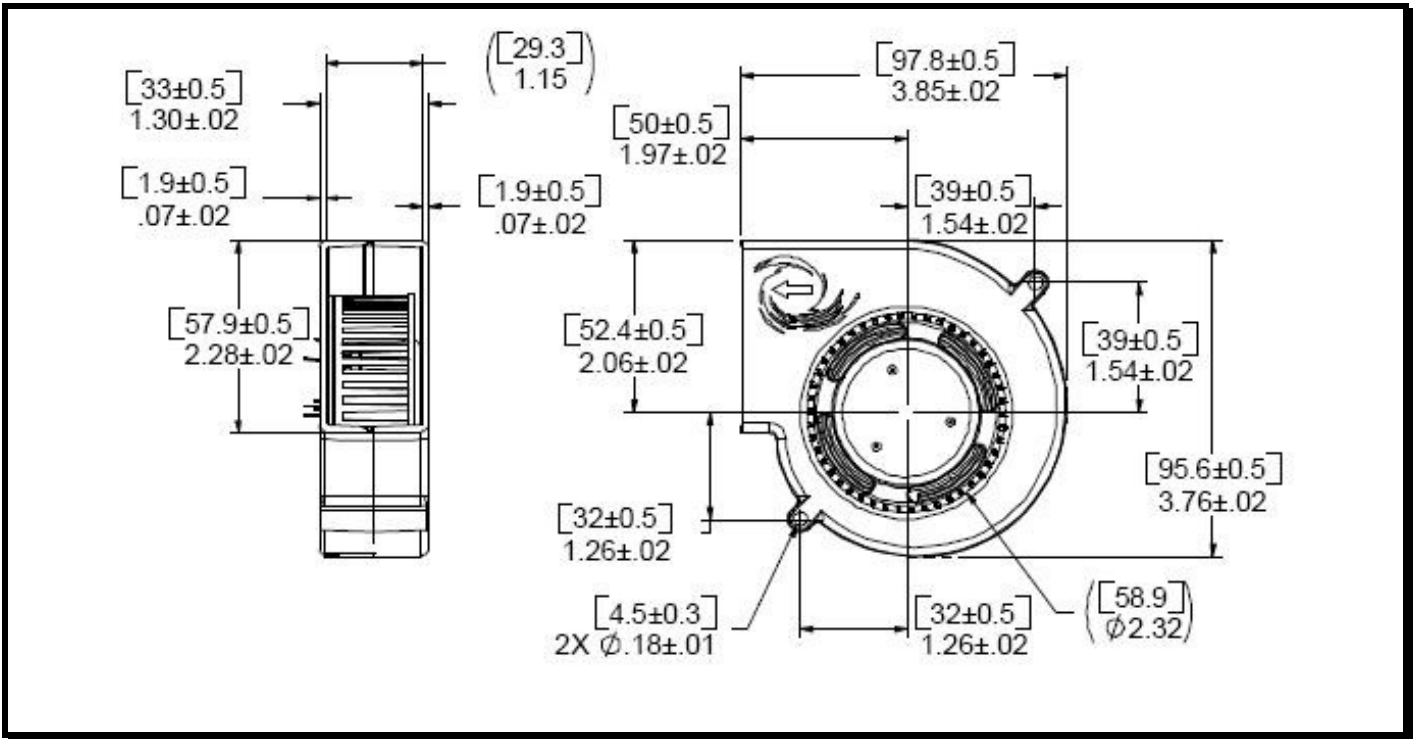
Preliminary



Model Number: AMD12K3E  
Part Number: 040715

April 11, 2007

## Mechanical Drawing:



### Motor:

Nominal Voltage	= 12 VDC
Operating Voltage Range	= 7 – 13.5 VDC
Nominal Running Current	= 1.3 amps
Locked Rotor Current	= TBD amps
Running Power	= 15 watts
Average Speed	= 4400 RPM
Bearings	= Ball
Air Flow	= 35.5 CFM
Static Pressure	= 1.7 (in/H <sub>2</sub> O)
Acoustic	= TBD
Inlet Impeller Rotation:	Counter Clockwise

### Construction:

Venturi:	Plastic, Black, UL 94V-0
Propeller:	Plastic, Black, UL 94V-0

### Agency Approvals:

Pending

### Life Expectancy:

TBD

### Additional Features:

- Brushless DC Motor
- Electronic Locked Rotor Protection
- Polarity Protected
- Automatic Restart Capability
- Operating Temperature: -10°C to 70°C
- Storage Temperature: -40°C to 85°C

### Tachometer Specifications:

Output:	Open Collector
Ic:	20 mA. Max
Vcc:	13.5 VDC Max
Pulses per Revolution:	2
Isolated:	No

### Termination:

12" Leadwires, 22 AWG, UL 1061

- Red - Power (+)
- Black - Return (-)
- Blue/White – Tachometer (Output)