

SPECIFICATIONS

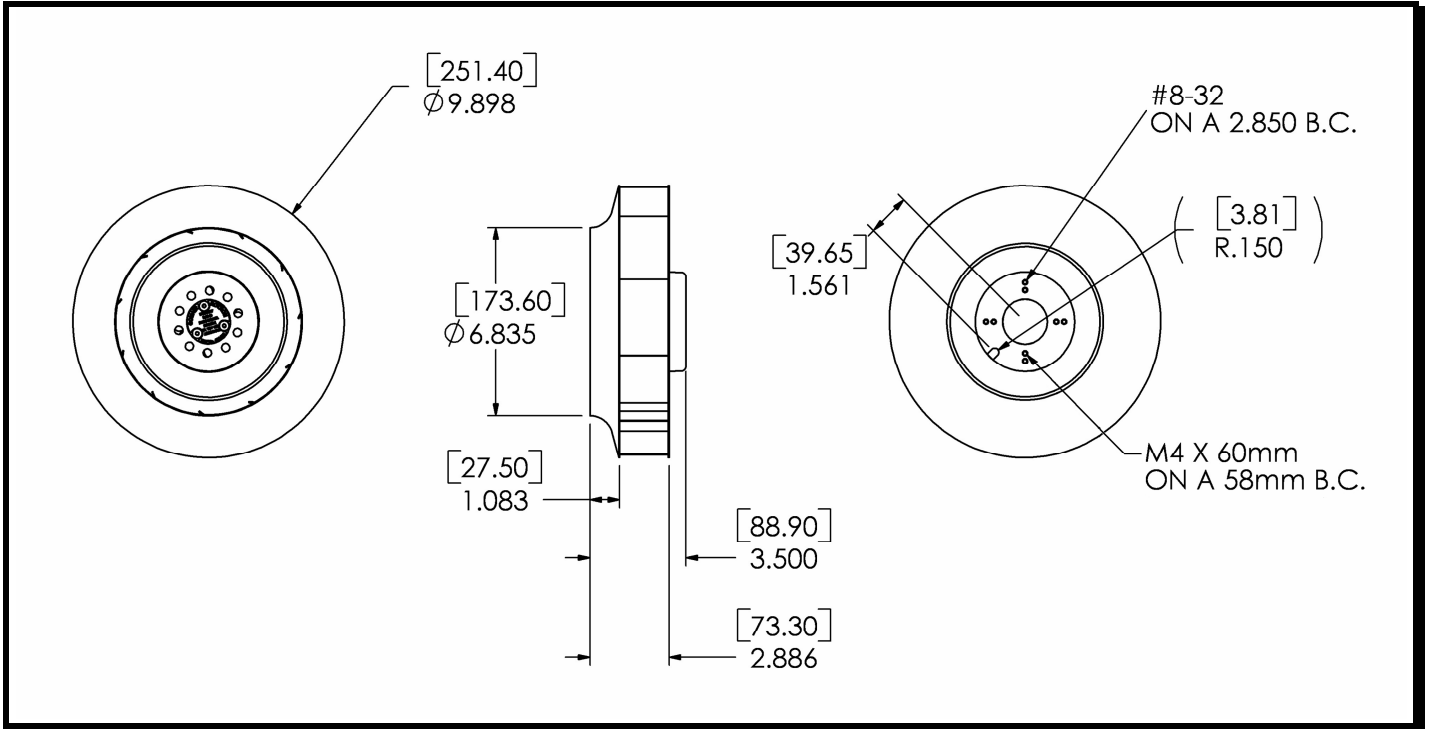
"Preliminary"



Model Number: DDE983524Z1E2
Part Number: 040981

April 11, 2007

Mechanical Drawing:



Motor:

Nominal Voltage = 24 VDC
Operating Voltage Range = 16 - 32 VDC
Nominal Running Current = 9 amps
Locked Rotor Current = TBD amps
Running Power = 216 watts
Average Speed = 3240 RPM
Bearings = Ball
Air Flow = 1005 CFM
Static Pressure = 3.72 (in/H₂O)
Acoustic = TBD

Construction:

Motor Base: Die Cast Aluminum
Propeller: Sheet Metal, Galvanized

Agency Approvals:

Pending

Life Expectancy:

TBD

Additional Features:

Brushless DC Motor
Electronic Locked Rotor Protection
Polarity Protected
Automatic Restart Capability
Operating Temperature: -10°C to 70°C
Storage Temperature: -40°C to 85°C
Programmable (PWM)

Tachometer Specifications:

Output: Open Collector
Ic: 20 mA. Max
Vcc: 32 VDC Max
Pulses per Revolution: 2
Isolated: No

Termination:

12" Leadwires, 22 AWG, UL 1061
Red - Power (+)
Black - Return (-)
Blue/White - Tachometer (Output)
Yellow - Program (Input)