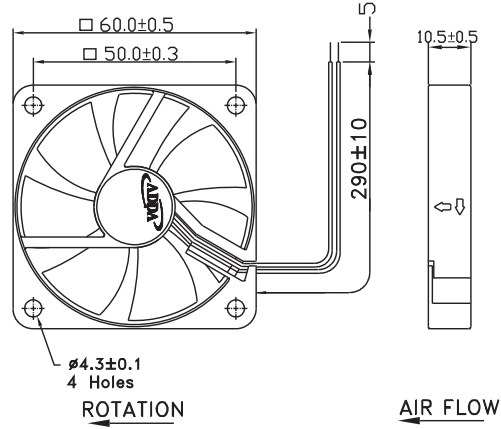


# AD6010(7) SERIES

## External Dimensions



Frame: Plastic(UL:94V-0)  
 Impeller: Plastic(UL:94V-0)  
 Lead wire: UL1007AWG26

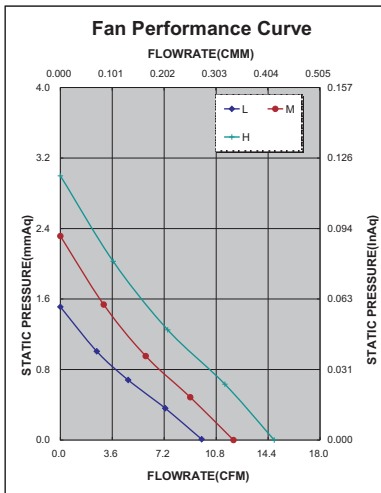
## Specifications(Nominal)

\*:Noise is measured at the distance of one (1) meter from the axis of intake.

Bearing type: ⊙=Ball ※=Sleeve ○=1B1S ●=Hypro bearing

Frame size (mm)	Model No.	Bearing System Type	Rated Voltage (VDC)	Current (A)	Power (W)	Rated Speed (rpm)	Maximum AirFlow (CMM)	Maximum AirFlow (CFM)	Maximum Pressure (InAq)	Maximum Pressure (mmAq)	*Noise Level (dB/A)	Weight (g)
60x60x10	AD0605LB-G70(T)	⊙ ※ ○ ●	5	0.11	0.55	3500	0.276	9.756	0.059	1.510	23.0	23.0
	AD0605MB-G70(T)	⊙ ※ ○ ●	5	0.13	0.65	4200	0.341	12.000	0.090	2.286	28.0	
	AD0612LB-G70(T)	⊙ ※ ○ ●	12	0.09	1.08	3500	0.276	9.756	0.059	1.510	23.0	
	AD0612MB-G70(T)	⊙ ※ ○ ●	12	0.11	1.32	4200	0.341	12.000	0.090	2.286	28.0	
	AD0612HB-G70(T)	⊙ ※ ○ ●	12	0.12	1.44	4900	0.419	14.820	0.118	2.997	35.0	

Specifications subject to change without notice.



\*Motor protective circuit and third lead wire functions

0	1	2	3	4	6	7	8	9	A	B
✓					✓					

\*Safety approvals

✓	✓		✓	✓