

Polyester Modular Enclosures - NEMA 4X

PB Series - Clear Cover



**Panel
Sold
Separately**



Corrosion Resistant Junction Boxes

Application

- Designed for use as insulated instrument enclosures, electric, control housings, electrical junction boxes or terminal wiring enclosures.
- Transparent cover provides visibility of inner components without exposure to the environment.
- Provides outstanding insulation and protection where equipment may be hosed down or be very wet.
- Ideal in applications with high temperatures or highly corrosive environments.
- High UV resistance is ideal for outdoor installations.

Standards

- UL/cUL 508 Type 1, 2, 3, 4, 4X, 12 & 13
- **Complies with**
 - NEMA 1, 2, 3, 3R, 3S, 4, 4X, 12, 13
 - IEC 60529, IP66

Construction

- Base is constructed of hot molded fiberglass reinforced polyester and has a clear polycarbonate lid.
- Self-extinguishing materials.
- Sealable slotted screws are provided to close the enclosure.
- M6 screws are provided for attaching inner panels or other equipment.
- Fully gasketed lids.
- Operating temperatures between -30°C and 120°C (-22°F to 248°F).
- Dielectric rigidity > 5kV insulating resistance > 5 MW.

Finish

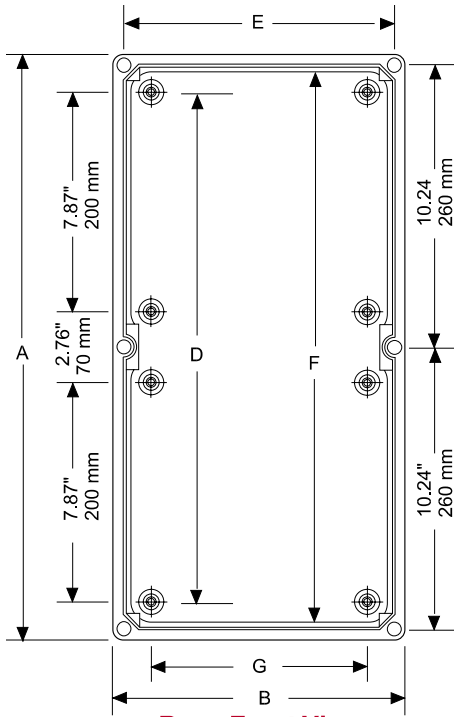
- Fiberglass polyester base is finished in RAL 7032 beige.
- Optional inner panels are available in white powder coated finished steel or unfinished aluminum.

Accessories

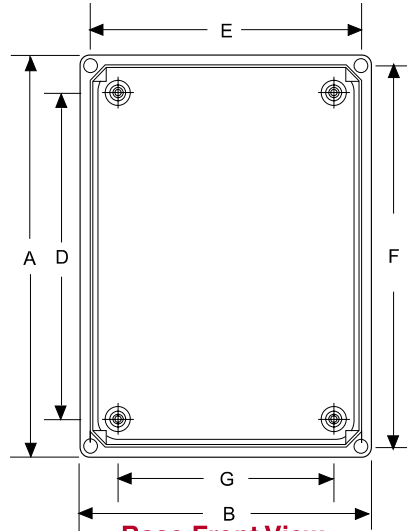
- External hinges...*see page 102*
- Mounting feet...*see page 103*
- Painted steel inner panels...*see page 102*
- PB replacement screws...*see page 103*
- Unfinished aluminum inner panels...*see page 102*

Polyester Modular Enclosures - NEMA 4X

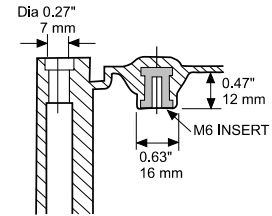
PB Series - Clear Cover



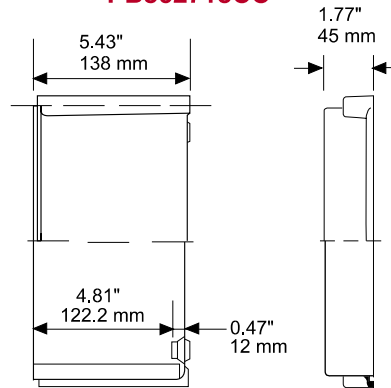
Base Front View
PB542718CC
PB543618CC



Base Front View
PB271818CC,
PB272718CC,
PB362718CC

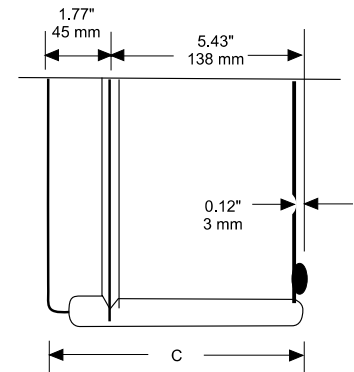


Cross Section of
Base Inside Corner
with M6 Insert



Base Side
View

Lid Side
View



Assembled
Side View

Corrosion Resistant Junction Boxes

Clear Lid Part No.	Overall Dimensions								Opt. Steel Inner Panel ¹	Inner Panel Dimensions	Ship Wt. lbs
	A	B	C	D	E	F	G				
PB271818CC	inch mm	10.6 270	7.1 180	7.1 180	7.9 200	6.3 159	9.8 249	4.3 110	PBP2718	9.06 x 5.51 230 x 140	3
PB272718CC	inch mm	10.6 270	10.6 270	7.1 180	7.9 200	9.8 249	9.8 249	7.9 200	PBP2727	9.06 x 9.06 230 x 230	4
PB362718CC	inch mm	14.2 360	10.6 270	7.1 180	11.4 290	9.8 249	13.3 339	7.9 200	PBP3627	12.60 x 9.06 320 x 230	4
PB542718CC	inch mm	21.3 540	10.6 270	7.1 180	18.5 470	9.8 249	20.4 519	7.9 200	PBP5427	19.69 x 9.06 500 x 230	6
PB543618CC	inch mm	21.3 540	14.2 360	7.1 180	18.5 470	13.3 339	20.4 519	11.4 290	PBP5436	19.69 x 12.60 500 x 320	10

¹ For aluminum panel...see page 102.

Inches are for reference only. Use metric for precise measurements.