

MCR-FL-T-LP-I-EX

Order No.: 2864574



<http://eshop.phoenixcontact.de/phoenix/treeViewClick.do?UID=2864574>

MCR head-mounted temperature transducers: Programmable loop-powered temperature transducers. Resistance thermometers, thermocouples, resistance-type sensors and voltage sensors.



Commercial data	
GTIN (EAN)	
sales group	H514
Pack	1 pcs.
Customs tariff	85437090
Catalog page information	Page 462 (IF-2011)

<http://www.download.phoenixcontact.com>
Please note that the data given here has been taken from the online catalog. For comprehensive information and data, please refer to the user documentation. The General Terms and Conditions of Use apply to Internet downloads.

Technical data	
Input data	
Configurable/programmable	Yes, programmable
Sensor types (RTD) that can be used	Pt, Ni (100, 500, 1000); min. measurement range 10 K
Sensor types that can be used (TC)	B, C, D, E, J, K, L, N, R, S, T, U; min. measurement range 50 K/500 K
Connection method	2, 3, 4-wire
Input signal range	10 Ω ... 400 Ω (min. measurement range 10 Ω)
	10 Ω ... 2000 Ω (min. measurement range 100 Ω)
	-10 mV ... 100 mV (min. measurement range 5 mV)

Output data

Signal output	Current output
Current output signal	4 mA ... 20 mA
	20 mA ... 4 mA
Max. current output signal	≤ 23 mA
Output current with short-circuit	≤ 3.6 mA or ≥ 21 mA (adjustable, not for thermocouples)
Output current with wire break	≤ 3.6 mA or ≥ 21 mA (adjustable)
Output current range with overrange/underrange	3.8 mA ... 20.5 mA
Load/output load current output	≤ 520 Ω (At $U_v = 24 \text{ V}$; $U_{\text{supply}} - 12 \text{ V} / 0.023 \text{ A}$)

Power supply

Name	Loop-powered
Supply voltage range	12 V DC ... 30 V DC
Max. current consumption	< 3.5 mA

Connection data

Conductor cross section solid min.	0.2 mm ²
Conductor cross section solid max.	2.5 mm ²
Conductor cross section stranded min.	0.2 mm ²
Conductor cross section stranded max.	2.5 mm ²
Conductor cross section AWG/kcmil min.	24
Conductor cross section AWG/kcmil max	14
Stripping length	8 mm
Screw thread	M3
Connection method	Pluggable screw connection
Tightening torque, min	0.5 Nm
Tightening torque max	0.6 Nm

General data

Step response (10-90%)	< 2 s
Pickup delay	4 s
Configuration	Using MCR-PI-CONF-WIN configuration software package
Width	12.5 mm
Height	99 mm
Depth	114.5 mm
Inflammability class acc. to UL 94	V0
Standards/regulations	NAMUR recommendation NE 21

Housing material	Polyamide PA non-reinforced
Degree of protection	IP20
Color	green
Line monitoring	NE 43
Conformance	CE-compliant
ATEX	Ex II 2(1) G Ex ia IIC T4...T6
UL, USA / Canada	cULus

Safety data

Max. voltage U_o	4.4 V DC
Max. current I_o	9.6 mA
Max. power P_o	10.6 mW
Max. ambient temperature	T4 = 85 °C, T5 = 65 °C, T6 = 50 °C
Gas group	II A
Max. external inductivity L_o	100 mH
Max. external capacity C_o	12 μ F
Gas group	II B
Max. external inductivity L_o	100 mH
Max. external capacity C_o	12 μ F
Gas group	II C
Max. external inductivity L_o	100 mH
Max. external capacity C_o	2.4 μ F
Safety-related maximum voltage U_m	250 V

Certificates / Approvals



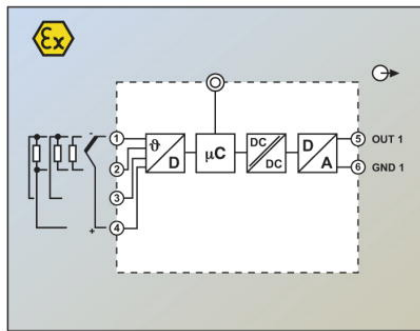
Certification	GOST
Certification Ex:	CUL-EX LIS, PTB, UL-EX LIS

Accessories

Item	Designation	Description
Cable/conductor		
2881078	CM-KBL-RS232/USB	Connecting cable D-9-SUB to USB, with adapter D-9-SUB to D-25-SUB.
2864590	MCR-PAC-T	Software adapter cable, 2.4 m for programming MCR-...-LP-...- and MCR-...-HT-... modules
General		
2814799	MCR/PI-CONF-WIN	PI/MCR configuration software, for programming the PI/Ex-RTD..., PI/Ex-THC..., MCR-T-..., MCR-PSP-..., MCR-f... and MCR-s...modules

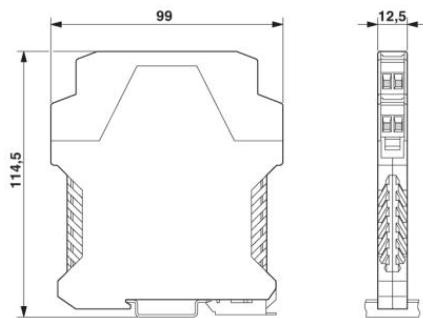
Diagrams/Drawings

Block diagram



Block diagram MCR-FL-T-LP-I-EX

Dimensioned drawing



Address

PHOENIX CONTACT Inc., USA
586 Fulling Mill Road
Middletown, PA 17057, USA
Phone (800) 888-7388
Fax (717) 944-1625
<http://www.phoenixcon.com>



© 2011 Phoenix Contact
Technical modifications reserved;