

Series HRS100

Hall Effect Rotary Position Sensor



The HRS100 Hall Effect Rotary Position Sensor provides angular position information for a variety of sensing and control applications in the automotive, marine, truck, off-road, industrial instrumentation, aerospace and rail industries. The use of magnetically coupled information in place of a mechanical wiper assembly provides a long life, cost effective solution for harsh environments that include temperature, vibration, dither, moisture and dirt. Standard linearity of 2% and a life rating of 50 million cycles makes the HRS100 the sensor of choice for harsh or demanding applications. For testing and prototyping, a standard catalog version, model HRS100SSAB090, has been configured as a stock item. For quantity driven OEM applications, several options are available as shown on the custom configuration selection matrix.

clarostat

APPLICATIONS:

MARINE:

- Throttle position
- Outboard motor position
- Inboard lever control
- Control position:
 - Rudder position
 - Trim tab and plane position
 - Drive tilt and drive gimbal position
 - Auto pilot feed back
 - Drive by wire systems
 - Control and position feedback systems

AUTOMOTIVE:

- Foot pedal position
- Throttle position
- Steering position
- Suspension system position
- Seat position
- Mirror position

FORKLIFT - INDUSTRIAL TRUCK - FARM EQUIPMENT:

- Throttle/speed control (forward, neutral, reverse)
- Foot pedal position
- Lift and shuttle position and control
- Tilt position
- Gimbal position and control
- Steering position

MEDICAL INSTRUMENTATION:

- Manipulator arm position




Sensor Systems

Series HRS100 Hall Effect Rotary Position Sensor

SPECIFICATIONS

MECHANICAL

Housing:	Stainless Steel O.D.: 1.094 ± .015 Depth: 598 ± .015 depth FMS
Bushing:	3/8-32, .375 FMS Includes C-Ring
Shaft:	Slotted .249 ± .001 .75" FMS
AR Lugs:	2 at 180° on .531 radius, .125W x .128 FMS
Style:	Solder lugs
Mechanical angle:	90° ±2° and 180° ±2°*
Rotational Life:	50mm minimum
Rotational Torque:	2.0 in oz max. at 25°C
Stop Torque:	5 inch pounds
Push Out:	20 pounds minimum
Pull Out:	10 pounds minimum

ELECTRICAL

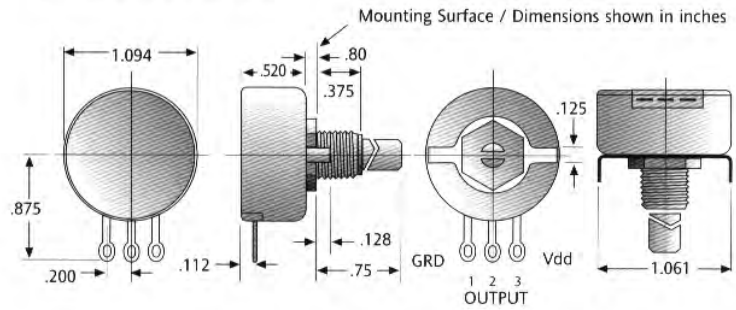
Electrical Angle:	90° ±2°, 180° ±2° Custom specific angles available*
Electrical Output:	5% - 95% of applied Vdd, approximate (programmable)
Linearity:	±2%
Output current:	2ma maximum (source or sink)
Over voltage	
Protection:	18 VDC maximum
Supply Voltage:	5 VDC ±10%* (output ratiometric to supply)
Supply Current:	5ma. typical
ESD sensitivity:	±7KV maximum (human body model) Standard electronic assembly practices should be observed
EMI:	30 V/m, 10 Khz to 1000 Mhz at 3 meters

ENVIRONMENTAL

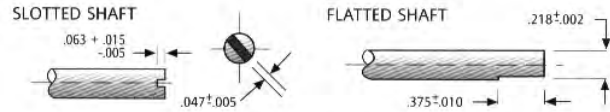
Low Temperature Operation:	-40°C
High Temperature Operation:	85°C
Storage Temp:	105°C maximum
Shock:	50 Gs, 11ms
Vibration:	15Gs, 10 to 2000 Hz

*Consult Factory for Custom OEM configurations

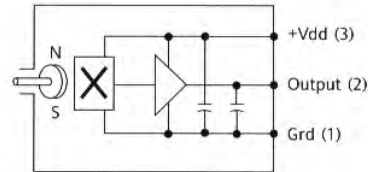
DIMENSIONS



SHAFT DIMENSIONS



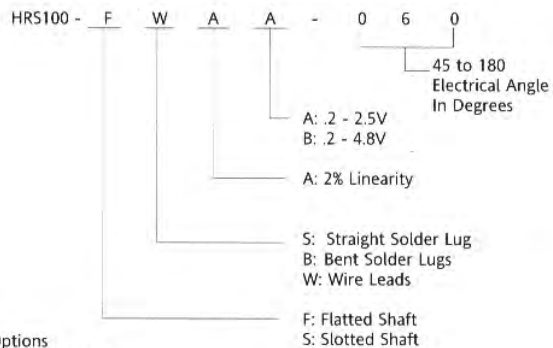
EQUIVALENT ELECTRICAL SCHEMATIC



ORDERING INFORMATION

Standard Model: HRS100SSAB-090 - All specifications are per this data sheet.
See the matrix below for definition of characters.
Custom Models: The following options are available for custom OEM Applications.
Consult factory for details and minimum quantity requirements.

CUSTOM CONFIGURED OEM SELECTION MATRIX*



Non-Coded Options

Shaft Length • No Shaft Seal
Mechanical Angle • 1 AR Lug

*Consult Factory for custom OEM Configurations



1 800.872.0042
FAX: 800.872.3333

12055 ROJAS DRIVE
SUITE K
EL PASO, TEXAS, USA 79936

WWW.INVENSYSENSORS.COM

GENERAL DISCLAIMER: Invensys Sensor Systems reserves the right to make changes to its products and their specifications at any time, without prior notice to anyone. Invensys Sensor Systems has made every effort to ensure accuracy of the information contained herein but can assume no responsibility for inadvertent errors, omissions, or subsequent changes. Invensys Sensor Systems does not assume any responsibility for the use of any circuit or other information described within this document, and further, makes no representations of any kind that the circuit and information described herein is free of infringement of any intellectual property right or any other right of third parties. No express or implied licenses of any Invensys Sensor System intellectual property right is granted by implication or otherwise.

Printed in USA 10/00 - 5K