

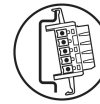
# MINI MCR-SL-PT100-LP-NC

Order No.: 2810308




<http://eshop.phoenixcontact.de/phoenix/treeViewClick.do?UID=2810308>

Configurable loop-powered temperature measuring transducer for Pt 100 temperature sensors for the -150°C ... 300°C



## Commercial data

GTIN (EAN)	 4 046356 134668
Note	Made-to-order
sales group	H523
Pack	1 pcs.
Customs tariff	85437090
Catalog page information	Page 363 (IF-2011)

## Product notes

WEEE/RoHS-compliant since:  
04/28/2006



<http://www.download.phoenixcontact.com>  
Please note that the data given here has been taken from the online catalog. For comprehensive information and data, please refer to the user documentation. The General Terms and Conditions of Use apply to Internet downloads.

## Technical data

### Input data

Configurable/programmable	Yes, unconfigured
Sensor types (RTD) that can be used	Pt 100 (IEC 60751/EN 60751)
Sensor input current	1 mA (constant)

---

Temperature measuring range	-150 °C ... 300 °C (can be set via DIP switches)
Connection method	2, 3, 4-wire
<b>Output data</b>	
Configurable/programmable	Yes, unconfigured
Current output signal	4 mA ... 20 mA
	20 mA ... 4 mA
Max. output current	23 mA (output limit)
Load/output load current output	$((U_{\text{supply}} - 12 \text{ V}) / 22 \text{ mA})$
<b>Power supply</b>	
Name	Loop-powered
Supply voltage range	12 V DC ... 30 V DC
Max. current consumption	< 3.5 mA (without signal current)
Power consumption	< 42 mW
<b>Connection data</b>	
Connection method	Screw connection
Conductor cross section solid min.	0.14 mm <sup>2</sup>
Conductor cross section solid max.	2.5 mm <sup>2</sup>
Conductor cross section stranded min.	0.2 mm <sup>2</sup>
Conductor cross section stranded max.	2.5 mm <sup>2</sup>
Conductor cross section AWG/kcmil min.	26
Conductor cross section AWG/kcmil max	12
Stripping length	12 mm
Screw thread	M3
<b>General data</b>	
Width	6.2 mm
Height	93.1 mm
Depth	102.5 mm
Maximum temperature coefficient	< 0.02 %/K
Linearity error	< 0.05 % (for full measuring range)
Ambient temperature (operation)	-20 °C ... 65 °C
Ambient temperature (storage/transport)	-40 °C ... 85 °C
Degree of protection	IP20
Electrical isolation	Basic insulation according to EN 61010

---

Surge voltage category	II
Pollution degree	2
Rated insulation voltage	50 V AC/DC
Test voltage, input/output/supply	1.5 kV (50 Hz, 1 min.)
Electromagnetic compatibility	Conformance with EMC directive 89/336/EC
Noise emission	EN 61000-6-4
Noise immunity	EN 61000-6-2:2005
Color	green
Housing material	PBT
Mounting position	Any
Conformance	CE-compliant
ATEX	Ex II 3 G Ex nA II T4 X
UL, USA / Canada	UL 508 Recognized

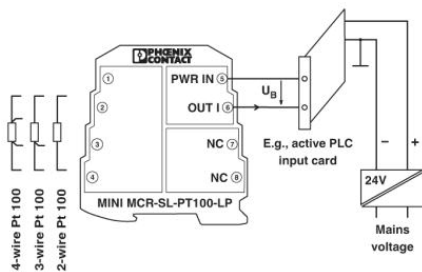
### Certificates / Approvals



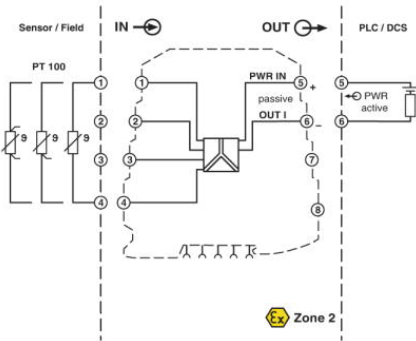
Certification	CUL, UL
Certification Ex:	PxC-EX

### Diagrams/Drawings

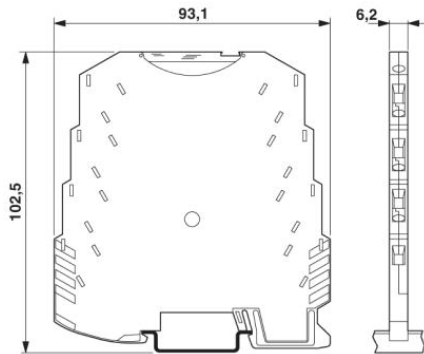
#### Application drawing



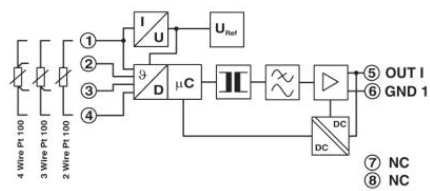
Block diagram



Dimensioned drawing



Circuit diagram



**Address**

PHOENIX CONTACT Inc., USA  
586 Fulling Mill Road  
Middletown, PA 17057, USA  
Phone (800) 888-7388  
Fax (717) 944-1625  
<http://www.phoenixcon.com>



© 2011 Phoenix Contact  
Technical modifications reserved;