

MCR-SL-PT100-LP-I


Order No.: 2864558



<http://eshop.phoenixcontact.de/phoenix/treeViewClick.do?UID=2864558>

MCR temperature transducers: programmable loop-powered temperature transducers for Pt 100 resistance thermometers



Commercial data	
GTIN (EAN)	 4 017918 899813
sales group	H513
Pack	1 pcs.
Customs tariff	85437090
Catalog page information	Page 417 (IF-2011)

<http://www.download.phoenixcontact.com>
Please note that the data given here has been taken from the online catalog. For comprehensive information and data, please refer to the user documentation. The General Terms and Conditions of Use apply to Internet downloads.

Technical data	
Input data	
Configurable/programmable	Yes, programmable
Sensor types (RTD) that can be used	Pt 100 ; minimum measurement range 10 K
Connection method	2, 3, 4-wire
Output data	
Output name	Current output
Current output signal	4 mA ... 20 mA
	20 mA ... 4 mA
Output current with wire break	≤ 3.6 mA or ≥ 21 mA (adjustable)

Output current with short-circuit	$\leq 3.6 \text{ mA}$ or $\geq 21 \text{ mA}$ (adjustable)
Output current range with overrange/underrange	$\leq 20.5 \text{ mA}$ / $\geq 3.8 \text{ mA}$ (linear increase/decrease)
Load/output load current output	(Max ($V_{\text{supply}} - 12 \text{ V}$) / 0.023 A (current output))

Power supply

Name	Loop-powered
Supply voltage range	12 V DC ... 35 V DC
Max. current consumption	< 3.5 mA

Connection data

Connection method	Pluggable screw connection
Conductor cross section solid min.	0.2 mm ²
Conductor cross section solid max.	2.5 mm ²
Conductor cross section stranded min.	0.2 mm ²
Conductor cross section stranded max.	2.5 mm ²
Conductor cross section AWG/kcmil min.	24
Conductor cross section AWG/kcmil max	24
Stripping length	8 mm
Screw thread	M3

General data

Width	12.5 mm
Height	99 mm
Depth	114.5 mm
Step response (10-90%)	< 2 s
Pickup delay	4 s
Ambient temperature (operation)	-40 °C ... 85 °C
Degree of protection	IP20
Test voltage input/output	2 kV (50 Hz, 1 min.)
Noise emission	EN 61 326-1 (IEC 1326) and NAMUR EN 21
Noise immunity	EN 61 326-1 (IEC 1326) and NAMUR EN 21
Color	green
Housing material	Polyamide PA non-reinforced
Mounting position	Any
Configuration	Using MCR-PI-CONF-WIN configuration software package
Conformance	CE-compliant
UL, USA / Canada	Class I, Div. 2, Groups A, B, C, D

Certificates / Approvals



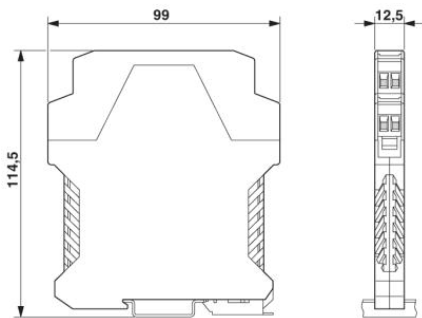
Certification CUL, GOST, UL
 Certification Ex: CUL-EX LIS, UL-EX LIS

Accessories

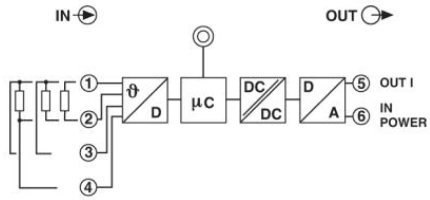
Item	Designation	Description
Cable/conductor		
2881078	CM-KBL-RS232/USB	Connecting cable D-9-SUB to USB, with adapter D-9-SUB to D-25-SUB.
2864590	MCR-PAC-T	Software adapter cable, 2.4 m for programming MCR-...-LP-...- and MCR-...-HT-... modules
General		
2814799	MCR/PI-CONF-WIN	PI/MCR configuration software, for programming the PI/Ex-RTD..., PI/Ex-THC..., MCR-T-..., MCR-PSP-..., MCR-f... and MCR-s...modules

Diagrams/Drawings

Dimensioned drawing



Circuit diagram



Address

PHOENIX CONTACT Inc., USA
586 Fulling Mill Road
Middletown, PA 17057, USA
Phone (800) 888-7388
Fax (717) 944-1625
<http://www.phoenixcon.com>



© 2011 Phoenix Contact
Technical modifications reserved;