

# MCR-FL-T-LP-I


Order No.: 2864561



<http://eshop.phoenixcontact.de/phoenix/treeViewClick.do?UID=2864561>

MCR temperature measuring transducer: programmable, loop-powered, for resistance thermometers, thermocouples, resistance-type sensors and voltage sensors.



Commercial data	
GTIN (EAN)	 4 017918 899820
sales group	H513
Pack	1 pcs.
Customs tariff	85437090
Catalog page information	Page 416 (IF-2011)

<http://www.download.phoenixcontact.com>  
Please note that the data given here has been taken from the online catalog. For comprehensive information and data, please refer to the user documentation. The General Terms and Conditions of Use apply to Internet downloads.

Technical data	
<b>Input data</b>	
Configurable/programmable	Yes, programmable
Sensor types (RTD) that can be used	Pt, Ni (100, 500, 1000); minimum measurement range 10 K
Sensor types that can be used (TC)	B, C, D, E, J, K, L, N, R, S, T, U; minimum measurement range 50 K/500 K
Linear resistance measuring range	(Resistance-type sensor from 10 Ω to 400 Ω and from 10 Ω to 2000 Ω; minimum measurement range 10 Ω/100 Ω)
Connection method	2, 3, 4-wire

---

**Output data**

Output name	Current output
Current output signal	4 mA ... 20 mA
	20 mA ... 4 mA
Output current with wire break	≤ 3.6 mA or ≥ 21 mA (adjustable)
Output current with short-circuit	≤ 3.6 mA or ≥ 21 mA (adjustable, not for thermocouples)
Output current range with overrange/underrange	≤ 20.5 mA / ≥ 3.8 mA (linear increase/decrease)
Load/output load current output	(Max (V <sub>supply</sub> - 12 V) / 0.023 A (current output))

**Power supply**

Name	Loop-powered
Supply voltage range	12 V DC ... 35 V DC
Max. current consumption	< 3.5 mA

**Connection data**

Connection method	Pluggable screw connection
Conductor cross section solid min.	0.2 mm <sup>2</sup>
Conductor cross section solid max.	2.5 mm <sup>2</sup>
Conductor cross section stranded min.	0.2 mm <sup>2</sup>
Conductor cross section stranded max.	2.5 mm <sup>2</sup>
Conductor cross section AWG/kcmil min.	24
Conductor cross section AWG/kcmil max	14
Stripping length	8 mm
Screw thread	M3

**General data**

Width	12.5 mm
Height	99 mm
Depth	114.5 mm
Step response (10-90%)	< 2 s
Pickup delay	4 s
Ambient temperature (operation)	-40 °C ... 85 °C
Degree of protection	IP20
Test voltage input/output	2 kV (50 Hz, 1 min.)
Noise emission	EN 61 326-1 (IEC 1326) and NAMUR EN 21
Noise immunity	EN 61 326-1 (IEC 1326) and NAMUR EN 21
Color	green

Housing material	Polyamide PA non-reinforced
Mounting position	Any
Configuration	Using MCR-PI-CONF-WIN configuration software package
Conformance	CE-compliant
UL, USA / Canada	Class I, Div. 2, Groups A, B, C, D

### Certificates / Approvals



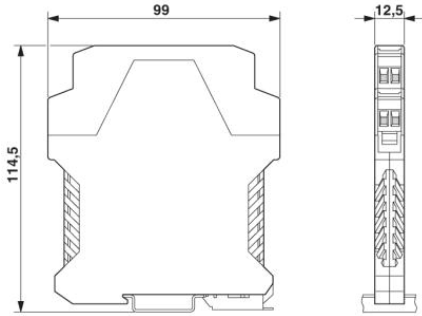
Certification	CUL, GOST, UL
Certification Ex:	CUL-EX LIS, UL-EX LIS

### Accessories

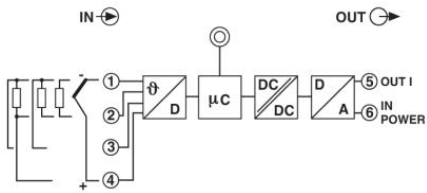
Item	Designation	Description
<b>Cable/conductor</b>		
2881078	CM-KBL-RS232/USB	Connecting cable D-9-SUB to USB, with adapter D-9-SUB to D-25-SUB.
2864590	MCR-PAC-T	Software adapter cable, 2.4 m for programming MCR-...-LP-...- and MCR-...-HT-... modules
<b>General</b>		
2814799	MCR/PI-CONF-WIN	PI/MCR configuration software, for programming the PI/Ex-RTD..., PI/Ex-THC..., MCR-T-..., MCR-PSP-..., MCR-f... and MCR-s...modules

## Diagrams/Drawings

### Dimensioned drawing



### Circuit diagram



**Address**

PHOENIX CONTACT Inc., USA  
586 Fulling Mill Road  
Middletown, PA 17057, USA  
Phone (800) 888-7388  
Fax (717) 944-1625  
<http://www.phoenixcon.com>



© 2011 Phoenix Contact  
Technical modifications reserved;