

Hall Effect Current Sensors

3 to 30 Amp Applications — Open Loop



- Compact PCB Mount Design
- Voltage Output type
- Withstanding Voltage of 2500 Vrms
- Very High Linearity
- ±15V Supply Voltage
- CE EN50178 (pending)

Specifications Measured at 25°C, RL=10KΩ, Vcc=±15V

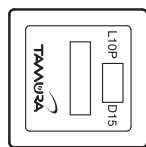
| Specification | | L10P003D15 | L10P005D15 | L10P010D15 | L10P015D15 | L10P020D15 | L10P025D15 | L10P030D15 |
|---|------------------|--|------------|------------|------------|------------|------------|------------|
| Nominal Primary DC Current | (If) | 3A | 5A | 10A | 15A | 20A | 25A | 30A |
| Maximum Current | If(max) | 9A | 15A | 30A | 45A | 60A | 75A | 90A |
| Output Voltage @ If | V _{OUT} | 4V | | | | | | |
| Offset Voltage | V _{OE} | <± 40mV | | | | | | |
| Accuracy @ If ² | X | <± 1% of If | | | | | | |
| Output Linearity ² (0..If Max) | E _L | <± 1% of If | | | | | | |
| Power Supply | V _{CC} | ± 15V ±5% | | | | | | |
| Response Time | T _r | <5μs | | | | | | |
| Current Consumption | I _c | 12mA typ | | | | | | |
| Output Temperature Characteristic | TCE _G | <± 0.1% / °C | | | | | | |
| Offset Temperature Characteristic | V _{OT} | ± 1.2mV / °C typ | | | | | | |
| Hysteresis Allowance @ If=0 | V _{OH} | ≤ ± 25mV | | | | | | |
| Withstand Voltage (50/60Hz) | V _d | 2,000VACrms for 1 minute (Sensing Current 0.5mA) | | | | | | |
| Insulation Resistance @ 500VDC | R _{IS} | ≥ 500MΩ | | | | | | |
| Operating Bandwidth ¹ (-3dB) | f | DC - 50kHz | | | | | | |
| Operating Temperature | T _A | -10 - +80°C | | | | | | |
| Storage Temperature | T _S | -20 - +85°C | | | | | | |

¹ Small signal only; derating needed to avoid excessive core heating at high frequency

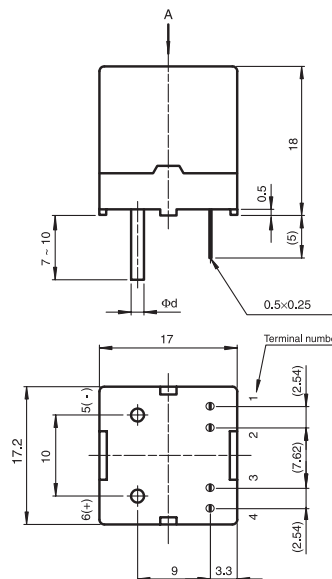
² Without offset

Package & Weight Information

| QTY/Box | Weight/each(g) |
|---------|----------------|
| 100 | 10 |



View A



| Types | Rated current | φ d |
|------------|---------------|-------|
| L10P003D15 | 3A | φ 0.5 |
| L10P005D15 | 5A | φ 0.6 |
| L10P010D15 | 10A | φ 0.8 |
| L10P015D15 | 15A | φ 1.2 |
| L10P020D15 | 20A | φ 1.6 |
| L10P025D15 | 25A | φ 1.6 |
| L10P030D15 | 30A | φ 1.6 |

| Terminal number | |
|-----------------|-------|
| 1 | OUT |
| 2 | +15V |
| 3 | - 15V |
| 4 | GND |
| 5 | - IN |
| 6 | +IN |

TAMURA CORPORATION

43352 Business Park Drive. | P.O. Box 892230 Temecula, CA 92589-2230 | www.tamuracorp.com

USA

Tel: 800-872-6624
Fax: 909-676-9482

Japan

Tel: 81 (0)3 3978-2111
Fax: 81 (0)3 3923-0230

United Kingdom

Tel: 44 (0) 1380 731 700
Fax: 44 (0) 1380 731 702

Hong Kong

Tel: 852-2389-4321
Fax: 852-2341-9689

3 to 30 Amp Applications — Open Loop

- Compact PCB Mount Design
- Voltage Output type
- Withstanding Voltage of 2500 Vrms
- Very High Linearity
- 5V Supply Voltage
- CE EN50178 (pending)



Specifications Measured at 25°C, RL=10KΩ, Vcc=+5V Vref = Vcc/2

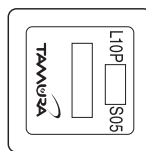
| Specification | | L10P003S05 | L10P005S05 | L10P010S05 | L10P015S05 | L10P020S05 | L10P025S05 | L10P030S05 |
|---|------------------|--|------------|------------|------------|------------|------------|------------|
| Nominal Primary DC Current | (If) | 3A | 5A | 10A | 15A | 20A | 25A | 30A |
| Maximum Current | If(max) | 3.75A | 6.25A | 12.5A | 18.75A | 25A | 31.25A | 37.5A |
| Output Voltage @ If | V _{OUT} | V _{ref} ± 1.5V | | | | | | |
| Offset Voltage | V _{OE} | 2.5V ± 35mV | | | | | | |
| Accuracy @ If ² | X | <± 1% of If | | | | | | |
| Output Linearity ² (0..If MAX) | E _L | ± 1% of If | | | | | | |
| Power Supply | V _{CC} | 5V ± 2% | | | | | | |
| Response Time | t _r | < 5μs | | | | | | |
| Current Consumption | I _c | 15mA typ | | | | | | |
| Output Temperature Characteristic | TCE _G | < ± 2mV / °C | | | | | | |
| Offset Temperature Characteristic | V _{OT} | ± 1.2mV / °C typ | | | | | | |
| Hysteresis Allowance @ If=0 | V _{OH} | 8mV Max | | | | | | |
| Withstand Voltage (50/60Hz) | V _d | 2,000VACrms for 1 minute (Sensing Current 0.5mA) | | | | | | |
| Insulation Resistance @ 500VDC | R _{IS} | ≥ 500MΩ | | | | | | |
| Operating Bandwidth ¹ (-3dB) | f | DC - 50kHz | | | | | | |
| Operating Temperature | T _A | -10 - +80°C | | | | | | |
| Storage Temperature | T _S | -15 - +85°C | | | | | | |

¹ Small signal only; derating needed to avoid excessive core heating at high frequency

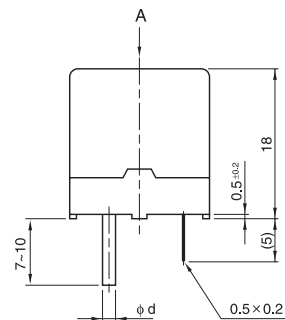
² Without offset

Package & Weight Information

| QTY/Box | Weight/each(g) |
|---------|----------------|
| 100 | 10 |

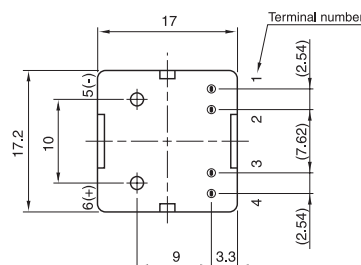


A View



| Types | Rated Current | φ d |
|------------|---------------|-------|
| L10P003S05 | 3A | φ 0.5 |
| L10P005S05 | 5A | φ 0.6 |
| L10P010S05 | 10A | φ 0.8 |
| L10P015S05 | 15A | φ 1.2 |
| L10P020S05 | 20A | φ 1.6 |
| L10P025S05 | 25A | φ 1.6 |
| L10P030S05 | 30A | φ 1.6 |

| Terminal number | |
|-----------------|-----|
| 1 | OUT |
| 2 | +Vc |
| 3 | GND |
| 4 | GND |
| 5 | -IN |
| 6 | +IN |



Note 1. Unless otherwise specified, tolerances shall be ±0.5

TAMURA CORPORATION

43352 Business Park Drive. | P.O. Box 892230 Temecula, CA 92589-2230 | www.tamuracorp.com
 USA | Japan | United Kingdom | Hong Kong
 Tel: 800-872-6624 | Tel: 81 (0)3 3978-2111 | Tel: 44 (0) 1380 731 700 | Tel: 852-2389-4321
 Fax: 909-676-9482 | Fax: 81 (0)3 3923-0230 | Fax: 44 (0) 1380 731 702 | Fax: 852-2341-9689

Hall Effect Current Sensors

3 to 30 Amp Applications — Open Loop



- Compact PCB Mount Design
- Voltage Output type
- Withstanding Voltage of 2500 Vrms
- Very High Linearity
- 12V Supply Voltage
- CE EN50178 (pending)

Specifications Measured at 25°C, RL=10KΩ, Vcc=+12V Vref = 2.5V

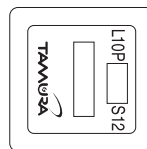
| Specification | | L10P003S12 | L10P005S12 | L10P010S12 | L10P015S12 | L10P020S12 | L10P025S12 | L10P030S12 |
|---|------------------|--|------------|------------|------------|------------|------------|------------|
| Nominal Primary DC Current | (If) | 3A | 5A | 10A | 15A | 20A | 25A | 30A |
| Maximum Current | If(max) | 3.75A | 6.25A | 12.5A | 18.75A | 25A | 31.25A | 37.5A |
| Output Voltage @ If | V _{OUT} | Vref ± 1.5V | | | | | | |
| Offset Voltage | V _{OE} | 2.5V ± 35mV | | | | | | |
| Accuracy @ If ² | X | <± 1% of If | | | | | | |
| Output Linearity ² (0..If MAX) | E _L | ± 1% of If | | | | | | |
| Power Supply | Vcc | 12V ± 5% | | | | | | |
| Response Time | t _r | <5μs | | | | | | |
| Current Consumption | Ic | <20mA | | | | | | |
| Output Temperature Characteristic | TCE _G | ± 2mV / °C max | | | | | | |
| Offset Temperature Characteristic | V _{OT} | ± 1.2mV / °C typ | | | | | | |
| Hysteresis Allowance @ If=0 | V _{OH} | 8mV max | | | | | | |
| Withstand Voltage (50/60Hz) | V _d | 2,000VACrms for 1 minute (faradic current 0.5mA) | | | | | | |
| Insulation Resistance @ 500VDC | R _{IS} | ≥ 500MΩ | | | | | | |
| Operating Bandwidth ¹ (-3dB) | f | DC - 50kHz | | | | | | |
| Operating Temperature | T _A | -10 - +80°C | | | | | | |
| Storage Temperature | T _s | -15 - +85°C | | | | | | |

¹ Small signal only; derating needed to avoid excessive core heating at high frequency

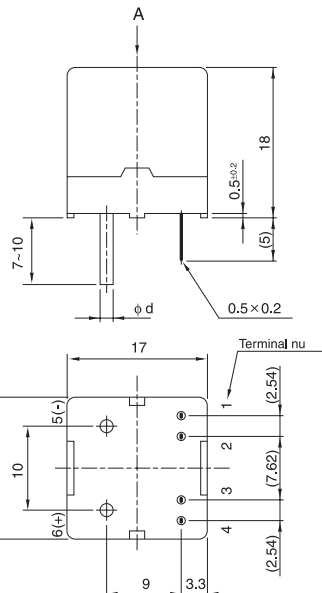
² Without offset

Package & Weight Information

| QTY/Box | Weight/each(g) |
|---------|----------------|
| 100 | 10 |



A View



Note 1. Unless otherwise specified, tolerances shall be ±0.5

| Types | Rated Current | φ d | Terminal number |
|------------|---------------|-------|-----------------|
| L10P003S12 | 3A | φ 0.5 | 1 OUT |
| L10P005S12 | 5A | φ 0.6 | 2 +Vc |
| L10P010S12 | 10A | φ 0.8 | 3 GND |
| L10P015S12 | 15A | φ 1.2 | 4 GND |
| L10P020S12 | 20A | φ 1.6 | 5 -IN |
| L10P025S12 | 25A | φ 1.6 | 6 +IN |
| L10P030S12 | 30A | φ 1.6 | |

TAMURA CORPORATION

43352 Business Park Drive. | P.O. Box 892230 Temecula, CA 92589-2230 | www.tamuracorp.com

USA

Tel: 800-872-6624
Fax: 909-676-9482

Japan

Tel: 81 (0)3 3978-2111
Fax: 81 (0)3 3923-0230

United Kingdom

Tel: 44 (0) 1380 731 700
Fax: 44 (0) 1380 731 702

Hong Kong

Tel: 852-2389-4321
Fax: 852-2341-9689

Hall Effect Current Sensors

3 to 25 Amp Applications — Open Loop

- Compact PCB Mount Design
- Voltage Output type
- Very High Linearity
- 15V Supply Voltage
- CE EN50178 (pending)



Specifications Measured at 25°C, RL=10KΩ, Vcc=+15V

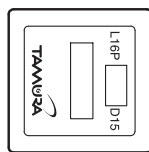
| Specification | L16P003D15 | L16P005D15 | L16P010D15 | L16P015D15 | L16P020D15 | L16P025D15 |
|--|--|------------|------------|------------|------------|------------|
| Nominal Primary DC Current (If) | 3A | 5A | 10A | 15A | 20A | 25A |
| Maximum Current If(max) | ±9 | ±15 | ±30 | ±45 | ±60 | ±75 |
| Output Voltage @ If | 4V | | | | | |
| Offset Voltage V _{OE} | < ±40mV | | | | | |
| Accuracy @ If ² | < ± 1% of If | | | | | |
| Output Linearity ² (0..If MAX) | < ± 1% of If | | | | | |
| Power Supply V _{CC} | ±15V ±5% | | | | | |
| Response Time t _r | <5μs | | | | | |
| Current Consumption I _c | ±12mA typ | | | | | |
| Output Temperature Characteristic TCE _G | <±0.1% / °C | | | | | |
| Offset Temperature Characteristic V _{OT} | ± 1.2mV / °C typ | | | | | |
| Hysteresis Allowance @ If=0 V _{OH} | <±25mV | | | | | |
| Withstand Voltage (50/60Hz) V _d | 2,000VACrms for 1 minute (Sensing Current 0.5mA) | | | | | |
| Insulation Resistance @ 500VDC R _{IS} | ≥ 500MΩ | | | | | |
| Operating Bandwidth ¹ (-3dB) f | DC - 35kHz | | | | | |
| Operating Temperature T _A | -10 - +80°C | | | | | |
| Storage Temperature T _S | -20 - +85°C | | | | | |

¹ Small signal only; derating needed to avoid excessive core heating at high frequency

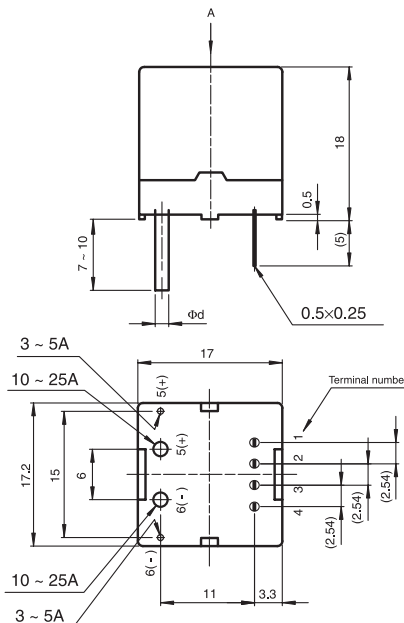
² Without offset

Package & Weight Information

| QTY/Box | Weight/each(g) |
|---------|----------------|
| 100 | 10 |



View A



| Types | Rated current | φ d |
|------------|---------------|-------|
| L16P003D15 | 3A | φ 0.5 |
| L16P005D15 | 5A | φ 0.6 |
| L16P010D15 | 10A | φ 0.8 |
| L16P015D15 | 15A | φ 1.2 |
| L16P020D15 | 20A | φ 1.4 |
| L16P025D15 | 25A | φ 1.4 |

| Terminal number | |
|-----------------|-------|
| 1 | - 15V |
| 2 | 0V |
| 3 | +15V |
| 4 | OUT |
| 5 | +IN |
| 6 | - IN |

TAMURA CORPORATION

43352 Business Park Drive. | P.O. Box 892230 Temecula, CA 92589-2230 | www.tamuracorp.com
 USA | Japan | United Kingdom | Hong Kong
 Tel: 800-872-6624 | Tel: 81 (0)3 3978-2111 | Tel: 44 (0) 1380 731 700 | Tel: 852-2389-4321
 Fax: 909-676-9482 | Fax: 81 (0)3 3923-0230 | Fax: 44 (0) 1380 731 702 | Fax: 852-2341-9689

Hall Effect Current Sensors

50 to 200 Amp Applications — Open Loop



- Compact PCB Mount Design
- Voltage Output type
- CE EN50178 (pending)

Specifications Measured at 25°C, RL=10KΩ, Vcc=±15V

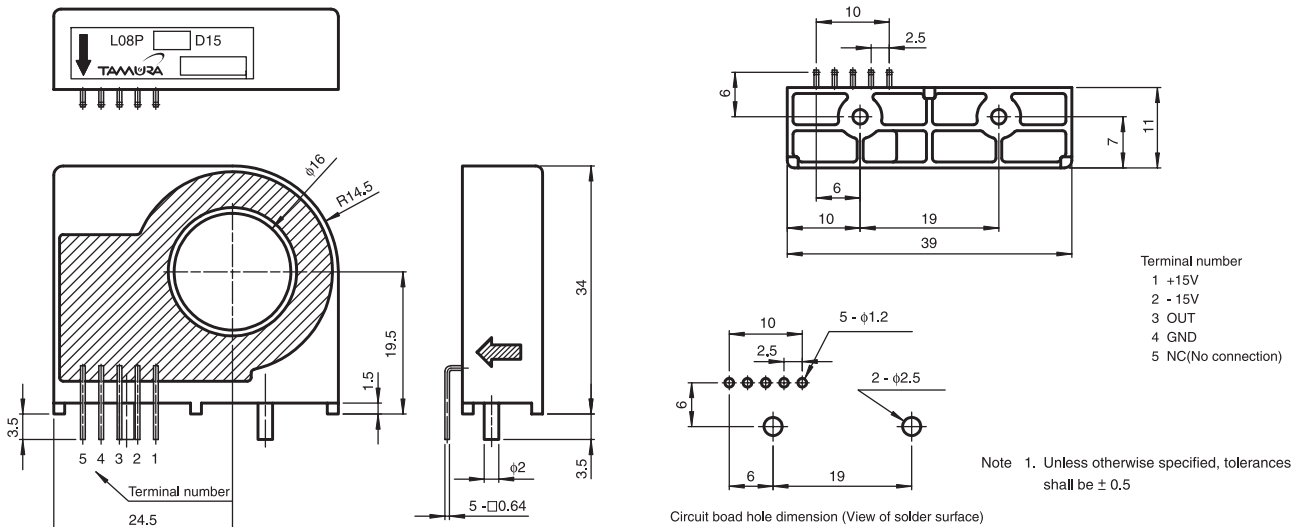
| Specification | | L08P050D15 | L08P100D15 | L08P150D15 | L08P200D15 |
|---|------------------|--|--------------|------------|------------|
| Nominal Primary DC Current | (If) | 50AT | 100AT | 150AT | 200AT |
| Maximum Current | If(max) | ±150AT | ±300AT | ±350AT | ±350AT |
| Output Voltage @ If | V _{OUT} | 4V | | | |
| Offset Voltage | V _{OE} | <±40mV | | | |
| Accuracy @ If ² | X | ±1% of If | | | |
| Output Linearity ² (0..If MAX) | E _L | ≤±1% of If | | | |
| Power Supply | V _{CC} | ±15V±5% | | | |
| Response Time | t _r | <10μ Sec | | | |
| Current Consumption | I _c | 12mA typ | | | |
| Output Temperature Characteristic | TCE _B | <±0.1% / °C | <±0.05% / °C | | |
| Offset Temperature Characteristic | V _{OT} | <±2mV / °C | <±1mV / °C | | |
| Hysteresis Allowance @ If=0 | V _{OH} | < ±30mV | <± 20mV | | |
| Withstand Voltage (50/60Hz) | V _d | 2,500VACrms for 1 minute (Sensing Current 0.5mA) | | | |
| Insulation Resistance @ 500VDC | R _{IS} | ≥500MΩ | | | |
| Operating Bandwidth (-3dB) | f | DC - 50kHz | | | |
| Operating Temperature | T _A | -10 - +80°C | | | |
| Storage Temperature | T _s | -20 - +85°C | | | |

¹ Small signal only; derating needed to avoid excessive core heating at high frequency

² Without offset

Package & Weight Information

| QTY/Box | Weight/each(g) |
|---------|----------------|
| 50 | 25 |



TAMURA CORPORATION

43352 Business Park Drive. | P.O. Box 892230 Temecula, CA 92589-2230 | www.tamuracorp.com

USA

Tel: 800-872-6624
Fax: 909-676-9482

Japan

Tel: 81 (0)3 3978-2111
Fax: 81 (0)3 3923-0230

United Kingdom

Tel: 44 (0) 1380 731 700
Fax: 44 (0) 1380 731 702

Hong Kong

Tel: 852-2389-4321
Fax: 852-2341-9689

50 to 600 Amp Applications — Open Loop

- Compact PCB Mount Design
- Voltage Output type
- Very High Linearity
- 15V Supply Voltage
- CE EN50178 (pending)



Specifications Measured at 25°C, RL=10KΩ, Vcc=±15V

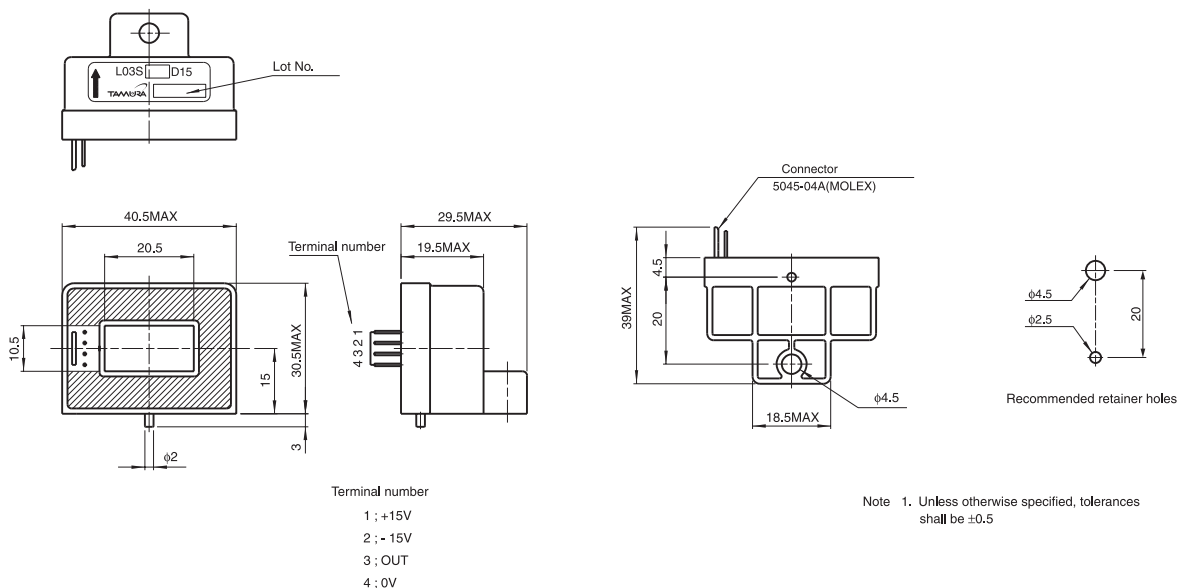
| Specification | L03S050D15 | L03S100D15 | L03S200D15 | L03S300D15 | L03S400D15 | L03S500D15 | L03S600D15 |
|--|--|------------|------------|------------|------------|------------|------------|
| Nominal Primary DC Current (If) | 50AT | 100AT | 200AT | 300AT | 400AT | 500AT | 600AT |
| Maximum Current If(max) | ±150AT | ±300AT | ±600AT | ±700AT | ±700AT | ±700AT | ±700AT |
| Output Voltage @ If | V _{OUT} 4V | | | | | | |
| Offset Voltage V _{OE} | <± 40mV | | | <±30mV | | | |
| Accuracy @ If ² | X | | | ±1% of If | | | |
| Output Linearity ² (0..If MAX) | E _L | | | ±1% of If | | | |
| Power Supply V _{CC} | ±15V±5% | | | | | | |
| Response Time t _r | ≤5μ Sec | | | | | | |
| Current Consumption I _c | 12mA typ | | | | | | |
| Output Temperature Characteristic TCE _G | <±0.1% / °C | | | | | | |
| Offset Temperature Characteristic V _{OT} | <±2mV / °C | | | <±1mV / °C | | | |
| Hysteresis Allowance @ If=0 V _{OH} | ±30mV | | | ±20mV | | ±10mV | |
| Withstand Voltage (50/60Hz) V _d | 2,500VACrms for 1 minute (sensing current 0.5mA) | | | | | | |
| Insulation Resistance @ 500VDC R _{IS} | ≥500MΩ | | | | | | |
| Operating Bandwidth ¹ (-3dB) f | DC - 50kHz | | | | | | |
| Operating Temperature T _A | -10 - +80°C | | | | | | |
| Storage Temperature T _S | -15 - +90°C | | | | | | |

¹ Small signal only; derating needed to avoid excessive core heating at high frequency

² Without offset

Package & Weight Information

| QTY/Box | Weight/each(g) |
|---------|----------------|
| 20 | 50 |



TAMURA CORPORATION

43352 Business Park Drive. | P.O. Box 892230 Temecula, CA 92589-2230 | www.tamuracorp.com
 USA | Japan | United Kingdom | Hong Kong
 Tel: 800-872-6624 | Tel: 81 (0)3 3978-2111 | Tel: 44 (0) 1380 731 700 | Tel: 852-2389-4321
 Fax: 909-676-9482 | Fax: 81 (0)3 3923-0230 | Fax: 44 (0) 1380 731 702 | Fax: 852-2341-9689

Hall Effect Current Sensors

50 to 600 Amp Applications — Open Loop



- Compact PCB Mount Design
- Voltage Output type
- Very High Linearity
- 5V Supply Voltage
- CE EN50178 (pending)

Specifications Measured at 25°C, RL=10KΩ, Vcc=+ 5V; Vref = $\frac{V_{CC}}{2}$

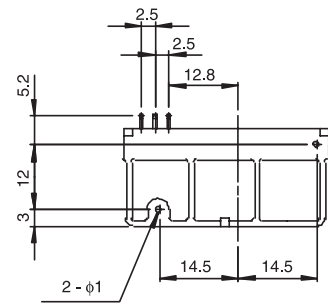
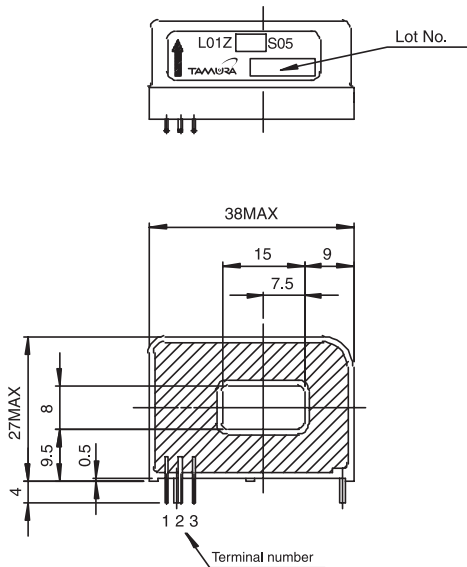
| Specification | L01Z050S05 | L01Z100S05 | L01Z150S05 | L01Z200S05 | L01Z300S05 | L01Z400S05 | L01Z500S05 | L01Z600S05 |
|--|------------------|------------|------------|--|-------------|------------|------------|------------|
| Nominal Primary DC Current (If) | 50AT | 100AT | 150AT | 200AT | 300AT | 400AT | 500AT | 600AT |
| Maximum Current If(max) | ±62.5AT | ±125AT | ±187.5AT | ±250AT | ±375AT | ±500AT | ±625AT | ±750AT |
| Output Voltage @ If | V _{OUT} | Vref±1.5V | | | Vref±1.5V | | | |
| Offset Voltage V _{OE} | 2.5V±0.035V | | | | 2.5V±0.030V | | | |
| Accuracy @ If ² | X | <±1% of If | | | <±1% of If | | | |
| Output Linearity ² (0..If MAX) | E _L | | | ±1% of If | | | | |
| Power Supply Vcc | | | | 5V ±2.0% | | | | |
| Response Time t _r | | | | <5μs | | | | |
| Current Consumption I _c | | | | <15mA | | | | |
| Output Temperature Characteristic TCE _g | <±2mV / °C | | | <±1.5mV / °C | | | | |
| Offset Temperature Characteristic V _{OT} | <±2mV / °C | | | <±1mV / °C | | | | |
| Hysteresis Allowance @ If=0 V _{OH} | | ±8mV | | ±4mV | | | ±6mV | |
| Withstand Voltage (50/60Hz) V _d | | | | 2,500VACrms for 1 minute (sensing current 0.5mA) | | | | |
| Insulation Resistance @ 500VDC R _{IS} | | | | ≥500MΩ | | | | |
| Operating Bandwidth ¹ (-3dB) f | | | | DC - 50kHz | | | | |
| Operating Temperature T _A | | | | -10 - +80°C | | | | |
| Storage Temperature T _S | | | | -15 - +85°C | | | | |

¹ Small signal only; derating needed to avoid excessive core heating at high frequency

² Without offset

Package & Weight Information

| QTY/Box | Weight/each(g) |
|---------|----------------|
| 50 | 45 |



- Terminal number
- 1 OUT
 - 2 OV
 - 3 5V

Note 1. Unless otherwise specified, tolerances shall be ± 0.5

TAMURA CORPORATION

43352 Business Park Drive. | P.O. Box 892230 Temecula, CA 92589-2230 | www.tamuracorp.com

USA

Tel: 800-872-6624
Fax: 909-676-9482

Japan

Tel: 81 (0)3 3978-2111
Fax: 81 (0)3 3923-0230

United Kingdom

Tel: 44 (0) 1380 731 700
Fax: 44 (0) 1380 731 702

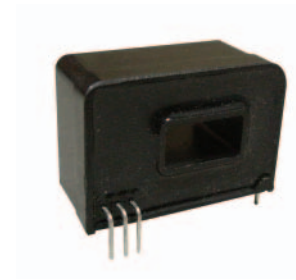
Hong Kong

Tel: 852-2389-4321
Fax: 852-2341-9689

Hall Effect Current Sensors

100 to 300 Amp Applications — Closed Loop

- PCB Mount Design
- Current Output type
- Very High Linearity
- $\pm 15V$ Supply Voltage
- CE EN50178 (pending)



Specifications Measured at 25°C, RL=10K Ω , VCC= $\pm 15V$

| Specification | | S21Z100D15 | S21Z150D15 | S21Z200D15 | S21Z300D15 |
|---------------------------------------|-------------------|---|------------|------------|------------|
| Nominal Primary DC Current | (If) | 100A | 150A | 200A | 300A |
| Maximum Current | If(max) | 150A | 225A | 300A | 450A |
| Output Current @ If | I _{OUT} | 50mA | 75mA | 100mA | 150mA |
| Conversion Ratio | K _n | 1:2000 | 1:2000 | 1:2000 | 1:2000 |
| Accuracy | X | $\pm 1\%$ of If | | | |
| Offset Current (If=0) ¹ | I _o | $\pm 0.5mA$ | | | |
| Output Linearity ¹ (0..If) | E _L | $\pm 0.25\%$ of If | | | |
| Power Supply | V _{CC} | $\pm 15V \pm 5\%$ ² | | | |
| Response Time | t _r | $\leq 1\mu s$ | | | |
| Current Consumption | I _c | $\pm 16mA$ ³ | | | |
| Output Temperature Characteristic | TC _{OUT} | $\pm 0.025\% / ^\circ C$ @ If=0 (Ta=-5 to +70°C) | | | |
| Offset Temperature Characteristic | I _{OT} | $\pm 0.025mA / ^\circ C$ @ If=0 (Ta=-5 to +70°C) | | | |
| Hysteresis Allowance If=0 - Ifmax) | I _{OH} | $\leq 0.3mA$ | | | |
| Withstand Voltage (50/60Hz) | V _d | 2,500VACrms for 1 minute (sensing current 0.5mA) | | | |
| Insulation Resistance @ 500VDC | R _{IS} | 500M Ω | | | |
| Frequency Bandwidth (-3dB) | f | DC - 150kHz | | | |
| Operating Temperature | T _A | -10 - +70°C | | | |
| Storage Temperature | T _S | -20 - +85°C | | | |
| Secondary Coil Resistance | R _s | TBD Ohms @ Ta = 70°C (Contact Tamura for additional info) | | | |

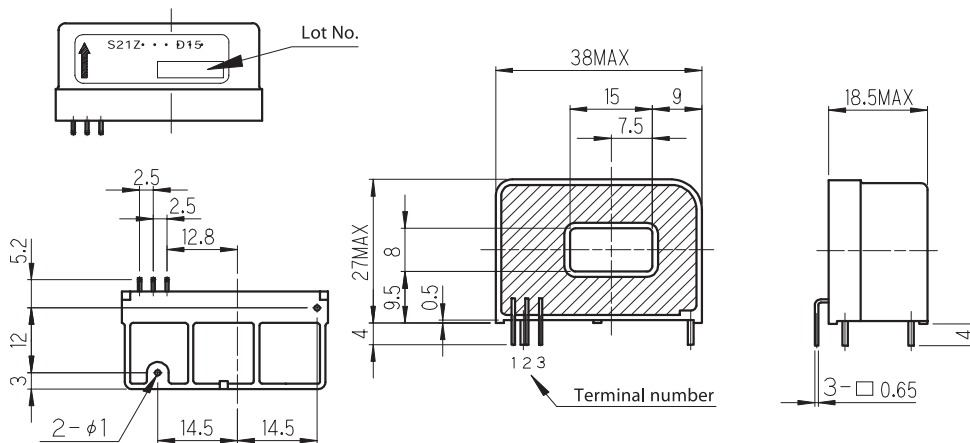
¹ Without Offset

² Ifmax is Restricted by Vcc

³ Output Current not included

Package & Weight Information

| QTY/Box | Weight/each(g) |
|---------|----------------|
| 50 | 25 |



Note 1. Unless otherwise specified, tolerances shall be ± 0.5

Terminal number
1. OUT
2. -15V
3. +15V

TAMURA CORPORATION

43352 Business Park Drive. | P.O. Box 892230 Temecula, CA 92589-2230 | www.tamuracorp.com
 USA | Japan | United Kingdom | Hong Kong
 Tel: 800-872-6624 | Tel: 81 (0)3 3978-2111 | Tel: 44 (0) 1380 731 700 | Tel: 852-2389-4321
 Fax: 909-676-9482 | Fax: 81 (0)3 3923-0230 | Fax: 44 (0) 1380 731 702 | Fax: 852-2341-9689

Hall Effect Current Sensors

50 to 300 Amp Applications — Closed Loop



- Panel Mount Design
- Current Output type
- Very High Linearity
- $\pm 12V$ or $\pm 15V$ Supply Voltage
- CE EN50178 (pending)

Specifications Measured at 25°C, $R_L \pm 15K\Omega$, $V_{CC} = \pm 12V$

| Specification | | S20S050A | S20S100A | S20S150A | S20S200A | S20S300A |
|--|--------------|----------|----------|--|----------|----------|
| Nominal Primary DC Current | (If) | 50A | 100A | 150A | 200A | 300A |
| Maximum Current | $I_{F(max)}$ | 75A | 150A | 225A | 300A | 450A |
| Output Current @ If | I_{OUT} | 50mA | 100mA | 150mA | 100mA | 150mA |
| Conversion Ratio | K_H | 1:1000 | 1:1000 | 1:1000 | 1:2000 | 1:2000 |
| Offset Current (If=0) | I_o | | | $\pm 0.5mA$ | | |
| Accuracy ⁴ | X | | | $< \pm 1\%$ of If | | |
| Output Linearity ⁴ (0..MAX) | E_L | | | $\pm 0.25\%$ | | |
| Power Supply | V_{CC} | | | $12V$ or $\pm 15V \pm 5\%$ ² | | |
| Response Time @ $di/dt=50A/\mu Sec$ | t_r | | | $1\mu s$ | | |
| Current Consumption | I_c | | | $\pm 16mA$ ³ | | |
| Output Temperature Characteristic | TCI_{OUT} | | | $\pm 0.02\% / ^\circ C$ @ If (Ta=-5 to +70°C) | | |
| Offset Temperature Characteristic | I_{OT} | | | $\pm 0.025mA / ^\circ C$ @ If=0 (Ta=-5 to +70°C) | | |
| Hysteresis Allowance | I_{OH} | | | 0.5mA | | |
| Withstand Voltage (50/60Hz) | V_d | | | 2,500VACrms for 1 minute (sensing current 0.5mA) | | |
| Insulation Resistance @ 500VDC | R_{IS} | | | 500M Ω | | |
| Frequency Bandwidth (-3dB) | f | | | DC - 150kHz | | |
| Operating Temperature | T_A | | | -10 - +70°C | | |
| Storage Temperature | T_S | | | -20 - +85°C | | |
| Secondary Coil Resistance | R_S | | | ¹ Ohms @ 70°C (Contact Tamura Tech Support) | | |

¹ TBD

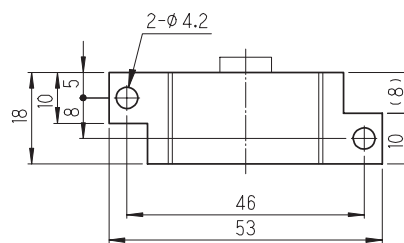
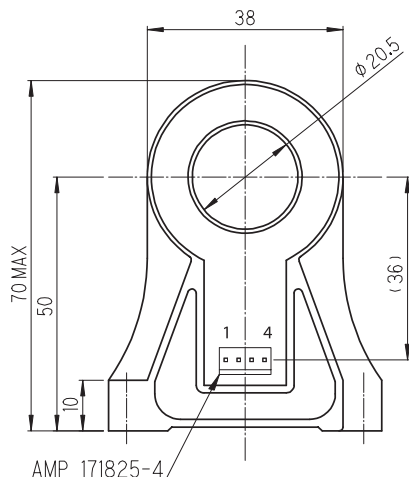
² Ifmax is Restricted by Vcc

³ Output Current not included

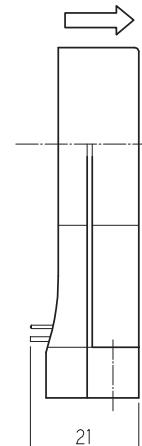
⁴ Without offset

Package & Weight Information

| QTY/Box | Weight/each(g) |
|---------|----------------|
| TBD | 46 |



Note Unless otherwise specified, tolerances shall be ± 0.5



Terminal Pin
1+15V
2- 15V
3.OUT
4.NC

TAMURA CORPORATION

43352 Business Park Drive. | P.O. Box 892230 Temecula, CA 92589-2230 | www.tamuracorp.com

USA
Tel: 800-872-6624
Fax: 909-676-9482

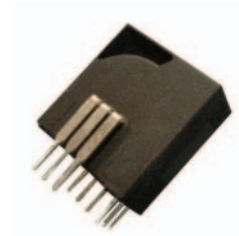
Japan
Tel: 81 (0)3 3978-2111
Fax: 81 (0)3 3923-0230

United Kingdom
Tel: 44 (0) 1380 731 700
Fax: 44 (0) 1380 731 702

Hong Kong
Tel: 852-2389-4321
Fax: 852-2341-9689

6 to 25 Amp Applications — Closed Loop

- Multirange Current Sensor
- Voltage Output
- Compact PCB Mount
- Single Supply ($\pm 5V$)
- CE EN50178 (pending)



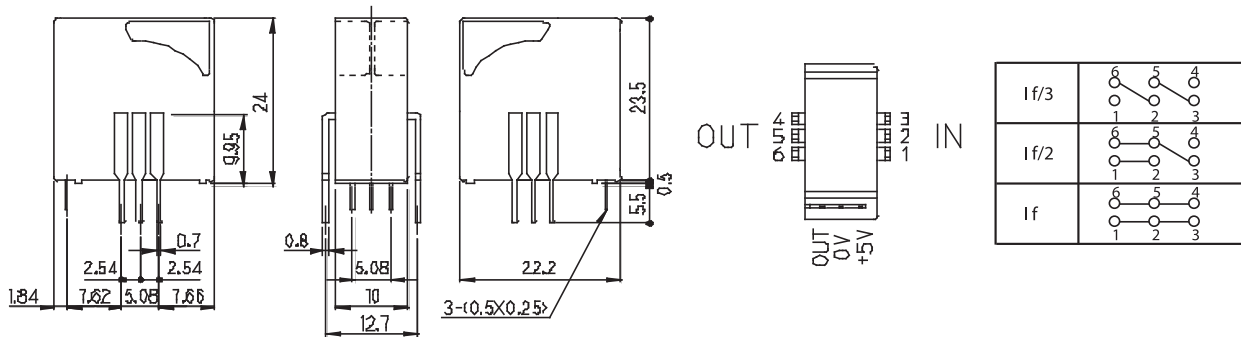
Specifications Measured at 25°C, RL=10K Ω , V_{CC}=+5V

| Specification | S22P006S05 | S22P015S05 | S22P025S05 |
|--|--------------------|--|--------------------|
| Nominal Primary r.m.s. Current (I _f) | $\pm 6A$ | $\pm 15A$ | $\pm 25A$ |
| Maximum Current I _{f(max)} | $\pm 18A$ | $\pm 45A$ | $\pm 75A$ |
| Offset Voltage (I _f =0) V _{REF} | 2.5V $\pm 30mV$ | 2.5V $\pm 20mV$ | 2.5V $\pm 15mV$ |
| Output Voltage V _{OUT} | | VREF $\pm 0.625V$ | |
| Output Voltage Accuracy ¹ @ I _f X | | 0.625V $\pm 10mV$ | |
| Output Linearity (0 to I _f) E _L | | $\pm 0.25\%$ | |
| Power Supply V _{CC} | | $\pm 5V \pm 5\%$ | |
| Response Time t _r | | 1 μs | |
| Current Consumption I _C | | 12.5mA Typ | |
| Output Temperature Characteristic ICEG | | $\pm 0.05mV/^\circ C$ | |
| Offset Temperature Characteristic TC _{OUT} | 1.25mV/ $^\circ C$ | 1.25mV/ $^\circ C$ | 1.25mV/ $^\circ C$ |
| Hysteresis Allowance (I _f =0 to I _{fmax}) V _{OH} | | $\leq 0.25mV$ | |
| Withstand Voltage (50/60Hz) V _d | | 3,000VACrms for 1 minute (sensing current 0.5mA) | |
| Insulation Resistance @ 500VDC R _{IS} | | $\geq 500M\Omega$ | |
| Operating Bandwidth (1dB) f | | DC - 200kHz | |
| Operating Temperature T _A | | -10 - +85 $^\circ C$ | |
| Storage Temperature T _S | | -25 - +100 $^\circ C$ | |

¹ Without offset

Package & Weight Information

| QTY/Box | Weight/each(g) |
|---------|----------------|
| 100 | 8 |



TAMURA CORPORATION

43352 Business Park Drive. | P.O. Box 892230 Temecula, CA 92589-2230 | www.tamuracorp.com
 USA | Japan | United Kingdom | Hong Kong
 Tel: 800-872-6624 | Tel: 81 (0)3 3978-2111 | Tel: 44 (0) 1380 731 700 | Tel: 852-2389-4321
 Fax: 909-676-9482 | Fax: 81 (0)3 3923-0230 | Fax: 44 (0) 1380 731 702 | Fax: 852-2341-9689