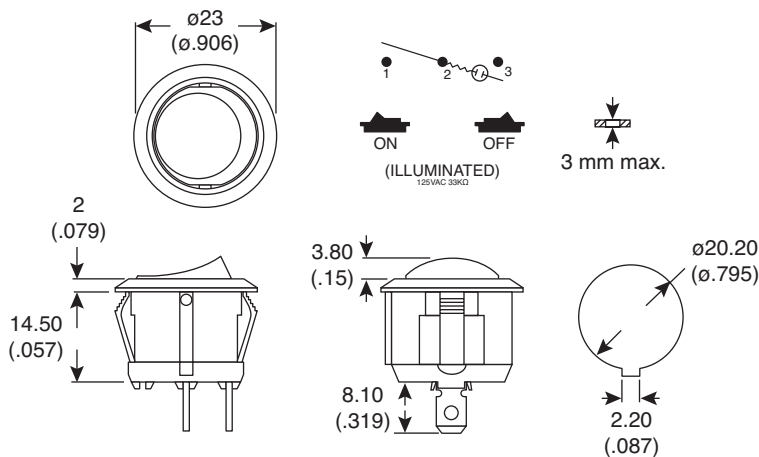


Dimensions: mm (In.)



Mouser Stock No.	Color
103-R13-112B-02R	Red
103-R13-112B-02Y	Yellow
103-R13-112B-02G	Green

Electrical Specifications:

- Rating: 16A/125VAC, 10A/250VAC
- Contact resistance: 50mΩ max.
- Insulation resistance: 500VDC 100MΩ min.
- Dielectric strength: 1500VAC for 1 min.

Materials:

- Frames: nylon (UL flame: 94V-2)
- Terminals: silver plated brass
- Illuminated actuators are molded in PC
- Snap-in mounting, easy to install switch into panel

Illuminated Rocker Switches

103-R13-112B-02R, 103-R13-112B-02Y, 103-R13-112B-02G

