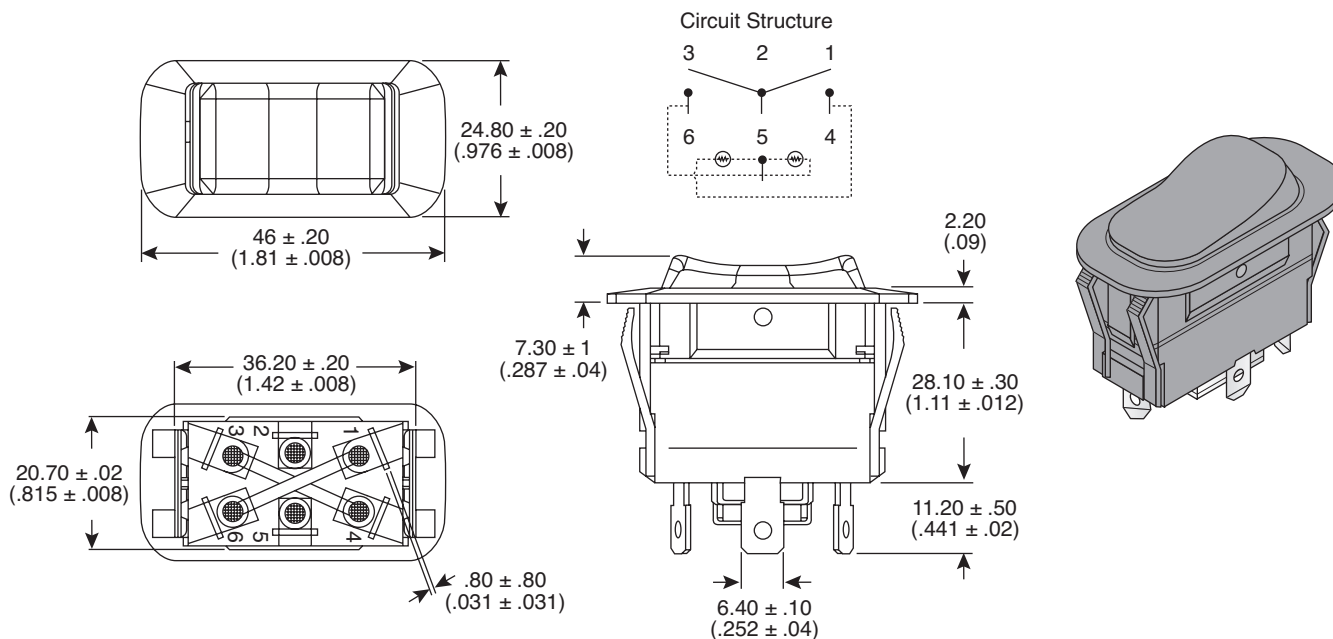


Dimensions: mm (In.)



**Electrical Specifications:**

- Rating: 12A / 125VAC, 10A / 277VAC 3/4HP  
21A / 14VDC
- Contact Resistance: 50m  $\Omega$  max.
- Insulation Resistance: 500 VDC 100M  $\Omega$  min.
- Dielectric Strength: 1500 VAC for 1 minute

**Material:**

- Color: Red / Red

**Mechanical Specifications:**

- Operating Temperature:  $-20^{\circ}$  ~  $85^{\circ}$
- Circuit: 4P SPDT On-Off-On

**Note:**

- RoHS Compliant by Exemption

**Rocker Switch**  
103-7066-EVX

