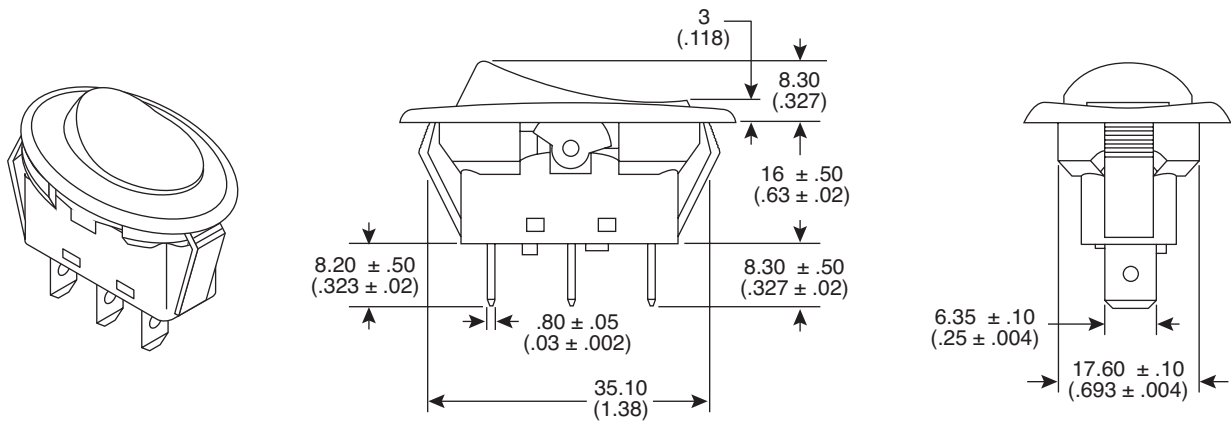


Dimensions: mm (In.)



**Electrical Specifications:**

- Rating: 16A / 125VAC, 10A / 250 VAC
- Contact Resistance: 50m  $\Omega$  max.
- Insulation Resistance: 500 VDC 100M  $\Omega$  min.
- Dielectric Strength: 1500 VAC 1 minute

**Mechanical Specifications:**

- Operating temperature: -20°C ~ 85°C
- Circuit: SPST Off-On
- LED 12VDC

**Note:**

- RoHS Compliant

**Illuminated (LED) Rocker Switch**  
103-7065-EV



Available from Mouser Electronics

www.mouser.com

1-800-346-6873