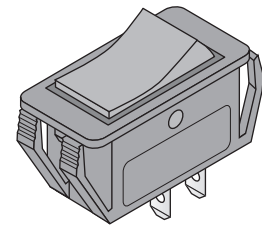
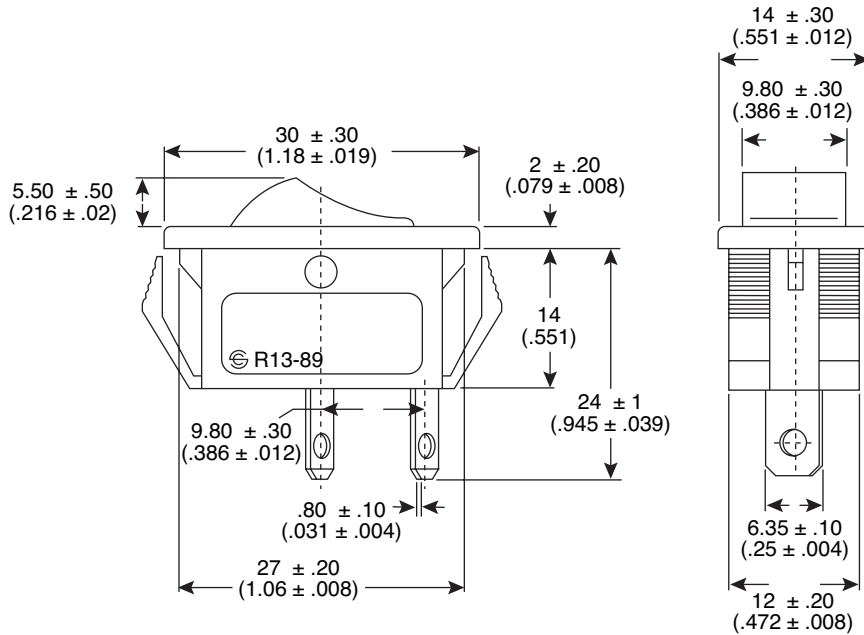


Dimensions: mm (In.)



Note:

- RoHS Compliant

Mechanical Specifications:

- Neon Lamps: 110VAC

Electrical Specifications:

- Rating: 10A / 125VAC, 6A / 250VAC
10A / 12VDC
- Contact Resistance: 50m Ω max.
- Insulation Resistance: 500 VDC 100M Ω min.
- Dielectric Strength: 1000 VAC 1 minute

Mouser Stock No.	Type	Circuit	Button Color
103-7038-EV	2P SPST	ON-OFF	Black
103-7039-EV	3P SPST	ON-OFF (Illuminated)	Red

Rocker Switches
103-7038-EV, 103-7039-EV

