



SERIES R1966 SWITCHES

ROCKER SWITCHES - ILLUMINATED



FEATURES & BENEFITS

- ▶ Variety of termination options
- ▶ Industry standard panel cut out size
- ▶ Different marking options
- ▶ Variety of functions & colors available
- ▶ LED indicator option available

APPLICATIONS/MARKETS

- ▶ Audio/Visual
- ▶ Consumer Electronics
- ▶ Test/instrumentation

SPECIFICATIONS

Contact Rating:	15A @ 125 VAC 8A @ 250 VAC (UL, CUL)
Life Expectancy (Mechanical):	30,000 cycles
Life Expectancy (Electrical):	10,000 cycles
Contact Resistance:	20 mΩ max., initial @ 2-4 VDC
Insulation Resistance:	> 1,000 MΩ
Dielectric Strengths:	> 1,500 volts 1 minute > 3,000 volts between poles
Operating Temperature:	-30° C to 55° C
Safety Standard Approval:	UL, CUL, VDE

MATERIALS

Body:	Nylon 6/6
Rocker:	Polycarbonate
Terminal:	Silver plated copper alloy
Contact:	Coin silver, silver plated



HOW TO ORDER

SERIES	CIRCUIT	HOUSING COLOR	ACTUATOR COLOR	MARKING	TERMINATION	LED COLOR
R1966	See Below	BLK = Black WHT = White GRY = Grey	BLK = Black WHT = White GRY = Grey RED = Red ORG = Orange BLU = Blue	A B C D E* F G H I J K L	F = Faston, Quick Connect .187 x .031 G = Quick Connect* .187 x .020 S = Solder Lug P = PC Pin R = Right Angle PC Pin L = Left Angle PC Pin	(R1966 "A" Circuit Only) RED = Red YEL = Yellow GRN = Green (See Next Page For Description)
CIRCUIT CODE:						
A = SPST On-Off						
C = SPDT On-On						
D = SPDT On-Off-On						
E = SPST On-(Off)						
F = SPST Off-(On)						
G = SPDT On-(On)						
H = SPDT On-Off-(On)						
I = SPDT (On)-Off-(On)						
() = Momentary						



Example Ordering Number

R1966-A-BLK-BLK-E-F-YEL

* Only available in SPST versions

Specifications subject to change without notice.

TACT SWITCHES

NAVIGATION SWITCHES

PUSHBUTTON SWITCHES

TOGGLE SWITCHES

ROCKER SWITCHES

SLIDE SWITCHES

SNAP-ACTION SWITCHES

DIP SWITCHES

KEYLOCK SWITCHES

ROTARY SWITCHES

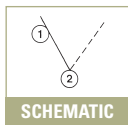
DETECTOR SWITCHES

CAP OPTIONS

SERIES R1966 SWITCHES

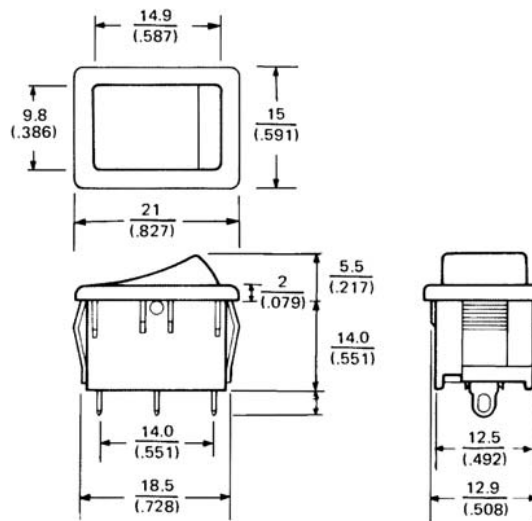
ROCKER SWITCHES - ILLUMINATED

SPST

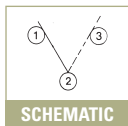


Circuit Code	POS 1	POS 2
A	ON	OFF
E	ON	(OFF)
F	OFF	(ON)
Term. Comm.	2-1	OPEN

() = Momentary



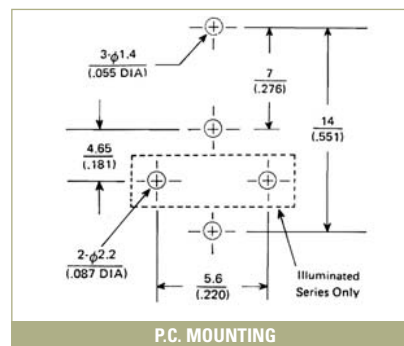
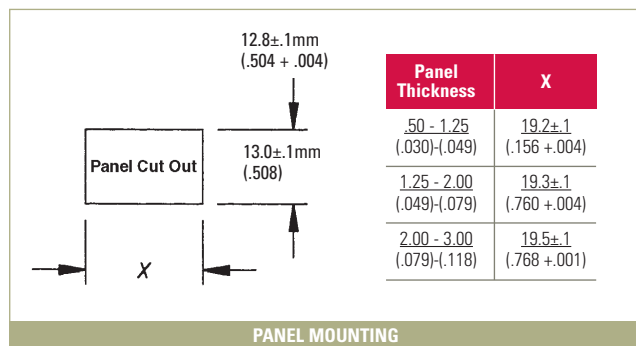
SPDT



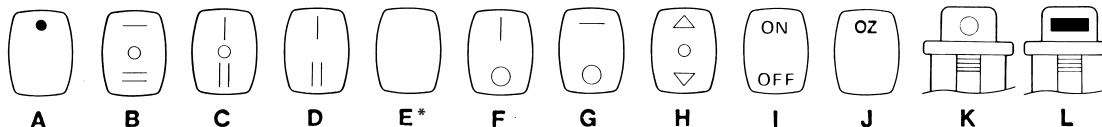
Circuit Code	POS 1	POS 2	POS 3
C	ON	NONE	ON
D	ON	OFF	ON
G	ON	NONE	(ON)
H	ON	OFF	(ON)
I	(ON)	OFF	(ON)
Term. Comm.	2-1	OPEN	2-3

() = Momentary

LED Color	Forward Volt. Typ. (V _{FD})	Rated Current (I _{LED})	Reverse Breakdown (V _R)	Intensity Lum. Typ. (M _{CD})
RED = Red	2.0V	20mA	5V	4.0mcd
GRN = Green	2.2V	20mA	5V	4.0mcd
YEL = Yellow	2.1V	20mA	5V	4.0mcd



MARKING OPTIONS



* 'E' Marking standard for all LED versions.

TERMINATION OPTIONS

<p>S SOLDER LUG</p> <p>0.7 x 2.4 3.2</p>	<p>F FASTON</p> <p>6.60 [0.260] 4.80 x 0.80 [0.187 x 0.031]</p>	<p>G QUICK CONNECT</p> <p>6.60 [0.260] 4.80 x 0.50 [0.187 x 0.020]</p>	<p>P PC PIN</p> <p>0.8 x 1.2 14</p>	<p>R RIGHT ANGLE PC PIN</p> <p>16 5.5 12</p>	<p>L LEFT ANGLE PC PIN</p> <p>16.00 [0.630] 5.50 [0.216] 1.20 [0.047] 12.00 [0.472]</p>
---	--	---	--	---	--