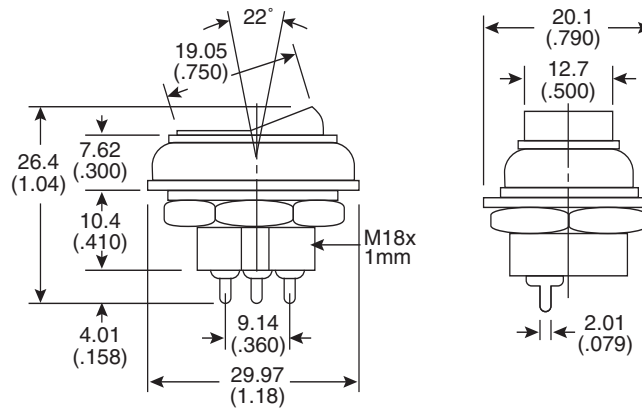
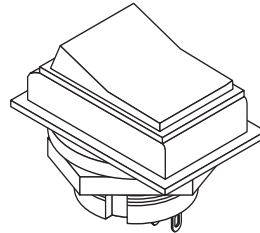


Dimensions: mm (In.)



Electrical Specifications:

- Rating: 6A/125VAC
- Contact resistance: $\leq 20\text{m}\Omega$ @ 2.5VDC 1A
- Insulation resistance: $\geq 100\text{M}\Omega$ @ 500VDC
- Voltage breakdown: 1000VAC for 1 minute
- Electrical life: 10,000 cycles

Mechanical Specifications:

- Mounting center: $\phi .710"$
- Button: white w/black frame
- Weight: .289 oz.
- Mechanical life: 30,000 cycles

Mouser Stock No.	Circuit Type	Circuit Function
10DS388	SPST	On-Off
10DS389	SPDT	On-On
10DS390	DPDT	On-On

Rocker Switches
10DS388, 10DS389, 10DS390



Available from Mouser Electronics

www.mouser.com

1-800-346-6873