

T-Series Single/Double Pole Rocker and Paddle Switches



The predecessor to the Corvette series whose versatility has allowed it to stand the test of time. Traditional styling coupled with self cleaning contacts, integrated wire leads, a multitude of circuits, ratings, and actuator choices has made the T-Series appeal to a wide range of markets including Appliance, HVAC, Food service, Transportation, and sundry other markets as well.

Dielectric Strength

UL/CSA:1000V - live to dead metal

Electrical Life

100,000 cycles

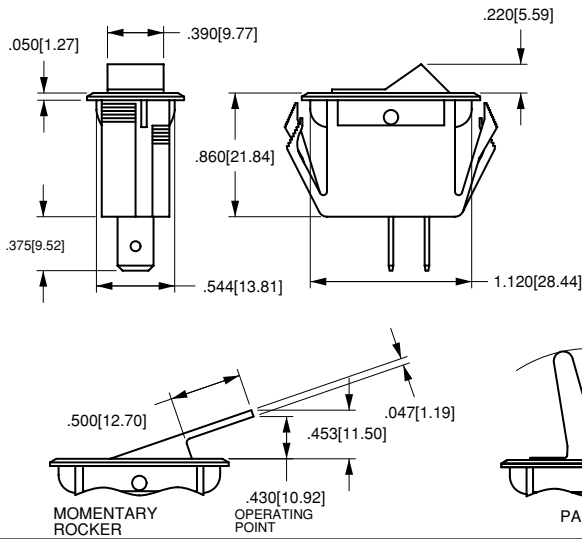
Mechanical Life

100,000 cycles

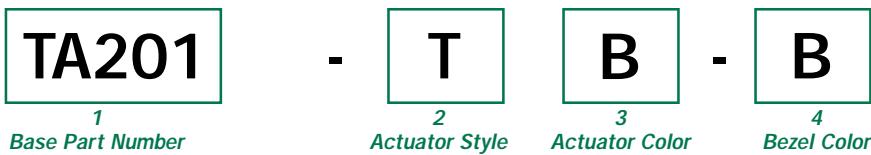
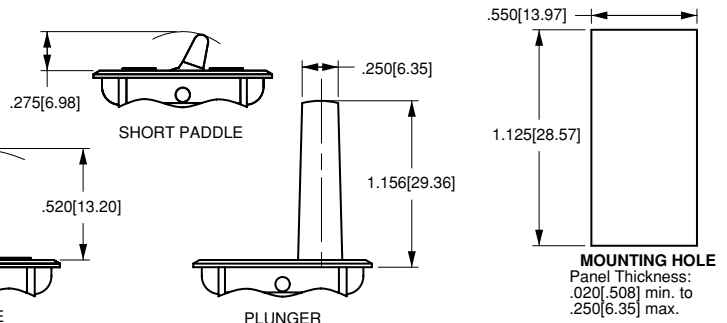
Operating Temperature

32°F to 185°F (0°C to 85°C)

T-Series Dimensional Specifications: in.[mm]



| | | | |
|-----------------|------------|-----------------|--|
| | | | |
| .250 TAB (Q.C.) | SOLDER LUG | .187 TAB (Q.C.) | INTEGRATED WIRE LEAD (no exposed conductors) |
| TERMINAL TYPE | | | |



| 1 BASE PART NUMBER: SERIES/CIRCUITRY/RATING/TERMINATION ³ | | | | |
|--|---------------|--------------|--------------------|--------------------|
| RATING | CIRCUITRY | TERMINATION | | |
| | | Solder Lugs | .250 Tabs | Wire Leads |
| 10A 250 VAC | OFF-NONE-ON | TA200 | TA201 | TA205 |
| 15A 125 VAC | ON-NONE-ON | TB200 | TB201 | TB205 |
| 3/4 HP 125-250 VAC | ON-OFF-ON | TC200 | TC201 | TC205 |
| 5A 250 VAC | OFF-NONE-(ON) | TA10A | TA10B | TA10F |
| 10A 125 VAC | ON-NONE-(OFF) | TA10L | TA10M | TA10T |
| 1/2 HP 125-250 VAC | ON-NONE-(ON) | TB10A | TB10B | TB10F |
| T SERIES W/ PLUNGER ACTUATOR ¹ | | | | |
| 10A 250 VAC | | | | |
| 16A 125 VAC | OFF-NONE-(ON) | n/a | TA25B-PLB-B | TA25F-PLB-B |
| 1/2 HP 125-250 VAC | ON-NONE-(OFF) | n/a | n/a | TA25T-PLB-B |
| T SERIES W/ LEVER ACTUATOR | | | | |
| 10A 250 VAC | | | | |
| 15A 125 VAC | OFF-NONE-(ON) | n/a | TA22B-TLB-B | n/a |
| 20A 125-250 VAC "H" | ON-NONE-(OFF) | n/a | TA22M-TLB-B | n/a |
| 3/4 HP 125-250 VAC | | | | |

| 2 ACTUATOR STYLE ² |
|-------------------------------|
| T rocker |
| P paddle |
| PS short paddle |

| 3 ACTUATOR COLOR |
|------------------|
| B black |
| W white |

| 4 BEZEL COLOR |
|----------------|
| B black |
| W white |

NOTES

- 1 Optional plunger support option is available for applications requiring extensive lateral travel, consult factory for details.
- 2 Not available with TA22 and TA25 Series.
- 3 .187 tab terminals also available. Consult factory for catalog number callout.