

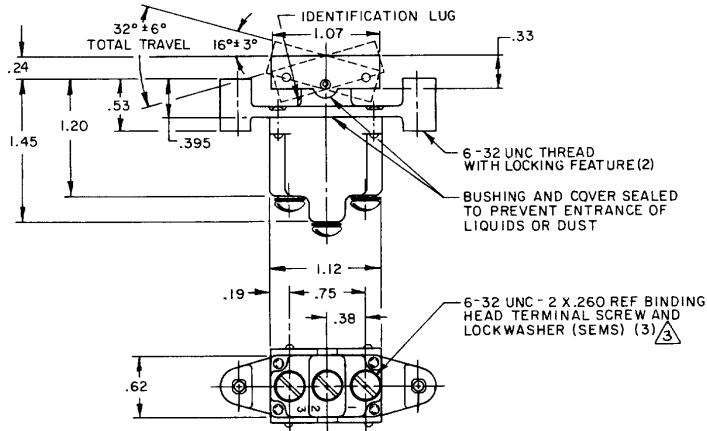
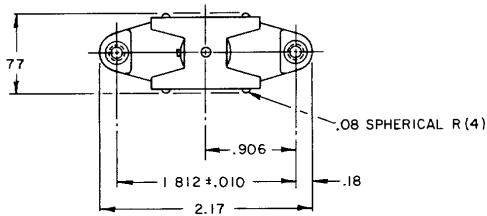
1TP8 SERIES CHART 1
 DRAWING NUMBER
 ISSUE
 REVISIONS
 A 60-51883
 B 0056795
 C 0057712
 D 0059943
 E 0077897
 F 0094442
 FORMTEK FC-3850-C
 K A G 14 SEP 82

MICRO SWITCH
 FREEPORT ILLINOIS U.S.A.
 A DIVISION OF HONEYWELL
 FED. MFG. CODE 91929

**SWITCH - TOGGLE
 FLUSH KEY**

CATALOG LISTING
1TP8 SERIES
CHART 1

THIS DRAWING COVERS A PROPRIETARY ITEM AND IS THE PROPERTY OF MICRO SWITCH, A DIVISION OF HONEYWELL. THIS DRAWING IS NOT TO BE COPIED OR USED WITHOUT THE APPROVAL OF MICRO SWITCH.



CATALOG LISTING	CIRCUIT MADE WITH BUTTON DEPRESSED ON			ELECTRICAL DATA
	LUG SIDE (1-2)	CENTER (1-2)	OPPOSITE LUG (2-3)	
1TP8 - 1	ON	OFF	ON	L191 15A 125, 250, 277 VAC 1/2HP 125 VAC 1HP 250, 277 VAC 5A 125 VAC "L" RU CE
1TP8 - 2	OFF	NONE	DN	
1TP8 - 3	ON	NONE	ON	
1TP8 - 21	NONE	OFF	ON	
1TP8 - 31	NONE	ON	ON	
1TP8 - 4	MOM OFF	NONE	ON	L192 10A 125, 250, 277 VAC 1/4HP 125 VAC, 1/2HP 250, 277 VAC 3A 125 VAC "L" RU CE
1TP8 - 5	MOM ON	OFF	ON	
1TP8 - 6	MOM ON	NONE	OFF	
1TP8 - 7	MOM ON	OFF	MOM ON	
1TP8 - 8	MOM ON	NONE	ON	
1TP8 - 51	NONE	ON	MOM ON	
1TP8 - 61	MOM ON	OFF	NONE	

- NOTES
 1 - MICRO SWITCH CATALOG LISTING MARKED ON SIDE OF SWITCH
 2 - THESE SWITCHES WILL WITHSTAND TEMPERATURE OF 160°F
 3 - SCREWS FURNISHED UNASSEMBLED

THIRD ANGLE PROJECTION

SCALE FULL

DO NOT SCALE PRINT

TOLERANCES
 DIM. TO DECIMALS UNLESS OTHERWISE SPECIFIED ARE IN INCHES UNLESS NOTED OTHERWISE ARE IN MILLIMETERS

DIM.	TOL.	DIM.	TOL.
FR. PLACES	.005	MILLIMETERS	.10
2ND PLACES	.002	DIMENSIONS	.05
3RD PLACES	.001	ANGLES	± .005
4TH PLACES	.0005	ANGLES	± .001

DESIGN UNITS INCHES METRIC
 WEIGHT