



MICRO SWITCH
 FREEPORT, ILLINOIS, U.S.A
 A DIVISION OF HONEYWELL
 FED. MFG. CODE 91929

**OPERATOR INDICATOR
 UNITS
 FLANGE MOUNT**

CATALOG LISTING
2C200 SERIES
CHART 2

THIS DRAWING COVERS A PROPRIETARY ITEM AND IS THE PROPERTY OF MICRO SWITCH, A DIVISION OF MINNEAPOLIS-HONEYWELL REGULATOR CO. THIS DRAWING IS NOT TO BE COPIED OR USED WITHOUT THE APPROVAL OF MICRO SWITCH.

CATALOG LISTING
2C200 SERIES CHART 2
 PAGE 1 OF 1

ISSUE
M
 9

REVISIONS

| | | | |
|---|----------|--------|-----------|
| A | CO-82436 | JALA | 6 FEB 96 |
| B | CO-92836 | C.S.L. | 17 AUG 98 |
| C | CO-95794 | C.S.L. | 28 JAN 00 |
| D | 204136 | C.S.L. | 11 OCT 01 |

REPLACES

SR 11339
 SR 11339

RELEASE NO.

CHECK

GG

18 JAN 96

CSK

CHECK

GG

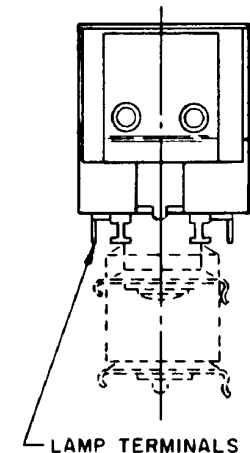
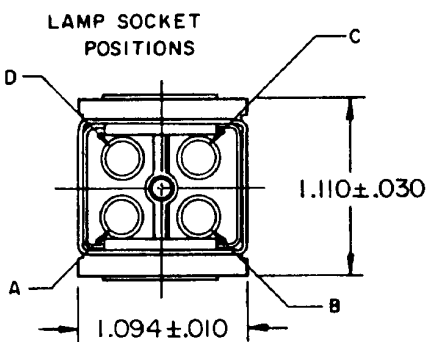
18 JAN 96

LS D

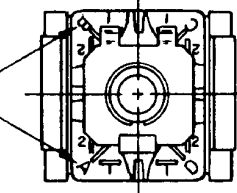
CHECK

65

JAN 19

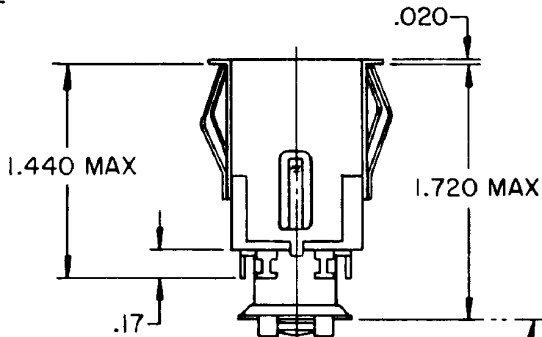


LAMP TERMINAL DESIGNATION A, B, C, D
 TWO TERMINALS PER LAMP



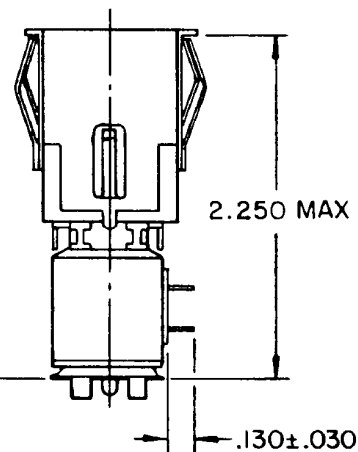
KEYWAY FOR ORIENTATION OF SWITCH UNITS

OPERATOR INDICATOR



ASSEMBLY "REF" PLANE

OPERATOR INDICATOR WITH HOLDING COIL



NOTE -

- 1 - TERMINALS ARE PLATED FOR SOLDERING
- 2 - RELAMPABLE FROM FRONT OF PANEL WITHOUT TOOLS

| LAMP SOCKET POSITIONS | CATALOG LISTINGS | | | | SCALE | |
|-----------------------|--------------------|-------|--------|--------|--------|--|
| | OPERATOR INDICATOR | 6 VDC | 12 VDC | 28 VDC | 48 VDC | DO NOT SCALE PRINT |
| A, C | 2C204 | (A) | (A) | (B) | (A) | UNLESS OTHERWISE SPECIFIED DIMENSIONS ARE IN INCHES TOLERANCES ARE: ONE PLACE (.0) ± .030 TWO PLACE (.00) ± .015 THREE PLACE (.000) ± .005 ANGLES ± |
| A, B, C, D | 2C206 | (A) | (C) | (D) | (A) | |
| A, B, C, D | (C) | | | | | |
| A, B, C | (A) | | | | | |
| | | | | | | |
| | | | | | | WEIGHT |

RASTER

DRAWN

OM W 19 JAN 65



MICRO SWITCH
 FREEPORT, ILLINOIS, U.S.A.
 A DIVISION OF HONEYWELL
 FED. MFG. CODE 91929

**OPERATOR INDICATOR
 UNITS
 FLANGE MOUNT**

CATALOG LISTING
2 C 200 SERIES

CHART 2

THIS DRAWING COVERS A PROPRIETARY ITEM AND IS THE PROPERTY OF MICRO SWITCH, A DIVISION OF MINNEAPOLIS-HONEYWELL REGULATOR CO. THIS DRAWING IS NOT TO BE COPIED OR USED WITHOUT THE APPROVAL OF MICRO SWITCH.

CATALOG LISTING
2C200 SERIES CHART 2
 PAGE 1 OF 1

ISSUE
M
8

REVISIONS

| | | | |
|---|----------|--------|-----------|
| A | CO-82436 | JALA | 6 FEB 96 |
| B | CO-92836 | C.S.L. | 17 AUG 98 |
| C | CO-95794 | C.S.L. | 28 JAN 00 |

REPLACES

SR 11339
 SR 11339

RELEASE NO.

CHECK

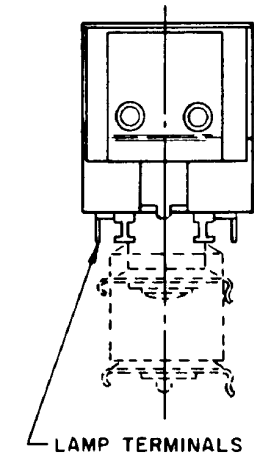
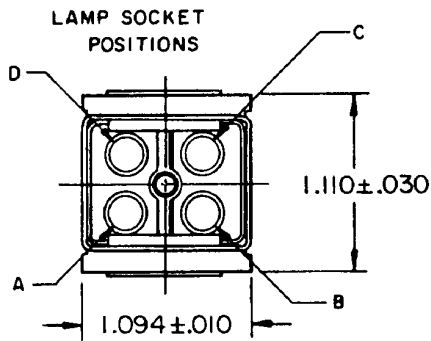
CSK 18 JAN 66

CHECK CSK

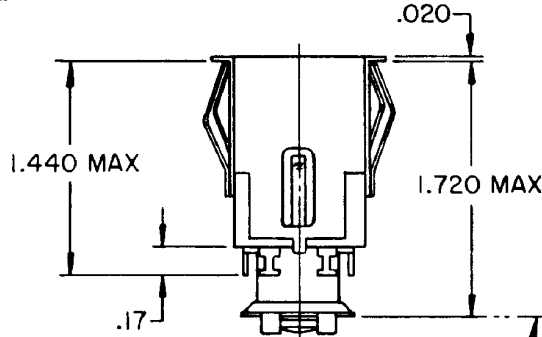
CSK 18 JAN 66

CHECK LSD

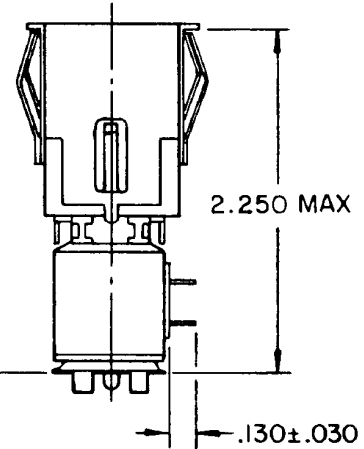
CSK 19 JAN 65



OPERATOR INDICATOR



OPERATOR INDICATOR WITH HOLDING COIL



LAMP TERMINAL DESIGNATION A, B, C, D
 TWO TERMINALS PER LAMP

KEYWAY FOR ORIENTATION OF SWITCH UNITS

NOTE -

- 1 - TERMINALS ARE PLATED FOR SOLDERING
- 2 - RELAMPABLE FROM FRONT OF PANEL WITHOUT TOOLS

| LAMP SOCKET POSITIONS | CATALOG LISTINGS | | | | SCALE | |
|-----------------------|--------------------|--------------------------------------|--------|--------|-------|--------|
| | OPERATOR INDICATOR | OPERATOR INDICATOR WITH HOLDING COIL | | | | |
| | | 6 VDC | 12 VDC | 28 VDC | | 48 VDC |
| A, C | 2C204 | (A) | | (B) | (A) | |
| A, B, C, D | 2C206 | (A) | (C) | 2C230 | (A) | |
| A, B, C, D | (C) | | | | | |
| A, B, C | (A) | | | | | |

DO NOT SCALE PRINT

UNLESS OTHERWISE SPECIFIED
 DIMENSIONS ARE IN INCHES

TOLERANCES ARE:

| | |
|---------------------|--------|
| ONE PLACE (0) | ± .030 |
| TWO PLACE (00) | ± .015 |
| THREE PLACE (000) | ± .005 |

ANGLES ±

WEIGHT

FORMTEK

DRAWN

OMW