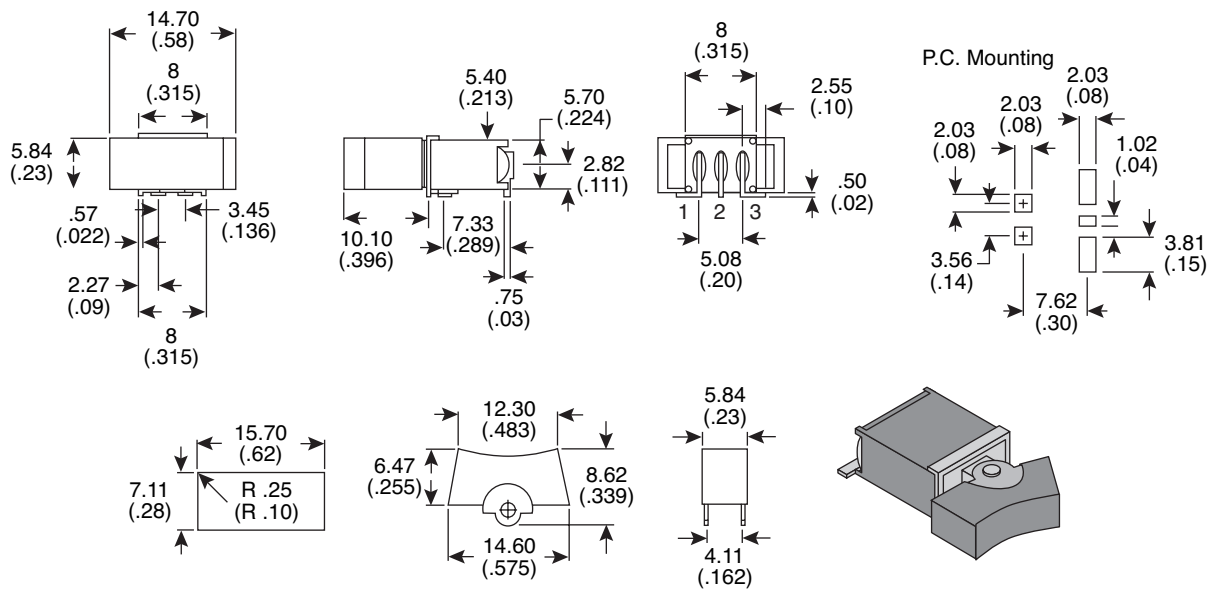


Dimensions: mm (In.)



POS. 1	POS. 2	POS. 3
ON	OFF	ON
2-3	OPEN	2-1

**Mechanical Specifications:**

- Mechanical Life: 50,000 make-and-break cycles.
- Operating Temperature: -30°C to 85°C

**Note:**

- RoHS compliant by exemption

**Electrical Specifications:**

- Rating: 0.4A (VA) max./ 20V max. (AC or DC)
- Contact Resistance: 20mΩ max. initial @ 2-4VDC 100mA
- Insulation Resistance: 1,000MΩ min.
- Dielectric Strength: 1,000 V RMS @ sea level

**Materials:**

- Case & Bushing: glass filled nylon 6/6, retardant, heat stabilized (UL94V-0)
- Actuator: nylon, black std. internal o-ring seal standard with all actuators
- Switch Support: brass or steel, tin plated.
- Terminals / Contact: gold plated with tin-lead

**Sealed Sub-Miniature Rocker Switch (SMT)**

103-7034-EVX



Available from Mouser Electronics

www.mouser.com

1-800-346-6873