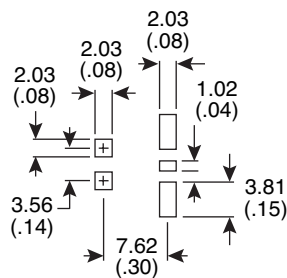
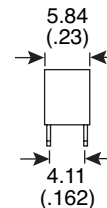
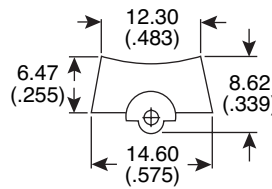
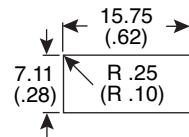
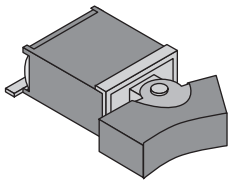
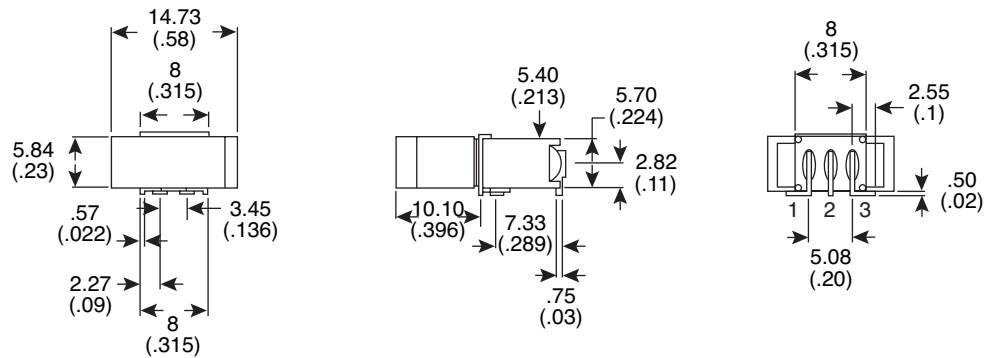


Dimensions: mm (In.)



P.C. MOUNTING

POS. 1	POS. 2	POS. 3
ON	NONE	ON
2-3	OPEN	2-1

SCHEMATIC

Electrical Specifications:

- Rating: 0.4 Amp (VA) max. / 20V max. (AC or DC)
- Contact Resistance: 20mΩmax. initial @ 2-4VDC 100mA
- Insulation Resistance: 1,000MΩmin.
- Dielectric Strength: 1,000 V RMS@ sea level

Materials:

- Case & Bushing: glass filled nylon 6/6, retardant, heat stabilized (UL94V-0)
- Actuator: nylon, black std. internal o-ring seal standard with all actuators
- Switch Support: brass or steel, tin plated.
- Terminals / Contact: gold plated with tin-lead

Mechanical Specifications:

- Mechanical Life: 50,000 make-and-break cycles.
- Operating Temperature: -30°C to 85°C

Note:

- RoHS compliant by exemption

Sealed Sub-Miniature Rocker Switch (SMT)

103-7030-EVX



Available from Mouser Electronics

www.mouser.com

1-800-346-6873