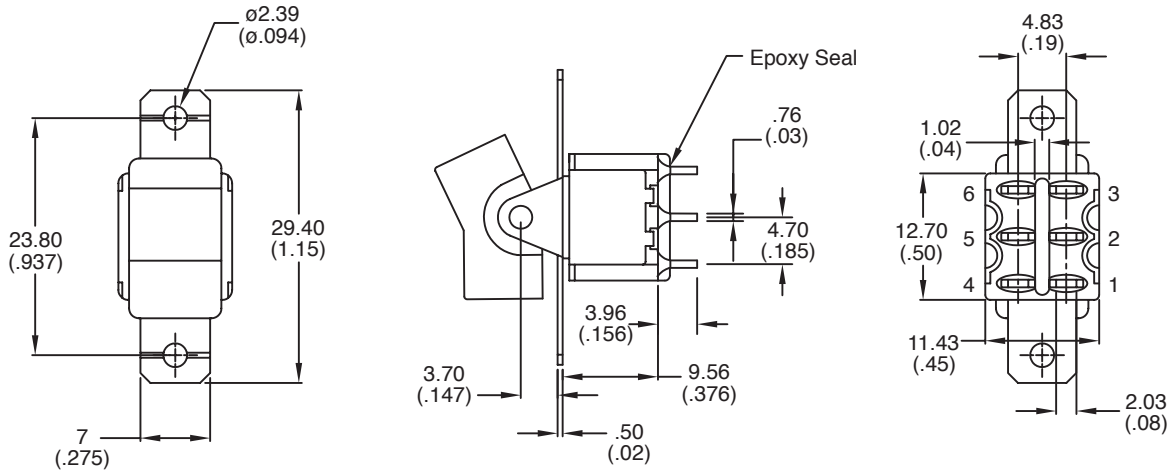
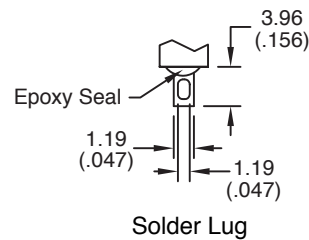


Dimensions: mm (In)



| POS.1 | POS.2 | POS.3 |
|---------|-------|---------|
| | | |
| ON | NONE | ON |
| 2-3,5-6 | OPEN | 2-1,5-4 |
| | | |

Switch Function



Electrical Specifications:

- Rating: 2A/250VAC, 5A/120VAC or 28VDC
- Contact Resistance: 10m Ω max. initial @ 2-4 VDC 100mA
- Insulation Resistance: 1000M Ω min.
- Dielectric Strength: 1000 V RMS @ sea level

Mechanical Specifications:

- Mechanical Life: 50,000 make-and-break cycles at full load.
- Operating Temperature: -30°C to 85°C

Materials:

- Case: Dially phthalate (DAP) (UL94v-0)
- Actuator: Nylon, black std.
- Bushing: Brass, nickel plated
- Housing: Stainless steel
- Switch Support: Brass, tin plated
- Terminals/Contact: Brass, Silver or Gold plated

Note:

- RoHS Compliant by exemption

Miniature Rocker Switch
103-7012-EVX



Available from Mouser Electronics

www.mouser.com

1-800-346-6873