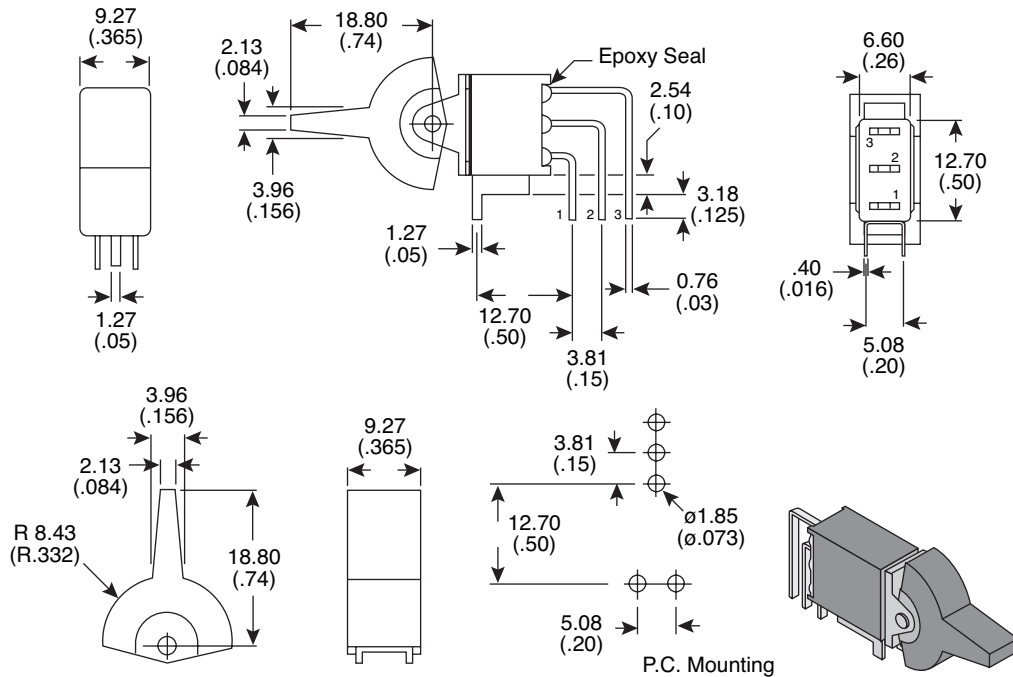


Dimensions: mm (In.)



POS. 1	POS. 2	POS. 3
ON	NONE	MOM
2-3		2-1
	OPEN	
Comm. 2-3		Comm. 2-1

Electrical Specifications:

- Rating: 2A/ 250 VAC
5A/120 VAC or 28VDC
- Contact Resistance: 10mΩmax. initial @ 2-4VDC 100mA
- Insulation Resistance: 1,000MΩmin.
- Dielectric Strength: 1,000 V RMS@ sea level

Mechanical Specifications:

- Mechanical Life: 30,000 make-and-break cycles.
- Operating Temperature: -30°C to 85°C

Materials:

- Case & Bushing: glass filled nylon 6/6, flame retardant, heat stabilized (UL94v-0)
- Actuator: nylon, black std. internal o-ring seal standard with all actuators
- Frame: spring steel, black std.
- Switch Support: brass or steel, tin plated.
- Terminals / Contact: silver or gold plated copper alloy
- Actuator pivot & mounting bracket: nylon
- Actuator pivot retainer: stainless steel

Note:

- RoHS compliant by exemption

Sealed Miniature Paddle Switch
103-7016-EVX



Available from Mouser Electronics

www.mouser.com

1-800-346-6873