

T-Series Single Pole Rocker & Paddle Switches



The predecessor to the Curvette series whose versatility has allowed it to stand the test of time. Traditional styling coupled with self cleaning contacts, integrated wire leads, a multitude of circuits, ratings, and actuator choices has made the TA/LTA-Series appeal to a wide range of markets, including Appliance, HVAC, Food service, Transportation.

Dielectric Strength

UL/CSA:
1000V - live to dead metal parts
VDE:
4000V - live to dead metal parts;
750V - across open contacts

Electrical Life

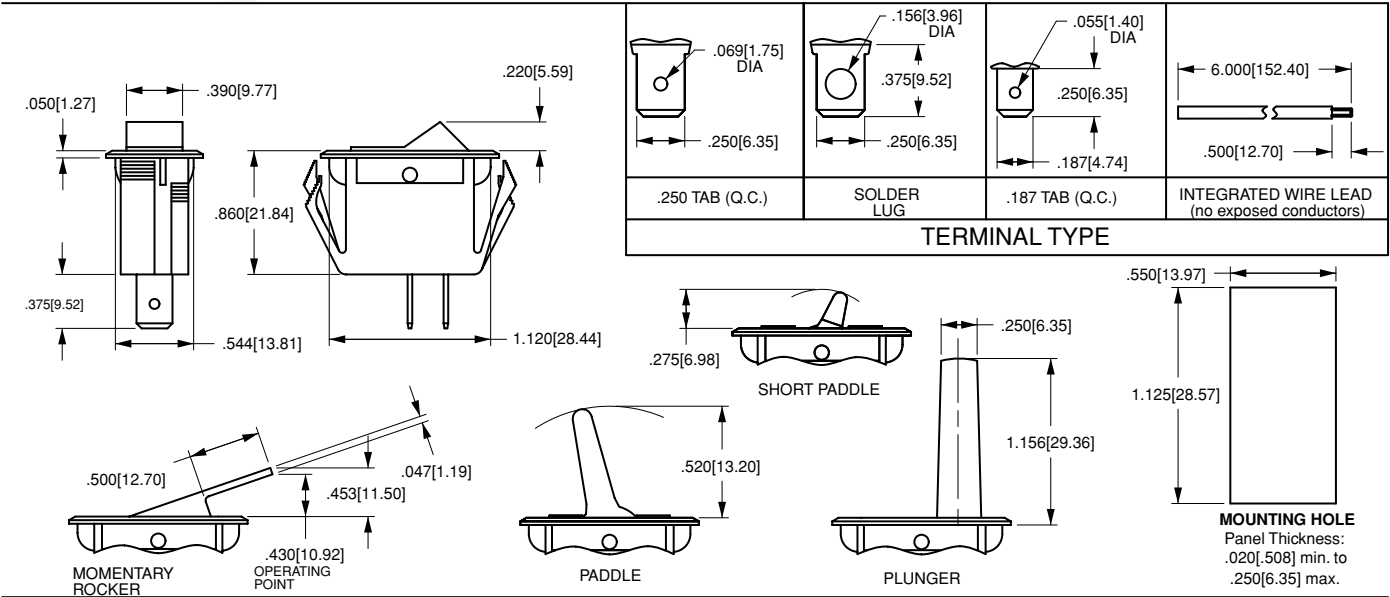
100,000 cycles

Mechanical Life

100,000 cycles

Operating Temperature

32°F to 185°F (0°C to 85°C)



TA201 - **T** **B** - **B**

1 Base Part Number

2 Actuator Style

3 Actuator Color

4 Bezel Color/Style

1 BASE PART NUMBER: SERIES/CIRCUITRY/RATING⁴/TERMINATION

	Solder Lugs	.250 Tabs	Wire Leads
10A 250 VAC, 15A 125 VAC, 3/4 HP 125-250 VAC			
ON-NONE-OFF	TA200	TA201	TA205
ON-NONE-ON	TB200	TB201	TB205
ON-OFF-ON	TC200	TC201	TC205
10A 250 VAC, 15A 125 VAC, 3/4 HP 125-250 VAC, 10(4) A 250VAC T85u⁶			
ON-NONE-OFF	TA800	TA801	TA805
ON-NONE-ON	TB800	TB801	TB805
ON-OFF-ON	TC800	TC801	TC805
5A 250 VAC, 10A 125 VAC, 1/2 HP 125-250 VAC			
(ON)-NONE-OFF	TA10A	TA10B	TA10F
ON-NONE-(OFF)	TA10L	TA10M	TA10T
ON-NONE-(ON)	TB10A	TB10B	TB10F
T-SERIES W/ PLUNGER ACTUATOR^{1,2}			
10A 250 VAC, 16A 125 VAC, 1/2 HP 125-250 VAC			
OFF-NONE-(ON)	-	TA25B-PLB-B	TA25F-PLB-B
ON-NONE-(OFF)	-	-	TA25T-PLB-B
T SERIES W/ MOMENTARY ROCKER ACTUATOR			
10A 250 VAC, 15A 125 VAC, 20A 125-250 VAC "H", 3/4 HP 125-250 VAC			
(ON)-NONE-OFF	-	TA22B-TLB-B	-
ON-NONE-(OFF)	-	TA22M-TLB-B	-

2 ACTUATOR STYLE

T	rocker	PS	short paddle
P	paddle		

3 ACTUATOR COLOR⁵

B	black	W	white
---	-------	---	-------

4 BEZEL COLOR⁵

B	black	W	white
---	-------	---	-------

NOTES

Imprinting is available. Consult factory.

1 Optional plunger support option is available for applications requiring extensive lateral travel, consult factory for details.

2 Maintained circuit not available with TA22 and TA25 Series.

3 .187 tab terminals also available. Consult factory for catalog number callout.

4 Additional ratings are available. Consult factory.

5 Additional colors are available. Consult factory.

6 UL, CSA & VDE Approved.

() Indicates momentary function.