



# MICRO SWITCH

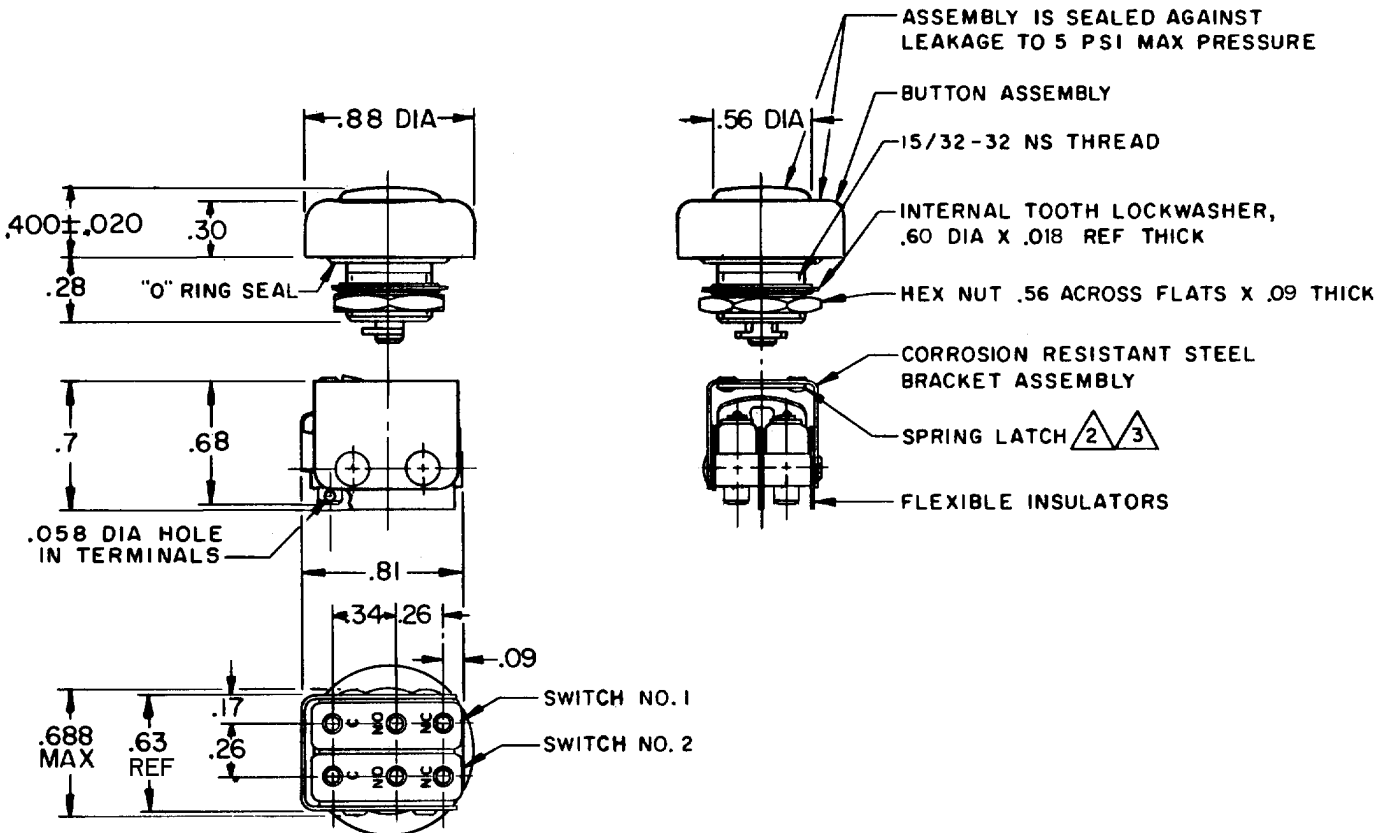
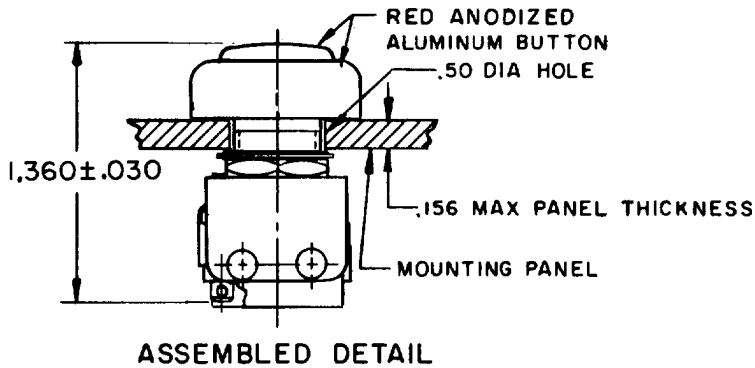
FREEPORT, ILLINOIS, U.S.A.  
A DIVISION OF HONEYWELL

FED. MFG. CODE 91929

# ASSEMBLY- PUSHBUTTON SWITCH

CATALOG LISTING

## 2PB43



### NOTES

- 1 - UNIT INCLUDES CATALOG LISTING "ISM" TYPE BASIC SWITCH (2)
- 2 SPRING LATCH PERMITS ASSEMBLY AND DISASSEMBLY AS REQUIRED
- 3 "D" SHAPED HOLE IN SPRING LATCH PREVENTS ROTATION BETWEEN THE TWO PARTS
- 4 - ASSEMBLY IS COMPLETED AFTER INSTALLING BUTTON TO PANEL
- 5 - SWITCHES DO NOT NECESSARILY OPERATE SIMULTANEOUSLY
- 6 - TERMINALS ARE PLATED FOR SOLDERING

THIS DRAWING COVERS A PROPRIETARY ITEM AND IS THE PROPERTY OF MICRO SWITCH, A DIVISION OF HONEYWELL. THIS DRAWING IS NOT TO BE COPIED OR USED WITHOUT THE APPROVAL OF MICRO SWITCH.

### CHARACTERISTICS

OPERATING FORCE --- 2 1/2 LB APPROX  
PLUNGER TRAVEL --- .062 APPROX

### ELECTRICAL DATA

CONTACT ARRANGEMENT S P D T (2)	
250 VAC	5 AMP
30 VOLTS DC RATING	
INDUCTIVE	SEA LEVEL --- 3 AMP
	50,000 FT --- 2.5 AMP
RESISTIVE	SEA LEVEL --- 5 AMP
	50,000 FT --- 5 AMP
MAXIMUM INRUSH	24 AMP

### SCALE FULL

DO NOT SCALE PRINT

UNLESS OTHERWISE NOTED

DIMENSIONS ARE IN INCHES

### TOLERANCES ARE:

ONE PLACE (.0)	±.030
TWO PLACE (.00)	±.015
THREE PLACE (.000)	±.005
ANGLES	±

WEIGHT

2PB43

PAGE 1 OF 1

M

DRAWING NUMBER

6

ISSUE

REPLACES

RELEASE NO.

CHECK

CHECK

GD

BAR

SD

CHECK

LS

65

2 APRIL

FORMTEK

DRAWN

FC-90378

M B F