

AI

MICRO SWITCH

A DIVISION OF MINNEAPOLIS-HONEYWELL REGULATOR COMPANY
PREPONT, ILLINOIS

FED. MFR. CODE 91929

**ASSEMBLY-
PUSHBUTTON SWITCH**

CATALOG LISTING
2PB28-T

2PB28-T

PAGE 1 OF 1

M

DRAWING NUMBER

9

ISSUE

REPLACES

RELEASE NO. SR 5248

20 FEB 66

RJ

CHECK

24 MAY 66

CHECK

ACE

CHECK

23 FEB 66

CHECK

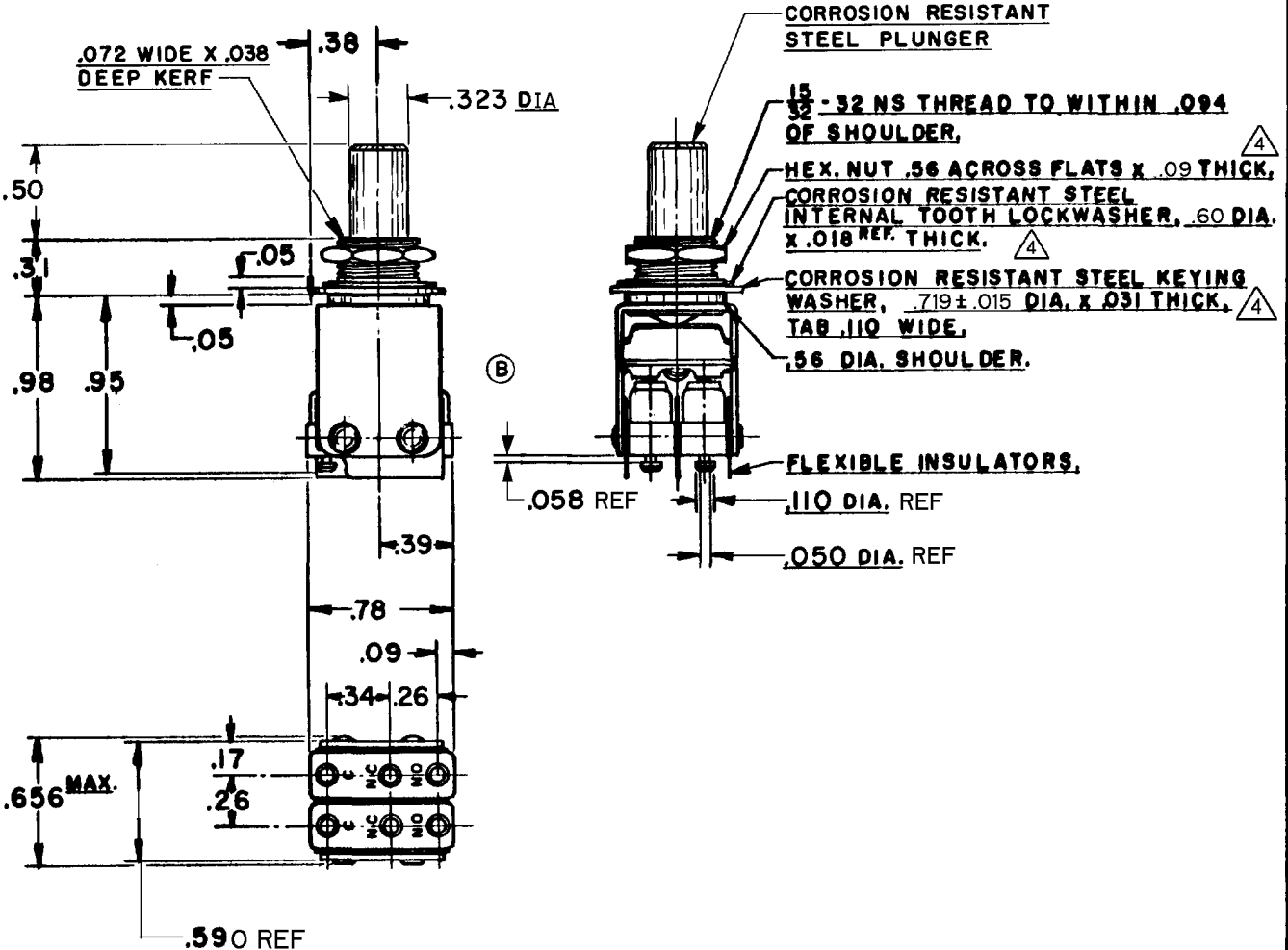
29 MAY 66

CHECK

15 MAY 56

DRAWN

K.F.M.



NOTE
 1- UNIT INCLUDES "IISM" TYPE BASIC SWITCH (2) Ⓣ
 2- TERMINALS ARE PLATED FOR SOLDERING
 3- SWITCHES DO NOT NECESSARILY OPERATE SIMULTANEOUSLY
 ⓐ MOUNTING HARDWARE FURNISHED UNASSEMBLED

THIS DRAWING COVERS A PROPRIETARY ITEM AND IS THE PROPERTY OF MICRO SWITCH, A DIVISION OF HONEYWELL. THIS DRAWING IS NOT TO BE COPIED OR USED WITHOUT THE APPROVAL OF MICRO SWITCH.

CHARACTERISTICS	ELECTRICAL DATA	SCALE FULL
OPERATING FORCE --- 30 OZ APPROX Ⓣ	CONTACT ARRANGEMENT (2) SPD.T	DO NOT SCALE PRINT
PRETRAVEL --- .040 APPROX	250 VAC --- 5 AMP 30 VOLTS DC RATING	UNLESS OTHERWISE SPECIFIED DIMENSIONS ARE IN INCHES
TOTAL TRAVEL --- .110 APPROX. ⓐ	INDUCTIVE --- SEA LEVEL --- 3 AMP 50,000 FT. --- 2.5 AMP	TOLERANCES ARE:
DIFFERENTIAL TRAVEL --- .050 MAX.	RESISTIVE --- SEA LEVEL --- 5 AMP 50,000 FT. --- 5 AMP	ONE PLACE (.0) ±.030 TWO PLACE (.00) ±.015 THREE PLACE (.000) ±.008 ANGLES ±
	MAXIMUM INRUSH --- 24 AMP	WEIGHT