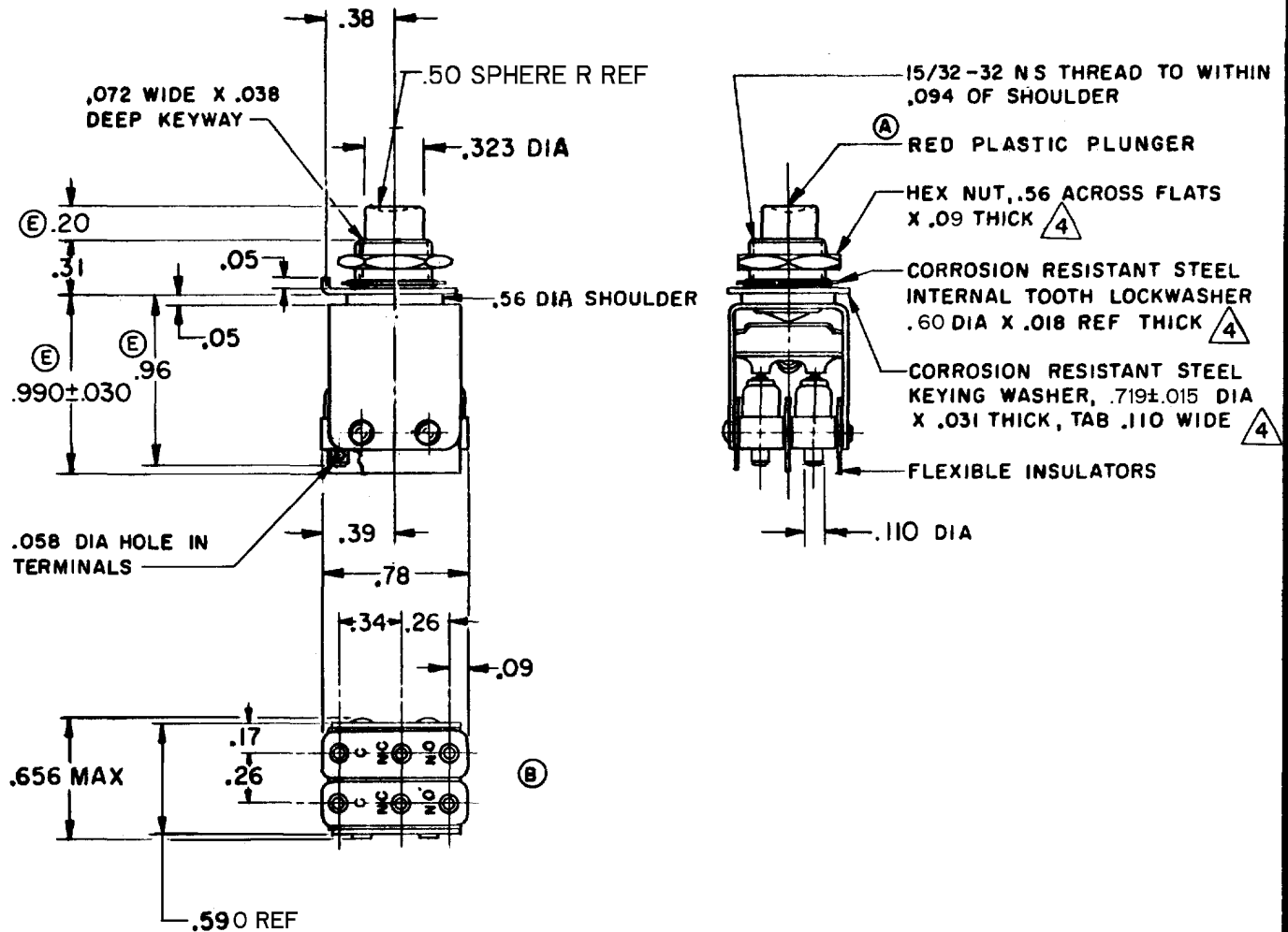


# MICRO SWITCH

A DIVISION OF MINNEAPOLIS-HONEYWELL REGULATOR COMPANY  
 FREEPORT, ILLINOIS  
 FED. MFR. CODE 91929

# ASSEMBLY - PUSHBUTTON SWITCH

CATALOG LISTING  
**2PB281**



### NOTES

- 1 - UNIT INCLUDES "IISM TYPE" BASIC SWITCH (2) (D)
- 2 - TERMINALS ARE PLATED FOR SOLDERING
- 3 - SWITCHES DO NOT NECESSARILY OPERATE SIMULTANEOUSLY
- (4) MOUNTING HARDWARE FURNISHED UNASSEMBLED

THIS DRAWING COVERS A PROPRIETARY ITEM AND IS THE PROPERTY OF MICRO SWITCH, A DIVISION OF MINNEAPOLIS-HONEYWELL REGULATOR CO. THIS DRAWING IS NOT TO BE COPIED OR USED WITHOUT THE APPROVAL OF MICRO SWITCH.

CHARACTERISTICS	ELECTRICAL DATA	SCALE FULL
OPERATING FORCE --- 30 OZ APPROX (C)	CONTACT ARRANGEMENT S P D T (2)	DO NOT SCALE PRINT
PRETRAVEL --- .040 APPROX	250 VAC --- 5 AMP	UNLESS OTHERWISE SPECIFIED
DIFFERENTIAL TRAVEL --- .050 MAX	30 VOLTS DC RATING	DIMENSIONS ARE IN INCHES
(E) TOTAL TRAVEL --- .110 APPROX	INDUCTIVE --- SEA LEVEL --- 3 AMP	<b>TOLERANCES ARE:</b>
	50,000 FT. --- 2.5 AMP	ONE PLACE (.0) ± .030
	RESISTIVE --- SEA LEVEL --- 5 AMP	TWO PLACE (.00) ± .018
	50,000 FT. --- 5 AMP	THREE PLACE (.000) ± .008
	MAXIMUM INRUSH --- 24 AMP	ANGLES ± .008
		WEIGHT

**2PB281**  
 PAGE 1 OF 1  
**M**  
 DRAWING NUMBER  
**M12**  
 ISSUE  
 RELEASE NO. SR 8835  
 26 OCT 98  
 CHECK JAF  
 26 FEB '60  
 CHECK EAS  
 26 FEB '60  
 CHECK DAW  
 26 FEB '60  
 CHECK K  
 26 FEB '60  
 CHECK L  
 26 FEB '60  
 CHECK PPF  
 26 OCT 98  
 CHECK CO-94273  
 15 APR 99  
 CHECK GJW  
 15 APR 99  
**FORMTEK**  
 FO-30378  
 DRAWN