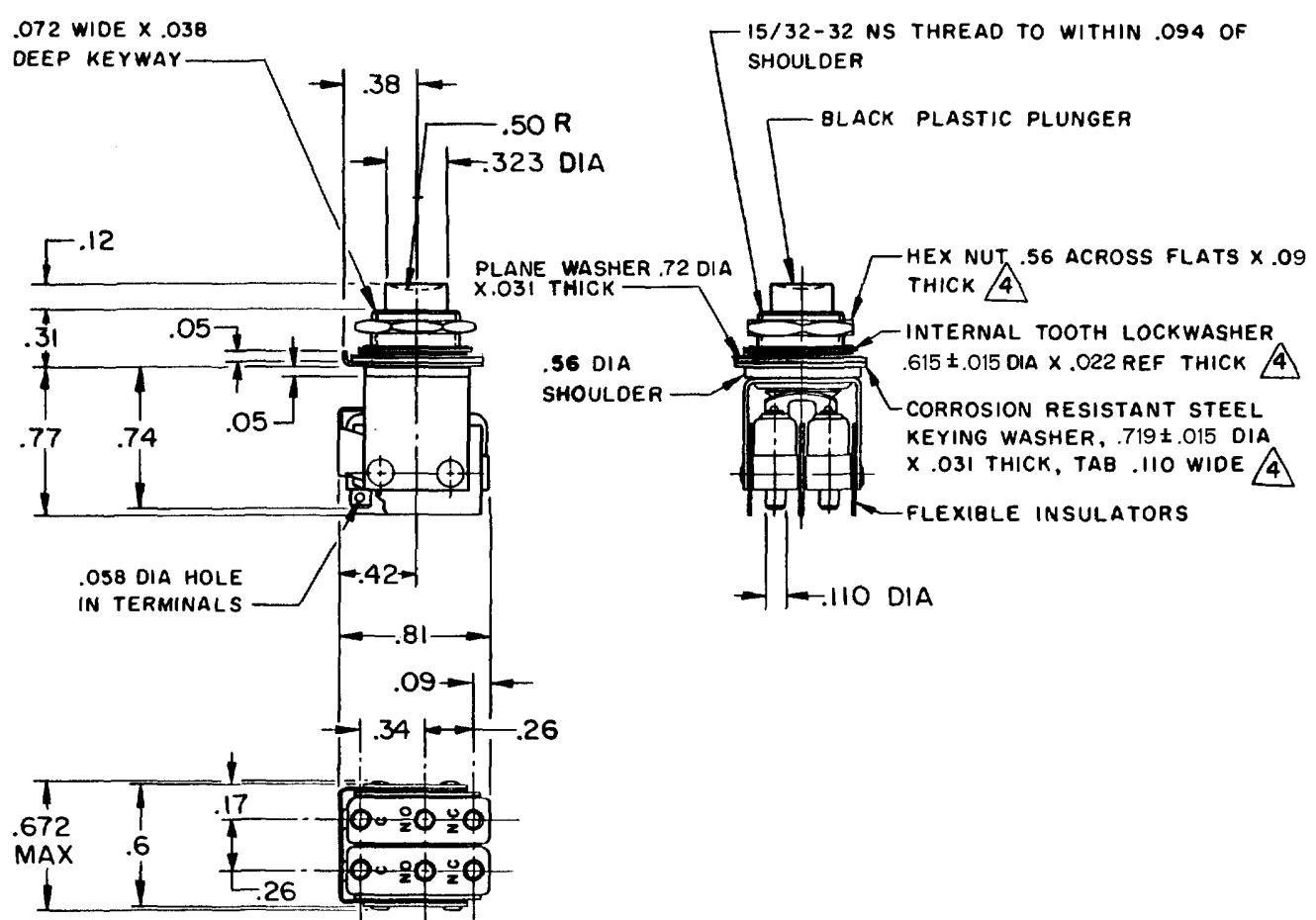


A3
 2PB2
 PAGE 1 OF 1
 M
 DRAWING NUMBER
 9
 ISSUE
 REVISIONS
 A CO19743
 M B F
 26 MAR 65
 B CO31782
 D B W
 16 MAR 73
 C CO-93593
 P P F
 22 OCT 98
 JAF
 22 OCT 98
 JAF
 22 OCT 98
 LSD
 APR 65
 LSD
 MAR 65
 M B F
 26 MAR 65
 DRAWN
 FC-50378



- NOTES**
- 1-UNIT INCLUDES CAT. LIST, "ISM" TYPE BASIC SWITCH (2)
 - 2-TERMINALS ARE PLATED FOR SOLDERING
 - 3-BASIC SWITCHES OPERATE WITHIN .008 OF EACH OTHER (PUSHBUTTON PLUNGER TRAVEL)
 - 4 MOUNTING HARDWARE FURNISHED UNASSEMBLED

THIS DRAWING COVERS A PROPRIETARY ITEM AND IS THE PROPERTY OF MICRO SWITCH, A DIVISION OF HONEYWELL. THIS DRAWING IS NOT TO BE COPIED OR USED WITHOUT THE APPROVAL OF MICRO SWITCH.

CHARACTERISTICS	ELECTRICAL DATA	SCALE FULL
OPERATING FORCE -- 1 1/2 LB APPROX	CONTACT ARRANGEMENT S P D T (2)	DO NOT SCALE PRINT
	250 VAC ----- 5 AMP	UNLESS OTHERWISE NOTED
	30 VOLTS DC RATING	DIMENSIONS ARE IN INCHES
	INDUCTIVE ----- SEA LEVEL ----- 3 AMP	TOLERANCES ARE:
	50,000 FT ----- 2.5 AMP	ONE PLACE (.0) ±.030
	RESISTIVE ----- SEA LEVEL ----- 5 AMP	TWO PLACE (.00) ±.015
	50,000 FT ----- 5 AMP	THREE PLACE (.000) ±.005
	MAXIMUM INRUSH ----- 24 AMP	ANGLES ±
		WEIGHT