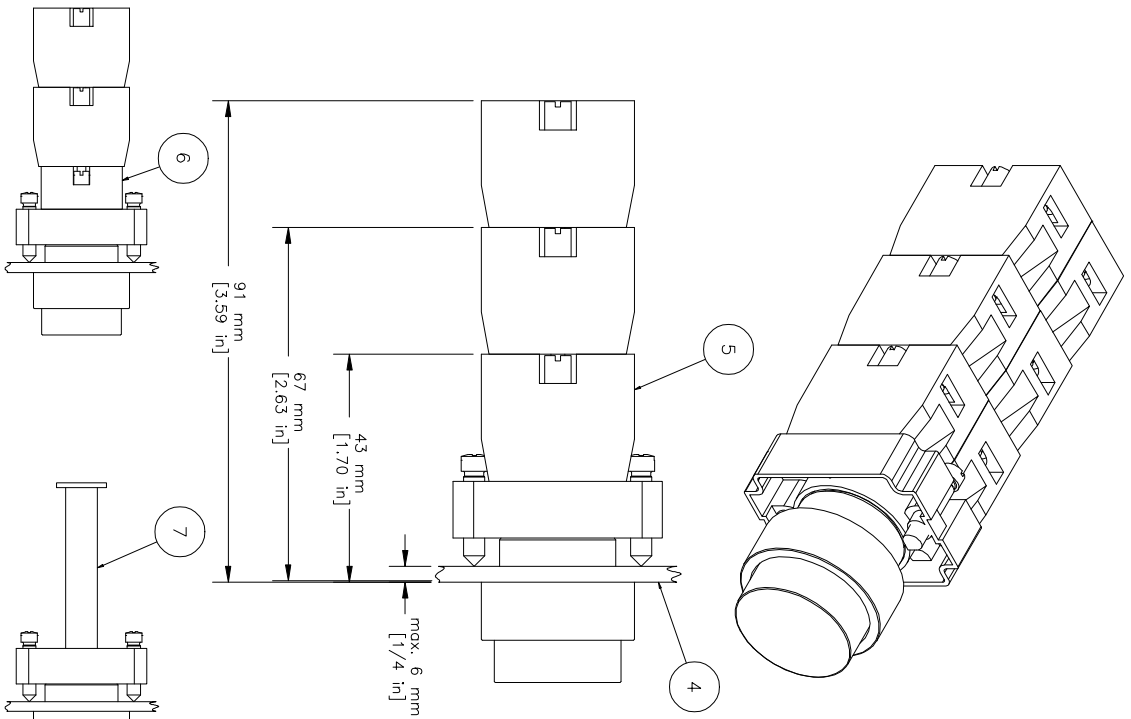
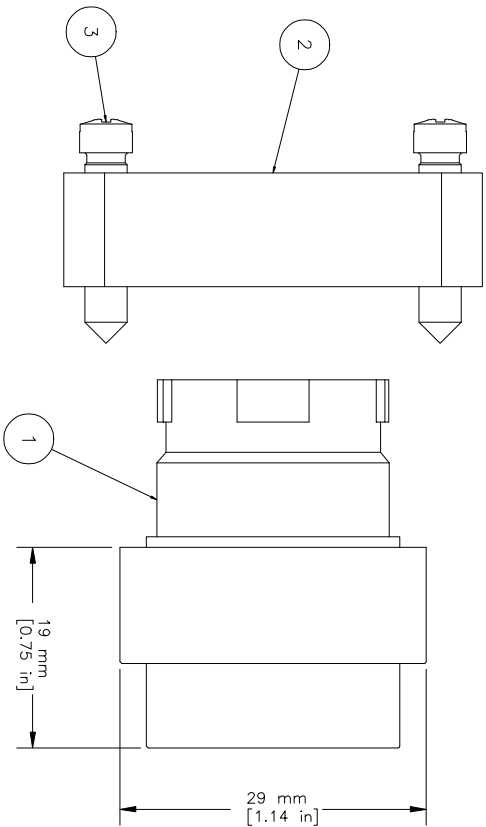


REVISIONS FOR DWG # 1PB-2APX				
REV	CH. NO.	DESCRIPTION	DATE	REVISED BY
-	-	ORIGINAL DESIGN	09/14/07	Phil E.



Shown with  
Push-Push mechanism

Shown with  
Remote attachment

ITEM	DESCRIPTION	CAT. NO.	COLOR	MIN. QTY.	MAX. QTY.
1	Projecting Operator (comes with mounting bracket 2BRK)	2AP1	White	1	1
		2AP2	Black	1	1
		2AP3	Green	1	1
		2AP4	Red	1	1
		2AP6	Blue	1	1
		2AP8	Yellow	1	1
		2BRK	-	1	1
		2	Mounting Bracket	2BRK	-
3	Mounting Bracket Screws	Incl. in 2BRK	-	2	2
4	Panel	-	-	-	-
5	Switch Contacts	S1	Green	1	6
		S2	Red	1	6
		S3	Green/Gray	1	6
		S4	Red/Gray	1	6
6	Maintained Action Block	2PPM	Black	1	1
7	Remote Attachment	Add Suffix "RR"	-	1	1

UNLESS OTHERWISE SPECIFIED  
ALL DIMENSIONS ARE IN MILLIMETERS

THIRD ANGLE PROJECTION

TOLERANCE  
XX ±1 mm  
XX X ±0.5 mm  
XX.XX ±0.2 mm  
ALL - mm

This Drawing is the property of

**Attech Corp.**

35 Royal Road  
Flemington NJ 08822-6000  
(908) 806-9400 • Fax (908) 806-9490

AND IS A CONFIDENTIAL DISCLOSURE  
LENT WITHOUT CONSIDERATION OTHER  
THAN THE BORROWER'S AGREEMENT  
THAT IT SHALL NOT BE REPRODUCED,  
COPIED, LENT, OR DISPOSED OF  
DIRECTLY OR INDIRECTLY NOR USED  
FOR ANY PURPOSE OTHER THAN THAT  
FOR WHICH IT IS SPECIFICALLY  
FURNISHED.

TITLE: 22 mm Non-Illuminated Projecting Metal  
Operator ZAPX (x=color)

DRAWN BY:	09/14/07	DRAWING NO.:	REV.:
Philip Ernstberger		1PB-2APX	-
CHECKED BY:	09/14/07		
Laszlo Gyorgypal			
RELEASED BY:	09/14/07	SCALE: -	SHEET: 1 OF: 1
Laszlo Gyorgypal			