



Features/Benefits

- Excellent tactile feel
- Wide variety of LED's, travel and actuation forces
- Designed for low-level switching
- Detector version available

Typical Applications

- Automotive
- Industrial electronics
- Computers & network equipment

Construction

FUNCTION: momentary action
 CONTACT ARRANGEMENT: 1 make contact = SPST, N.O.
 DISTANCE BETWEEN BUTTON CENTERS:
 min. 7,5 and 11,8 (0.295 and 0.465)
 TERMINALS: Snap-in pins, tinned
 MOUNTING: Soldered by PC pins, locating pins
 PC board thickness: 1,5 (0.0591)

Mechanical

TOTAL TRAVEL/SWITCHING TRAVEL: 1,5/0,9 (0.059/0.035)
 OPERATING FORCE: 5 N OR 3 N (500 grams or 300 grams);
 2 N OD (200 grams) without snap-point as detector switch
 PROTECTION CLASS: IP 40 according to DIN/IEC 529

- 1) Voltage rise: 300 V/s
 2) According to DIN 41640; IEC 512-2
 3) Higher values upon request

NOTE: Specifications listed above are for switches with standard options.
 For information on specific and custom switches, consult Customer Service Center.

Electrical

SWITCHING POWER MIN./MAX.: 0.02 mW / 3 W DC
 SWITCHING VOLTAGE MIN./MAX.: 2 V DC / 30 V DC
 SWITCHING CURRENT MIN./MAX.: 10 μ A / 100 mA DC
 DIELECTRIC STRENGTH (50 Hz)¹⁾²⁾: \geq 300 V
 OPERATING LIFE: \geq 2 x 10⁶ operations³⁾
 \geq 1 X 10⁶ operations for SMT version
 CONTACT RESISTANCE: Initial \leq 50 m Ω
 INSULATION RESISTANCE: \geq 10¹⁰ Ω
 BOUNCE TIME: \leq 1 ms
 Operating speed 100 mm/s (3.94/s)

Environmental

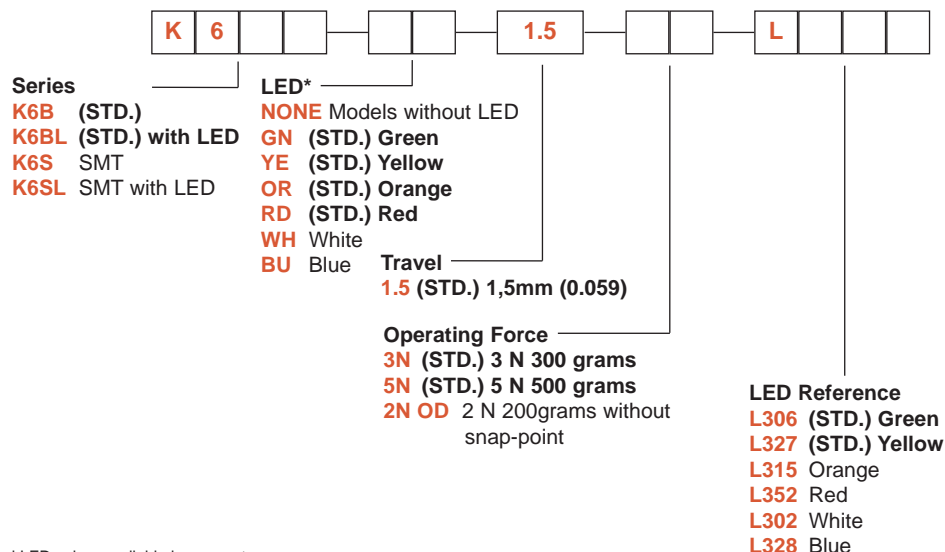
OPERATING TEMPERATURE: -40°C to 85°C.
 STORAGE TEMPERATURE: -40°C to 95°C.

Process

SOLDERABILITY:
 Maximum soldering time and temperature:
 5 s at 260°C; Hand soldering 3 s at 350°C.

How To Order

Our easy build-a-switch concept allows you to mix and match options to create the switch you need. To order, select desired option from each category and place it in the appropriate box.

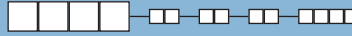


* Additional LED colors available by request



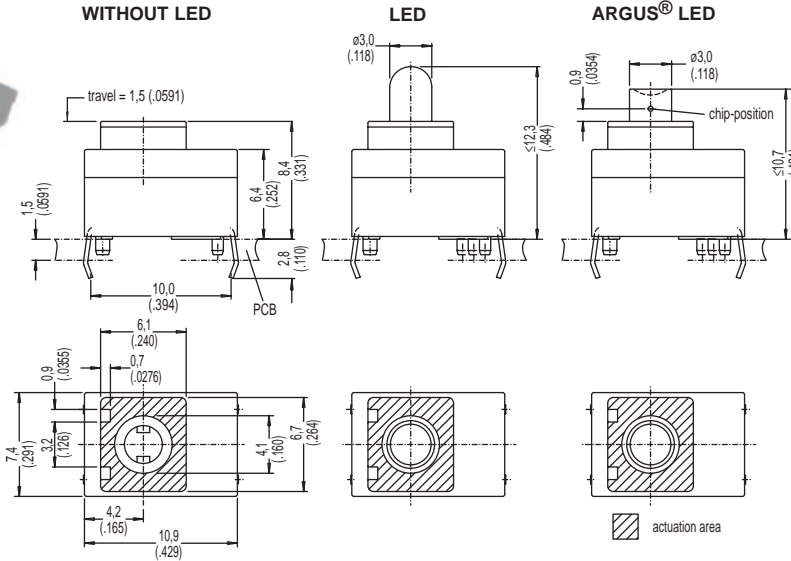
K6 Miniature Key Switches

SERIES

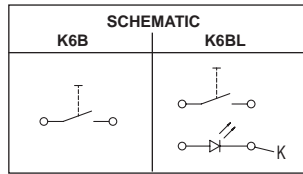
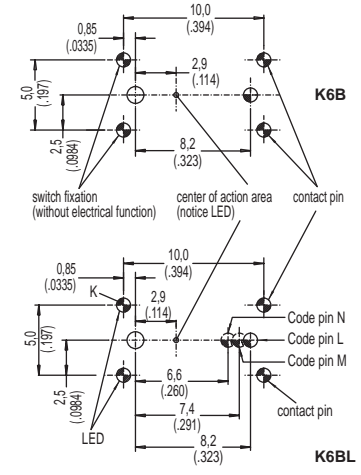


K6B Without LED

K6BL With LED



PCB LAYOUT, MOUNTING SIDE



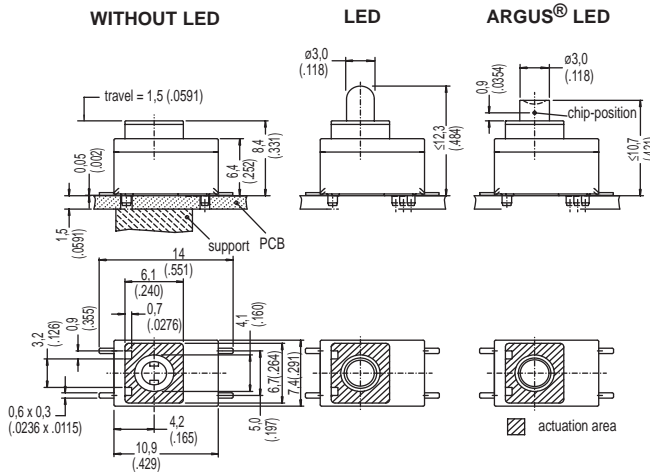
Hole	Ø	Without LED	With LED	Description	Terminal Section	Surface
	1,2+0,1 (.0471+.00349)	1x	1x	center hole		
	0,9+0,1 (.0354+.00349)	1x	1x	code (L,M,N)		
	1,0+0,1 (.0354+.00349)	4x	2x	LED switch	0,6 x 0,3 (.0236 x .0118)	SnPb



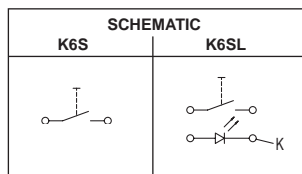
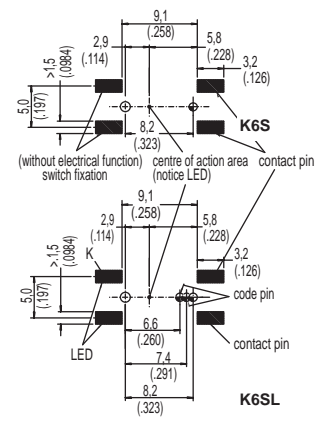
D

K6S Without LED

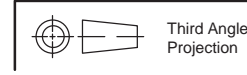
K6SL With LED




PCB LAYOUT, MOUNTING SIDE



Hole	Ø	Without LED	With LED	Description
	1,2+0,1 (.0471+.00349)	1x	1x	center hole
	0,9+0,1 (.0354+.00349)	1x	1x	code (L,M,N)



Dimensions shown in: mm (inch)
Dimensions subject to change

LED 

OPTION CODE	COLOR
NONE	Models without LED
GN	Green
YE	Yellow
OR	Orange
RD	Red
WH	White
BU	Blue

Additional LED colors available by request

TRAVEL 

1.5 (STD.) 1.5 mm

OPERATING FORCE 

OPTION CODE	OPERATING FORCE
3N	(STD.) 3 N, 300 g
5N	(STD.) 5 N, 500 g
2N OD	2 N, 200g without snap-point

LED REFERENCE 

OPTION CODE	COLOR
L306	Green
L327	Yellow
L315	Orange
L352	Red
L302	White
L328	Blue



Key Switches