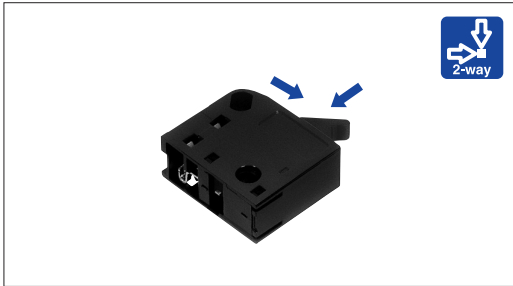


# Detector Switch Two-way Detection Type with Female Connector Terminal

SSCW Series



A connector type detector switch eliminates the need for solder.



## Typical Specifications

Items		Specifications
Rating (max.) / (min.) (Resistive load)		0.1A 12V DC/100 $\mu$ A 3V DC
Contact resistance (Initial/After operating life)		500m $\Omega$ max./1 $\Omega$ max.
Operating force		1N max.
Operating life	Without load	100,000cycles
	With load	100,000cycles (0.1A 12V DC)

## Detector

Push

Slide

Rotary

Encoders

Power

Dual-in-line  
Package Type

TACT Switch™

Custom-  
Products

## Product Line

Poles	Positions	Terminal type	Minimum order unit (pcs)	Product No.
1	1	Female connector type	10,000	SSCW110101

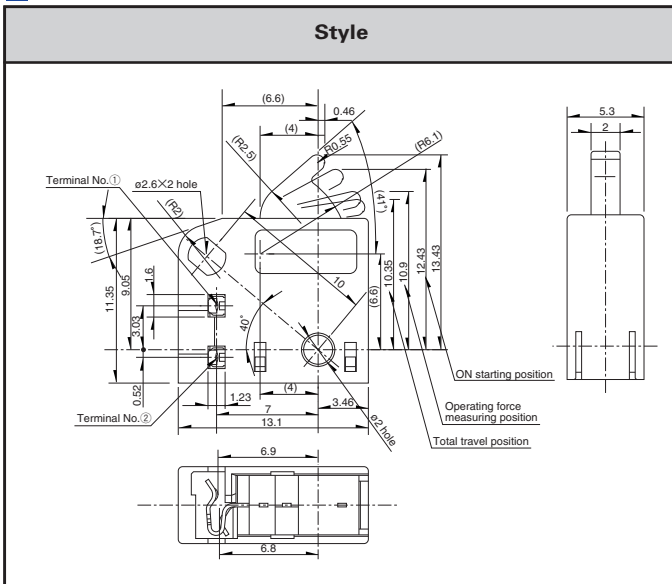
## Packing Specifications

### Bulk

Number of packages (pcs.)		Export package measurements (mm)
1 case /Japan	1 case /export packing	
2,000	10,000	389 × 276 × 380

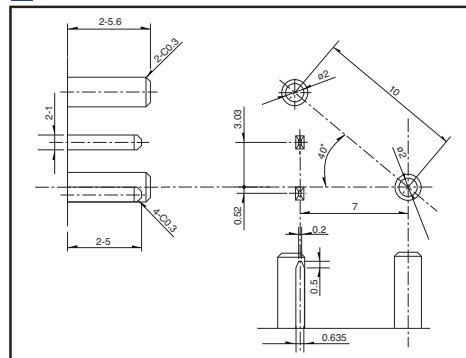
## Dimensions

Unit:mm

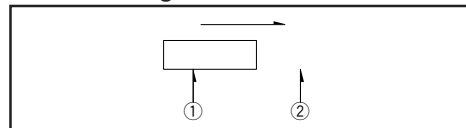


## Recommended Unit Terminal form

Unit:mm



## Circuit Diagram



## Note

Please place purchase orders per minimum order unit N (integer).



Automotive  
Use

## List of Varieties (General-purpose Type / Water-proof Type)

- Detector
- Push
- Slide
- Rotary
- Encoders
- Power
- Dual-in-line Package Type
- TACT Switch™
- Custom-Products

Series	General-purpose Type				Water-proof Type			
	SPVT	SPVL	SSCW	SPVQ5	SPVQ1	SPVQ3	SPVQ4H	
Photo								
Operation type					 			
Operating temperature range	-40°C to +85°C							
Automotive use	●	●	●	●	●	●	●	
Rating (max.) (Resistive load)	50mA 20V DC	1mA 5V DC	0.1A 12V DC					
Rating (min.) (Resistive load)	100μA 3V DC	50μA 3V DC	100μA 3V DC	50μA 3V DC		50μA 5V DC or 1mA 5V DC	1mA 5V DC	
Electrical performance	Initial contact resistance	500mΩ max.	2Ω max.	500mΩ max.				
	Insulation resistance	100MΩ min. 100V DC		100MΩ min. 250V DC	100MΩ min. 500V DC			
	Voltage proof	100V AC for 1 minute		250V AC for 1 minute	500V AC for 1 minute			
Mechanical performance	Terminal strength	0.5N for 1 minute	1N for 1 minute	3N for 1 minute Wire strength 30N for 1minute Applicable to product with wire		Wire strength 30N for 1minute		
	Actuator strength	10N	5N	20N				
Durability	Operating life without Load	100,000cycles 1Ω max.	50,000cycles 5Ω max.	100,000cycles 1Ω max.	300,000cycles 1Ω max.	300,000cycles or 1,200,000cycles 1Ω max.	300,000cycles 1Ω max.	
	Operating life with Load	(50mA 20V DC) 100,000cycles 1Ω max.	(1mA 5V DC) 50,000cycles 5Ω max.	(0.1A 12V DC) 100,000cycles 1Ω max.	(0.1A 12V DC) 300,000cycles 1Ω max.	(0.1A 12V DC) 300,000cycles or 1,200,000 cycles 1Ω max.	(0.1A 12V DC) 300,000cycles 1Ω max.	
Environmental performance	Cold	-40±2°C for 500h						
	Dry heat	85±2°C for 500h						
	Damp heat	40±2°C, 90 to 95%RH for 500h	60±2°C, 90 to 95%RH for 500h					
Dimensions (mm)	W	5.6	5.55	13.1	13.8	13.3	13	19
	D	6.5	6.6	11.35		5.8		6
	H	1.9	1	5.3	5.8	8	8.35	11.9
Soldering	Manual soldering	350±5°C, 3s max.			300±10°C, 3 <sup>+1</sup> s		—	
	Dip soldering	—			260±5°C, 5±1s		—	
	Reflow soldering	Please see P.97						
Number of poles	1							
Operation force	0.4N max.	0.35N max.	1N max.	2N max.	2N max. 5.9N max.	3N max.		
Page	68	71	72	73	74	78	84	

- Detector Switches Soldering Conditions .....97
- Detector Switches Cautions .....98

### Note

●marks in "Available for automotive use" indicate that all of the series products can work at the operating temperature range from -40°C to +85°C.