

**MICRO SWITCH**  
 FREEPORT ILLINOIS, U.S.A  
 A DIVISION OF HONEYWELL  
 FED. MFG. CODE 91929

**MINIATURE PRECISION  
 LIMIT SWITCH**

CATALOG LISTING  
**924CE2-S6**

**924CE2-S6**

**M**

DRAWING  
 NUMBER

**2**

ISSUE

REPLACES  
 RELEASE NO. PR-16015

CHECK

CHECK

CHECK

CHECK

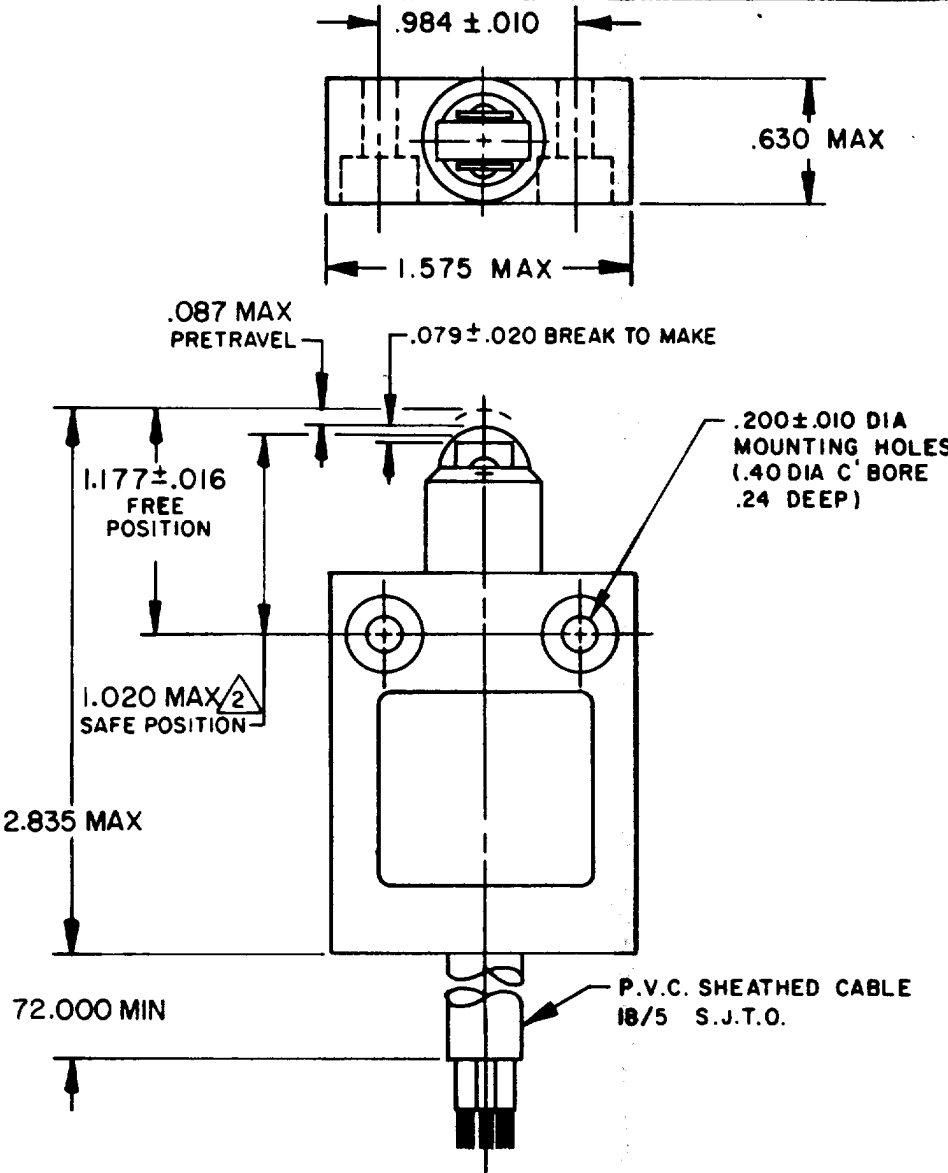
DEC 87

REVISIONS

A C069061

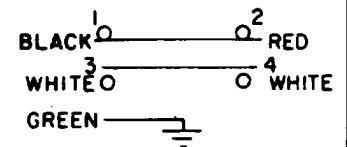
LJF  
 15 AUG 91

FO-52846-A  
 DRAWN



**NOTES**

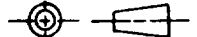
- 1 - ZINC HOUSING FINISHED WITH GRAY PAINT
- 2 - THE MINIMUM PLUNGER TRAVEL PAST BREAK, FOR A SAFE CONTACT GAP IS .060
- 3 - SWITCH PROVIDES BREAK BEFORE MAKE CIRCUITRY



**CIRCUIT DIAGRAM**

THIS DRAWING COVERS A PROPRIETARY ITEM AND IS THE PROPERTY OF MICRO SWITCH, A DIVISION OF HONEYWELL. THIS DRAWING IS NOT TO BE COPIED OR USED WITHOUT THE APPROVAL OF MICRO SWITCH.

THIRD ANGLE PROJECTION



CHARACTERISTICS
OPERATING FORCE ----- 5.1 LB MAX
OVERTRAVEL ----- .039 MIN

ELECTRICAL DATA
CONTACT ARRANGEMENT S P D T D B
10A - 250 VAC 1/3HP-125 OR 250 VAC

SCALE	FULL
DO NOT SCALE PRINT	
UNLESS OTHERWISE SPECIFIED TOLERANCES ARE	
ONE PLACE	(.0) ± .030
TWO PLACE	(.00) ± .015
THREE PLACE	(.000) ± .005
ANGLES	±
WEIGHT	