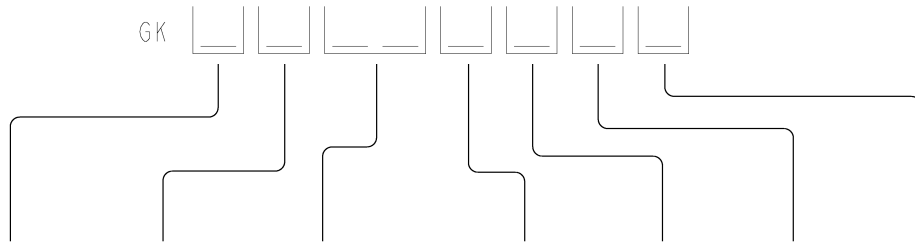


SOLENOID KEY OPERATED SAFETY INTERLOCK NOMENCLATURE



BODY / INDICATOR	CONDUIT / SEAL	BASIC	HEAD	KEY	TYPE / OVER-RIDE	VOLTAGE
L HEAD TO LEFT - WITH INDICATORS	A 1/2 NPT - VITON SEALS	2 1/2 SNAP ACTION DPDT	A OPENING TO FRONT WITHOUT DETENT	1 STRAIGHT	A SOLENOID UNLOCK WITH SCREWDRIVER	1 12 VDC
R HEAD TO RIGHT - WITH INDICATORS	B PG 13.5 - VITON SEALS	3 1/2 SLOW ACTING SPOT BSM	B OPENING TO RIGHT WITHOUT DETENT	2 90 DEGREE	SLOT OVER-RIDE	2 24 VDC
F HEAD TO LEFT - WITHOUT INDICATORS	C 20 MM - VITON SEALS	6 SLOW ACTING 2 NC	C OPENING TO BACK WITHOUT DETENT	3 UP-DOWN	B SOLENOID UNLOCK WITHOUT OVER-RIDE	3 48 VDC
G HEAD TO RIGHT - WITHOUT INDICATORS	D PF 1/2 - VITON SEALS	10 SLOW ACTING 4 NC	D OPENING TO LEFT WITHOUT DETENT	4 LEFT-RIGHT	C SAME AS "A" FOR GM ONLY	4 120 VAC
	E 1/2 NPT - BUNA-N SEALS	12 SLOW ACTING 2 NC - 1 NO BSM	E HEAD WITHOUT DETENT UNASSEMBLED TO BODY	X NO KEY	S SOLENOID LOCK WITH SCREWDRIVER	5 240 VAC
	F PG 13.5 - BUNA-N SEALS	14 SLOW ACTING 2 NC - 2 NO BSM	F OPENING TO FRONT WITH DETENT		T SOLENOID LOCK WITHOUT OVER-RIDE	6 24 VAC
	G 20 MM - BUNA-N SEALS	16 SLOW ACTING 3 NC - 1 NO BSM	G OPENING TO RIGHT WITH DETENT			
	H PF 1/2 - BUNA-N SEALS	30 2 SLOW ACTING 4 NC - GOLD	H OPENING TO BACK WITH DETENT			
		32 2 SLOW ACTING 2 NC - 1 NO BSM - GOLD	J OPENING TO LEFT WITH DETENT			
		34 2 SLOW ACTING 2 NC - 2 NO BSM - GOLD	K HEAD WITH DETENT UNASSEMBLED TO BODY			
		36 2 SLOW ACTING 3 NC - 1 NO BSM - GOLD				
		40 2 SLOW ACTING 4 NC				
		42 2 SLOW ACTING 2 NC - 1 NO BSM				
		44 2 SLOW ACTING 2 NC - 2 NO BSM				
		46 2 SLOW ACTING 3 NC - 1 NO BSM				

NOTES

- 1 - ZINC DIECAST BODY AND HEAD WITH STEEL COVER. BODY, HEAD AND COVER FINISHED WITH EPOXY PAINT
- 2 - HEAD E AND K IS SHIPPED UNATTACHED AND MAY BE INDEXED IN 90° INCREMENTS. REATTACH WITH SECURITY SCREWS PROVIDED
- 3 - THE LEFT INDICATOR IS GREEN AND THE RIGHT INDICATOR IS RED. NOT PRESENT ON BODY/INDICATOR CODES F OR G
- 4 - MAXIMUM OPERATING FREQUENCY (f_{max}) = 100 OPS/MIN
- 5 - INSERTION FORCE = 20 N MAX
5 LB
EXTRACTION FORCE = 2 N MAX
5 LB
- HEADS F, G, H, J AND K
INSERTION FORCE = 55 N MAX
12 LB
EXTRACTION FORCE = 35 N MAX
8 LB
MAXIMUM SOLENOID LOCKING FORCE = 1000 N
224 LB
- 6 - ROTATE 1/4 TURN COUNTERCLOCKWISE TO UNLOCK DEVICES WITH HEAD TO LEFT, SOLENOID UNLOCK AND DEVICES WITH HEAD TO RIGHT, SOLENOID LOCK. ROTATE 1/4 TURN COUNTERCLOCKWISE TO UNLOCK DEVICES WITH HEAD TO LEFT, SOLENOID LOCK AND DEVICES WITH HEAD TO RIGHT, SOLENOID UNLOCK.
- 7 - NOT PRESENT ON TYPE/OVER-RIDE CODES B OR T.
- 8 - SWITCH MUST OPERATE BEFORE REACHING MINIMUM INSERTION DISTANCE
- 9 - T-15 TORX DRIVER PROVIDED
- 10 - ELECTRICAL RATINGS ARE FOR BASIC SWITCHES
MINIMUM SOLENOID VOLTAGE = 80% OF NORMAL VOLTAGE
MAXIMUM SOLENOID VOLTAGE = 110% OF NORMAL VOLTAGE
SOLENOID POWER = 12 WATTS NOMINAL
- 11 - CONNECTOR IN BOTTOM CONDUIT OPENING. SIDE CONDUIT OPENING PLUGGED
- 12 - NO CHANGES CAN BE MADE TO THIS DRAWING WITHOUT JOINT FREEPORT / NEMOUSE APPROVAL
- 13 - ALL DIMENSIONS ON THIS DRAWING SERIES ARE FOR REFERENCE ONLY

ELECTRICAL RATING				ENVIRONMENTAL RATINGS		APPROVALS
AC	DC			IP68 NEMA 1, 4, 6P, 12 & 13		
A300	AC 15	6300	DC 13	TEMP RANGE	-25°C TO 40°C	
Up	14	Up	14	STORAGE	-13°F TO 104°F	
[VOLTS]	[AMPS]	[VOLTS]	[AMPS]	OPERATING	-40°F TO 120°C	
120	6	24	2.9	SHOCK: 50G PER IEC 68-2-27	-40°F TO 248°F	
240	3	125	.55	VIBRATION: 10G PER IEC 68-2-6		
		250	.21			

THIS DRAWING IS A PROPERTY OF MICRO SWITCH, A DIVISION OF HONEYWELL. THIS DRAWING IS NOT TO BE COPIED OR USED WITHOUT THE APPROVAL OF MICRO SWITCH.

THIS DRAWING IS THE PROPERTY OF MICRO SWITCH, A DIVISION OF HONEYWELL. THIS DRAWING IS NOT TO BE COPIED OR USED WITHOUT THE APPROVAL OF MICRO SWITCH.

THIS DRAWING IS THE PROPERTY OF MICRO SWITCH, A DIVISION OF HONEYWELL. THIS DRAWING IS NOT TO BE COPIED OR USED WITHOUT THE APPROVAL OF MICRO SWITCH.

THIS DRAWING IS THE PROPERTY OF MICRO SWITCH, A DIVISION OF HONEYWELL. THIS DRAWING IS NOT TO BE COPIED OR USED WITHOUT THE APPROVAL OF MICRO SWITCH.

THIS DRAWING IS THE PROPERTY OF MICRO SWITCH, A DIVISION OF HONEYWELL. THIS DRAWING IS NOT TO BE COPIED OR USED WITHOUT THE APPROVAL OF MICRO SWITCH.

THIS DRAWING IS THE PROPERTY OF MICRO SWITCH, A DIVISION OF HONEYWELL. THIS DRAWING IS NOT TO BE COPIED OR USED WITHOUT THE APPROVAL OF MICRO SWITCH.

THIS DRAWING IS THE PROPERTY OF MICRO SWITCH, A DIVISION OF HONEYWELL. THIS DRAWING IS NOT TO BE COPIED OR USED WITHOUT THE APPROVAL OF MICRO SWITCH.

THIS DRAWING IS THE PROPERTY OF MICRO SWITCH, A DIVISION OF HONEYWELL. THIS DRAWING IS NOT TO BE COPIED OR USED WITHOUT THE APPROVAL OF MICRO SWITCH.

THIS DRAWING IS THE PROPERTY OF MICRO SWITCH, A DIVISION OF HONEYWELL. THIS DRAWING IS NOT TO BE COPIED OR USED WITHOUT THE APPROVAL OF MICRO SWITCH.

THIS DRAWING IS THE PROPERTY OF MICRO SWITCH, A DIVISION OF HONEYWELL. THIS DRAWING IS NOT TO BE COPIED OR USED WITHOUT THE APPROVAL OF MICRO SWITCH.

THIS DRAWING IS THE PROPERTY OF MICRO SWITCH, A DIVISION OF HONEYWELL. THIS DRAWING IS NOT TO BE COPIED OR USED WITHOUT THE APPROVAL OF MICRO SWITCH.

THIS DRAWING IS THE PROPERTY OF MICRO SWITCH, A DIVISION OF HONEYWELL. THIS DRAWING IS NOT TO BE COPIED OR USED WITHOUT THE APPROVAL OF MICRO SWITCH.

THIS DRAWING IS THE PROPERTY OF MICRO SWITCH, A DIVISION OF HONEYWELL. THIS DRAWING IS NOT TO BE COPIED OR USED WITHOUT THE APPROVAL OF MICRO SWITCH.

THIS DRAWING IS THE PROPERTY OF MICRO SWITCH, A DIVISION OF HONEYWELL. THIS DRAWING IS NOT TO BE COPIED OR USED WITHOUT THE APPROVAL OF MICRO SWITCH.

THIS DRAWING IS THE PROPERTY OF MICRO SWITCH, A DIVISION OF HONEYWELL. THIS DRAWING IS NOT TO BE COPIED OR USED WITHOUT THE APPROVAL OF MICRO SWITCH.

THIS DRAWING IS THE PROPERTY OF MICRO SWITCH, A DIVISION OF HONEYWELL. THIS DRAWING IS NOT TO BE COPIED OR USED WITHOUT THE APPROVAL OF MICRO SWITCH.

THIS DRAWING IS THE PROPERTY OF MICRO SWITCH, A DIVISION OF HONEYWELL. THIS DRAWING IS NOT TO BE COPIED OR USED WITHOUT THE APPROVAL OF MICRO SWITCH.

THIS DRAWING IS THE PROPERTY OF MICRO SWITCH, A DIVISION OF HONEYWELL. THIS DRAWING IS NOT TO BE COPIED OR USED WITHOUT THE APPROVAL OF MICRO SWITCH.

THIS DRAWING IS THE PROPERTY OF MICRO SWITCH, A DIVISION OF HONEYWELL. THIS DRAWING IS NOT TO BE COPIED OR USED WITHOUT THE APPROVAL OF MICRO SWITCH.

THIS DRAWING IS THE PROPERTY OF MICRO SWITCH, A DIVISION OF HONEYWELL. THIS DRAWING IS NOT TO BE COPIED OR USED WITHOUT THE APPROVAL OF MICRO SWITCH.

THIS DRAWING IS THE PROPERTY OF MICRO SWITCH, A DIVISION OF HONEYWELL. THIS DRAWING IS NOT TO BE COPIED OR USED WITHOUT THE APPROVAL OF MICRO SWITCH.

THIS DRAWING IS THE PROPERTY OF MICRO SWITCH, A DIVISION OF HONEYWELL. THIS DRAWING IS NOT TO BE COPIED OR USED WITHOUT THE APPROVAL OF MICRO SWITCH.

THIS DRAWING IS THE PROPERTY OF MICRO SWITCH, A DIVISION OF HONEYWELL. THIS DRAWING IS NOT TO BE COPIED OR USED WITHOUT THE APPROVAL OF MICRO SWITCH.

THIS DRAWING IS THE PROPERTY OF MICRO SWITCH, A DIVISION OF HONEYWELL. THIS DRAWING IS NOT TO BE COPIED OR USED WITHOUT THE APPROVAL OF MICRO SWITCH.

THIS DRAWING IS THE PROPERTY OF MICRO SWITCH, A DIVISION OF HONEYWELL. THIS DRAWING IS NOT TO BE COPIED OR USED WITHOUT THE APPROVAL OF MICRO SWITCH.

THIS DRAWING IS THE PROPERTY OF MICRO SWITCH, A DIVISION OF HONEYWELL. THIS DRAWING IS NOT TO BE COPIED OR USED WITHOUT THE APPROVAL OF MICRO SWITCH.

ANSI Y14.5M-1982 APPLIES

MICRO SWITCH
a Honeywell Division

SWITCH - DOOR INTERLOCK

GK SERIES CHART 2

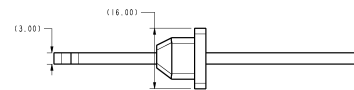
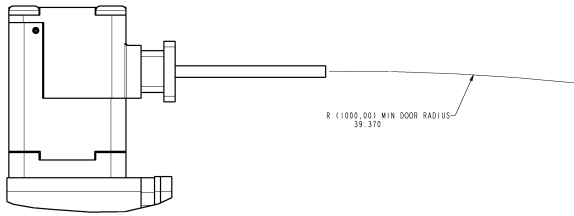
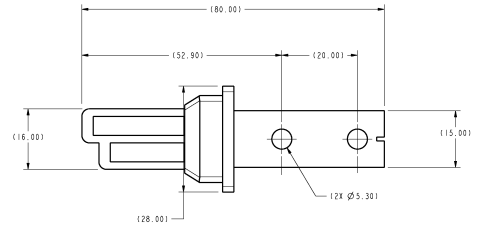
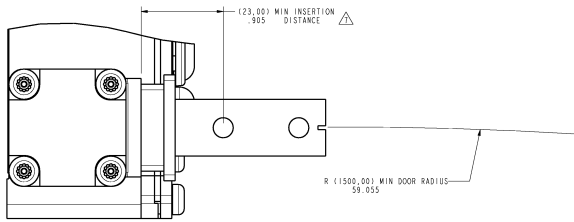
THIS DRAWING IS THE PROPERTY OF MICRO SWITCH, A DIVISION OF HONEYWELL. THIS DRAWING IS NOT TO BE COPIED OR USED WITHOUT THE APPROVAL OF MICRO SWITCH.

SCALE: FULL

DATE: 10/15/01

REV: 1

WEIGHT: 2.3 kg / 5.1 LB MAX



KEY CODE 1

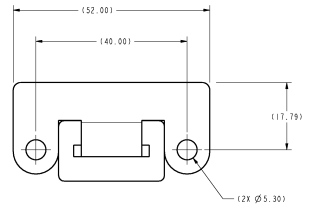
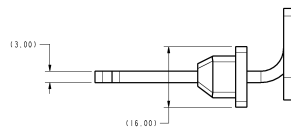
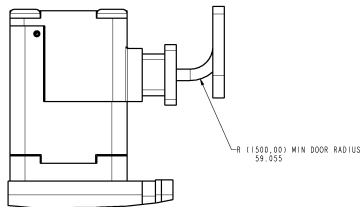
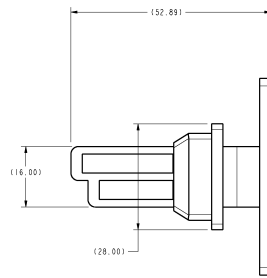
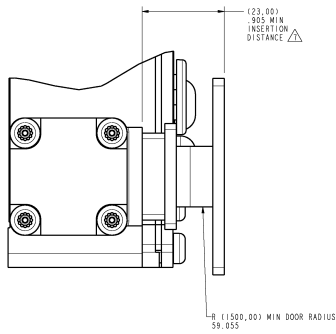
ANSI Y14.5M-1982 APPLIES

THIS DRAWING CONVEYS A PROPRIETARY ITEM AND IS THE PROPERTY OF MICRO SWITCH, A DIVISION OF HONEYWELL. THIS DRAWING IS NOT TO BE COPIED OR USED WITHOUT THE APPROVAL OF MICRO SWITCH.
 MICRO SWITCH
 a Honeywell Division

SWITCH - DOOR INTERLOCK

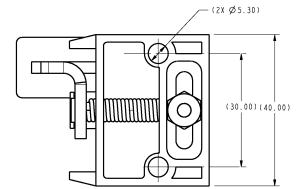
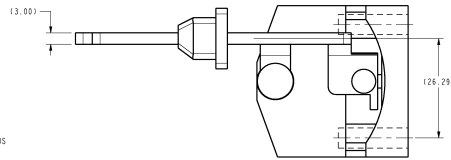
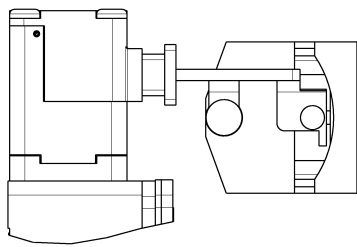
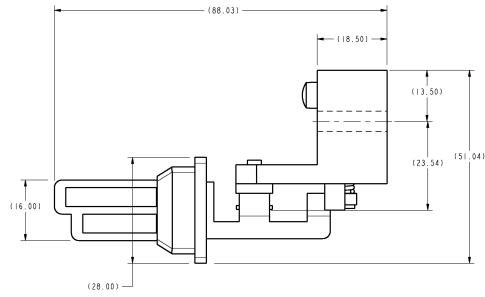
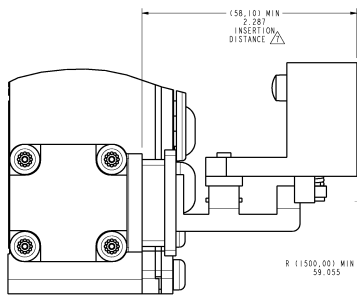
GK SERIES CHART 2

THIRD ANGLE PROJECTION	
SCALE	1:1
DO NOT SCALE PRINT	
TOLERANCES	
UNLESS OTHERWISE SPECIFIED	FRACTIONS
DECIMALS	DECIMALS
ANGLES	ANGLES
WELD SIZES	WELD SIZES
WATER UNITS	WATER UNITS
WEIGHT	WEIGHT
2.3 kg, 7.5 lb. MAX	



KEY CODE 2

THIS DRAWING CONVEYS A PROPRIETARY ITEM AND IS THE PROPERTY OF MICRO SWITCH, A DIVISION OF HONEYWELL. THIS DRAWING IS NOT TO BE COPIED OR USED WITHOUT THE APPROVAL OF MICRO SWITCH.		COPYRIGHT 1987 HONEYWELL	
 MICRO SWITCH a Honeywell Division		SWITCH - DOOR INTERLOCK GK SERIES CHART 2	
ANSI Y14.5M-1982 APPLIES		THIRD ANGLE PROJECTION SCALE: 1" = 1" (AS SHOWN) DO NOT SCALE PRINT TOLERANCES UNLESS OTHERWISE SPECIFIED: DIMENSIONS IN PARENTHESES ARE FOR INFORMATION ONLY DIMENSIONS IN PARENTHESES TAKE PRECEDENCE OVER DIMENSIONS IN FIGURE FINISHES UNLESS OTHERWISE SPECIFIED: ALL DIMENSIONS UNLESS OTHERWISE SPECIFIED UNLESS OTHERWISE SPECIFIED WEIGHT 2.3 kg / 5.1 lb MAX	



KEY CODE 3

THIS DRAWING CONVEYS A PROPRIETARY ITEM AND IS THE PROPERTY OF MICRO SWITCH, A DIVISION OF HONEYWELL. THIS DRAWING IS NOT TO BE COPIED OR USED WITHOUT THE APPROVAL OF MICRO SWITCH.

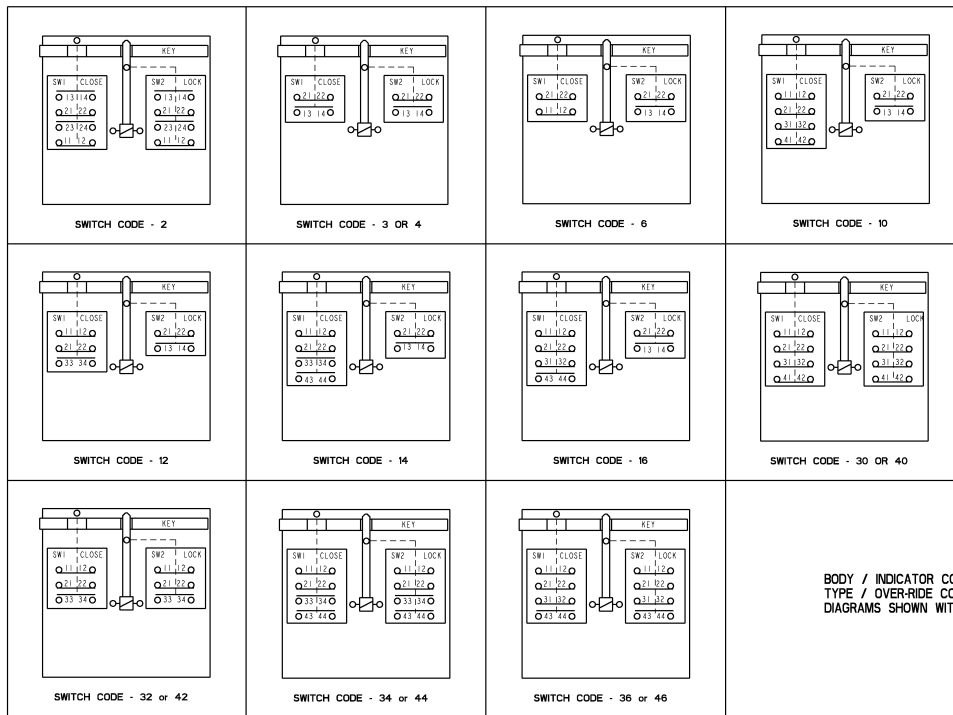
ANSI Y14.5M-1982 APPLIES

MICRO SWITCH
a Honeywell Division

SWITCH - DOOR INTERLOCK

GK SERIES CHART 2

SCALE	1:1
DO NOT SCALE PRINT	
TOLERANCES	UNLESS OTHERWISE SPECIFIED
FINISHES	UNLESS OTHERWISE SPECIFIED
UNIT	INCHES
WEIGHT	2.3 kg, 7.5 LB MAX

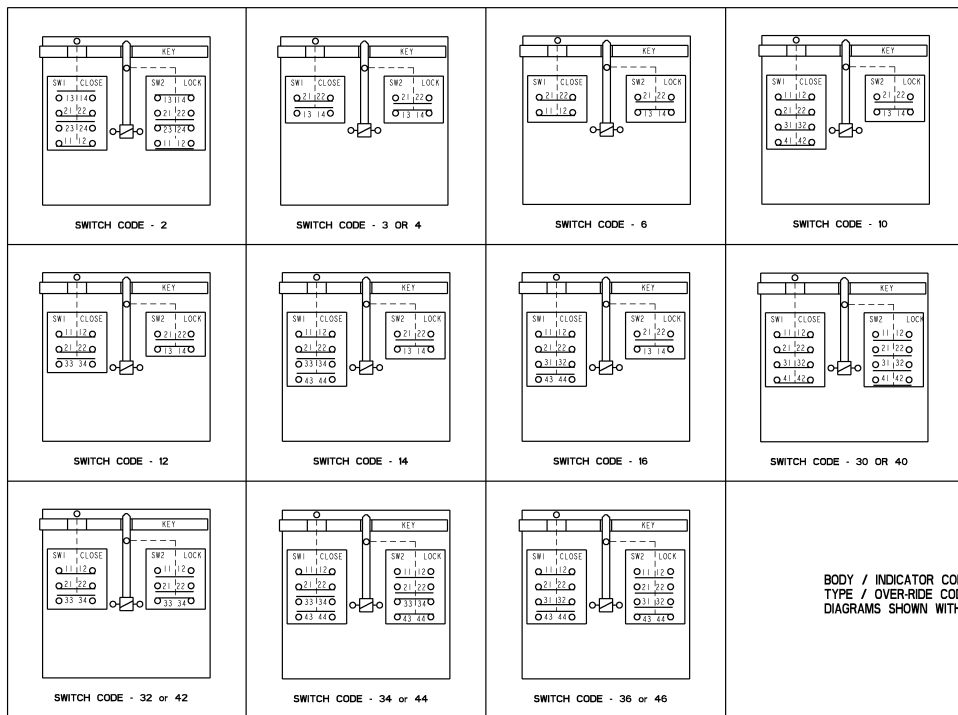


BODY / INDICATOR CODES - F OR G
 TYPE / OVER-RIDE CODES - A OR B
 DIAGRAMS SHOWN WITH KEY INSERTED AND LOCKED

GK SERIES CHART 2
 1 2 3 4 5 6 7 8 9 10 11 12 13 14 15 16 17 18 19 20 21 22 23 24 25 26 27 28 29 30 31 32 33 34 35 36 37 38 39 40 41 42 43 44 45 46 47 48 49 50 51 52 53 54 55 56 57 58 59 60 61 62 63 64 65 66 67 68 69 70 71 72 73 74 75 76 77 78 79 80 81 82 83 84 85 86 87 88 89 90 91 92 93 94 95 96 97 98 99 100
 P.T.C./C.A.D.

ANSI Y14.5M-1982 APPLIES

THIS DRAWING COVERS A PROPRIETARY ITEM AND IS THE PROPERTY OF MICRO SWITCH, A DIVISION OF HONEYWELL. THIS DRAWING IS NOT TO BE COPIED OR USED WITHOUT THE APPROVAL OF MICRO SWITCH. MICRO SWITCH a Honeywell Division		SWITCH - DOOR INTERLOCK GK SERIES CHART 2	
THIS DRAWING CONVEYS A PROPRIETARY ITEM AND IS THE PROPERTY OF MICRO SWITCH, A DIVISION OF HONEYWELL. THIS DRAWING IS NOT TO BE COPIED OR USED WITHOUT THE APPROVAL OF MICRO SWITCH.		SCALE: FULL DO NOT SCALE PRINT TOLERANCES: UNLESS OTHERWISE SPECIFIED: DIMENSIONS: FRACTIONS DECIMALS ANGLES 1/16 1/32 1/64 1/8 1/4 3/8 1/2 5/8 3/4 7/8 1 1 1/4 1 1/2 1 3/4 2 2 1/4 2 1/2 3 3 1/4 3 1/2 4 4 1/4 4 1/2 5 5 1/4 5 1/2 6 6 1/4 6 1/2 7 7 1/4 7 1/2 8 8 1/4 8 1/2 9 9 1/4 9 1/2 10 10 1/4 10 1/2 11 11 1/4 11 1/2 12 12 1/4 12 1/2 13 13 1/4 13 1/2 14 14 1/4 14 1/2 15 15 1/4 15 1/2 16 16 1/4 16 1/2 17 17 1/4 17 1/2 18 18 1/4 18 1/2 19 19 1/4 19 1/2 20 20 1/4 20 1/2 21 21 1/4 21 1/2 22 22 1/4 22 1/2 23 23 1/4 23 1/2 24 24 1/4 24 1/2 25 25 1/4 25 1/2 26 26 1/4 26 1/2 27 27 1/4 27 1/2 28 28 1/4 28 1/2 29 29 1/4 29 1/2 30 30 1/4 30 1/2 31 31 1/4 31 1/2 32 32 1/4 32 1/2 33 33 1/4 33 1/2 34 34 1/4 34 1/2 35 35 1/4 35 1/2 36 36 1/4 36 1/2 37 37 1/4 37 1/2 38 38 1/4 38 1/2 39 39 1/4 39 1/2 40 40 1/4 40 1/2 41 41 1/4 41 1/2 42 42 1/4 42 1/2 43 43 1/4 43 1/2 44 44 1/4 44 1/2 45 45 1/4 45 1/2 46 46 1/4 46 1/2 47 47 1/4 47 1/2 48 48 1/4 48 1/2 49 49 1/4 49 1/2 50 50 1/4 50 1/2 51 51 1/4 51 1/2 52 52 1/4 52 1/2 53 53 1/4 53 1/2 54 54 1/4 54 1/2 55 55 1/4 55 1/2 56 56 1/4 56 1/2 57 57 1/4 57 1/2 58 58 1/4 58 1/2 59 59 1/4 59 1/2 60 60 1/4 60 1/2 61 61 1/4 61 1/2 62 62 1/4 62 1/2 63 63 1/4 63 1/2 64 64 1/4 64 1/2 65 65 1/4 65 1/2 66 66 1/4 66 1/2 67 67 1/4 67 1/2 68 68 1/4 68 1/2 69 69 1/4 69 1/2 70 70 1/4 70 1/2 71 71 1/4 71 1/2 72 72 1/4 72 1/2 73 73 1/4 73 1/2 74 74 1/4 74 1/2 75 75 1/4 75 1/2 76 76 1/4 76 1/2 77 77 1/4 77 1/2 78 78 1/4 78 1/2 79 79 1/4 79 1/2 80 80 1/4 80 1/2 81 81 1/4 81 1/2 82 82 1/4 82 1/2 83 83 1/4 83 1/2 84 84 1/4 84 1/2 85 85 1/4 85 1/2 86 86 1/4 86 1/2 87 87 1/4 87 1/2 88 88 1/4 88 1/2 89 89 1/4 89 1/2 90 90 1/4 90 1/2 91 91 1/4 91 1/2 92 92 1/4 92 1/2 93 93 1/4 93 1/2 94 94 1/4 94 1/2 95 95 1/4 95 1/2 96 96 1/4 96 1/2 97 97 1/4 97 1/2 98 98 1/4 98 1/2 99 99 1/4 99 1/2 100 100 1/4 100 1/2	WEIGHT: 2.3 kg / 5.1 lb MAX



BODY / INDICATOR CODES - F OR G
 TYPE / OVER-RIDE CODES - S OR T
 DIAGRAMS SHOWN WITH KEY INSERTED AND LOCKED

TRIP PINCE PROTECTION

SCALE 1:1

DO NOT SCALE PRINT

SOLE FLEXIBLE

WATER TIGHT

WEIGHT 2.3 kg / 5.1 lb MAX

THIS DRAWING CONVEYS A PROPRIETARY ITEM AND IS THE PROPERTY OF MICRO SWITCH, A DIVISION OF HONEYWELL. THIS DRAWING IS NOT TO BE COPIED OR USED WITHOUT THE APPROVAL OF MICRO SWITCH.

FEEL FREE TO CALL 1-800-368-5747

©2010 MICRO SWITCH

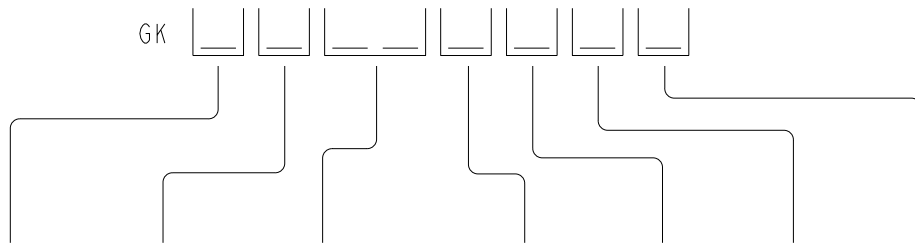
MICRO SWITCH
 a Honeywell Division

SWITCH - DOOR INTERLOCK

GK SERIES CHART 2

ANSI Y14.5M-1982 APPLIES

SOLENOID KEY OPERATED SAFETY INTERLOCK NOMENCLATURE



BODY / INDICATOR	CONDUIT / SEAL	BASIC	HEAD	KEY	TYPE / OVER-RIDE	VOLTAGE
L HEAD TO LEFT - WITH INDICATORS	A 1/2 NPT - VITON SEALS	2 1/2 SNAP ACTION DPDT	A OPENING TO FRONT WITHOUT DETENT	1 STRAIGHT	A SOLENOID UNLOCK WITH SCREWDRIVER	1 12 VDC
R HEAD TO RIGHT - WITH INDICATORS	B PG 13.5 - VITON SEALS	3 2 SLOW ACTING SPOT BBM	B OPENING TO RIGHT WITHOUT DETENT	2 90 DEGREE	B SLOT OVER-RIDE	2 24 VDC
F HEAD TO LEFT - WITHOUT INDICATORS	C 20 MM - VITON SEALS	6 SLOW ACTING 2 NC	C OPENING TO BACK WITHOUT DETENT	3 UP-DOWN	B SOLENOID UNLOCK WITHOUT OVER-RIDE	3 48 VDC
G HEAD TO RIGHT - WITHOUT INDICATORS	D PF 1/2 - VITON SEALS	10 SLOW ACTING 4 NC	D OPENING TO LEFT WITHOUT DETENT	4 LEFT-RIGHT	C SAME AS "A" FOR GM ONLY	4 120 VAC
	E 1/2 NPT - BUNA-N SEALS	12 SLOW ACTING 2 NC - 1 NO BBM	E HEAD WITHOUT DETENT UNASSEMBLED TO BODY	X NO KEY	S SOLENOID LOCK WITH SCREWDRIVER SLOT OVER-RIDE	5 240 VAC
	F PG 13.5 - BUNA-N SEALS	14 SLOW ACTING 2 NC - 2 NO BBM	F OPENING TO FRONT WITH DETENT		T SOLENOID LOCK WITHOUT OVER-RIDE	
	G 20 MM - BUNA-N SEALS	16 SLOW ACTING 3 NC - 1 NO BBM	G OPENING TO RIGHT WITH DETENT			
	H PF 1/2 - BUNA-N SEALS	30 2 SLOW ACTING 4 NC - GOLD	H OPENING TO BACK WITH DETENT			
		32 2 SLOW ACTING 2 NC - 1 NO BBM - GOLD	J OPENING TO LEFT WITH DETENT			
		34 2 SLOW ACTING 2 NC - 2 NO BBM - GOLD	K HEAD WITH DETENT UNASSEMBLED TO BODY			
		36 2 SLOW ACTING 3 NC - 1 NO BBM - GOLD				
		40 2 SLOW ACTING 4 NC				
		42 2 SLOW ACTING 2 NC - 1 NO BBM				
		44 2 SLOW ACTING 2 NC - 2 NO BBM				
		46 2 SLOW ACTING 3 NC - 1 NO BBM				

- NOTES
- ZINC DIECAST BODY AND HEAD WITH STEEL COVER. BODY, HEAD AND COVER FINISHED WITH EPOXY PAINT
 - HEAD E AND K IS SHIPPED UNATTACHED AND MAY BE INDEXED IN 90° INCREMENTS. REATTACH WITH SECURITY SCREWS PROVIDED
 - THE LEFT INDICATOR IS GREEN AND THE RIGHT INDICATOR IS RED. NOT PRESENT ON BODY/INDICATOR CODES F OR G
 - MAXIMUM OPERATING FREQUENCY (f_{max}) = 100 OPS/MIN
 - INSERTION FORCE = 20 N MAX
EXTRACTION FORCE = 2 N MAX
 - HEADS F, G, H, J AND K
INSERTION FORCE = 55 N MAX
EXTRACTION FORCE = 35 N MAX
 - MAXIMUM SOLENOID LOCKING FORCE = 1000 N
244 LB

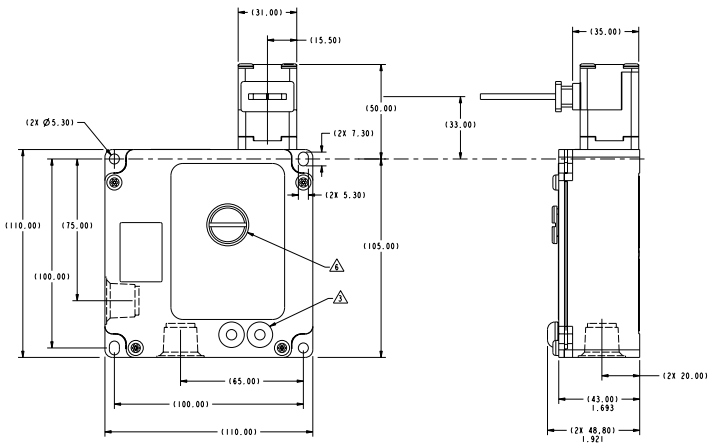
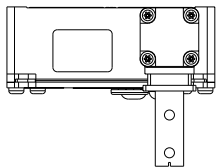
- ROTATE 1/4 TURN CLOCKWISE TO UNLOCK DEVICES WITH HEAD TO LEFT, SOLENOID UNLOCK AND DEVICES WITH HEAD TO RIGHT, SOLENOID LOCK. ROTATE 1/4 TURN COUNTERCLOCKWISE TO UNLOCK DEVICES WITH HEAD TO LEFT, SOLENOID LOCK AND DEVICES WITH HEAD TO RIGHT, SOLENOID UNLOCK.
- NOT PRESENT ON TYPE/OVER-RIDE CODES B OR T.
SWITCH MUST OPERATE BEFORE REACHING MINIMUM INSERTION DISTANCE
- T-15 TORX DRIVER PROVIDED
- ELECTRICAL RATINGS ARE FOR BASIC SWITCHES
MINIMUM SOLENOID VOLTAGE = 80% OF NORMAL VOLTAGE
MAXIMUM SOLENOID VOLTAGE = 110% OF NORMAL VOLTAGE
SOLENOID POWER = 12 WATTS NOMINAL
- CONNECTOR IN BOTTOM CONDUIT OPENING. SIDE CONDUIT OPENING PLUGGED
- NO CHANGES CAN BE MADE TO THIS DRAWING WITHOUT JOINT FREEPORT / NEWHOUSE APPROVAL
- ALL DIMENSIONS ON THIS DRAWING SERIES ARE FOR REFERENCE ONLY

ELECTRICAL RATING Δ				ENVIRONMENTAL RATINGS		APPROVALS
AC	DC	IP68 NEMA 1, 4, 6P, 12 & 13	TEMP RANGE		 IEC 947-5-1 EN60947-5-1	
A300	AC 15	0300	DC 13	-25°C TO 40°C		
120	6	24	2.9	-13°F TO 104°F		
240	3	125	.55	-40°F TO 120°C	STORAGE -40°F TO 248°F SHOCK: 50G PER IEC 68-2-27 VIBRATION: 10G PER IEC 68-2-6	
		250	.27			

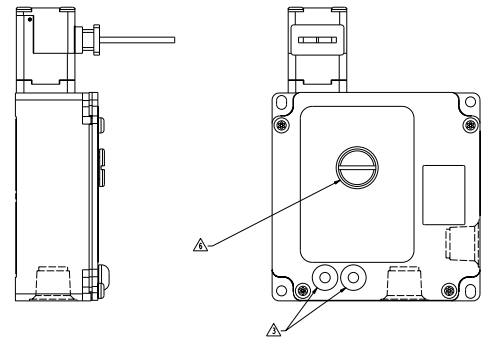
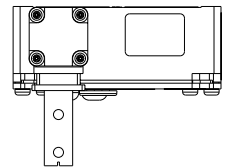
THIS DRAWING COVERS A PROPRIETARY ITEM AND IS THE PROPERTY OF MICRO SWITCH, A DIVISION OF HONEYWELL. THIS DRAWING IS NOT TO BE COPIED OR USED WITHOUT THE APPROVAL OF MICRO SWITCH.

100-000-000-0000
 MICRO SWITCH
 Honeywell Division
 SWITCH - DOOR INTERLOCK
 MK SERIES CHART 2
 WEIGHT 2.3 kg / 5.1 LB MAX

THIRD ANGLE PROJECTION
 SCALE: DO NOT SCALE PRINT
 TOLERANCES UNLESS OTHERWISE SPECIFIED
 DIMENSIONS IN MILLIMETERS
 DIMENSIONS IN INCHES
 WEIGHT 2.3 kg / 5.1 LB MAX



BODY / INDICATOR CODES R OR G



BODY / INDICATOR CODES L OR F

THIS DRAWING COVERS A PROPRIETARY ITEM AND IS THE PROPERTY OF MICRO SWITCH, A DIVISION OF HONEYWELL. THIS DRAWING IS NOT TO BE COPIED OR USED WITHOUT THE APPROVAL OF MICRO SWITCH.

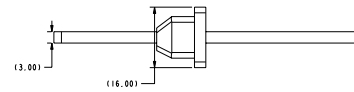
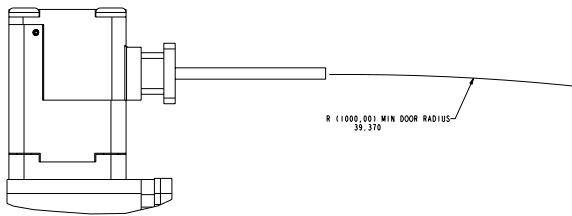
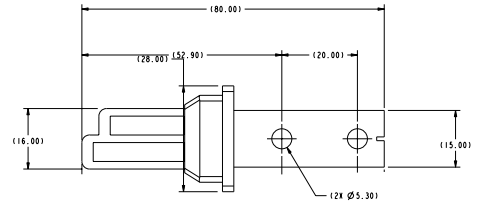
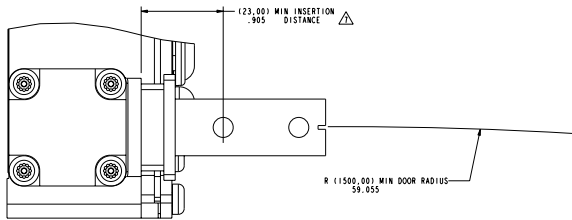
12x 1.693 0.067
 MICRO SWITCH
 Honeywell Division

SWITCH - DOOR INTERLOCK

GK SERIES CHART 2

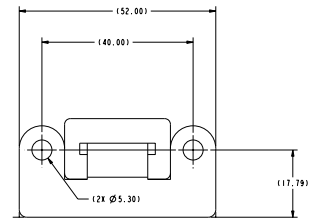
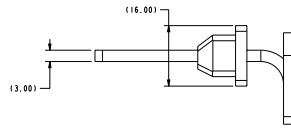
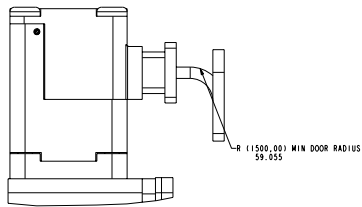
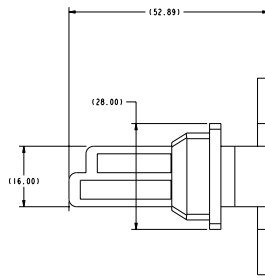
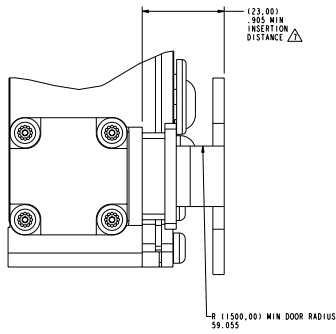
ANSI Y14.5M-1982 APPLIES

THIRD ANGLE PROJECTION	
SCALE	FULL
DO NOT SCALE PRINT	
TOLERANCES	
UNLESS SPECIFIED OTHERWISE REFER TO DRAWING SPECIFICATIONS	
FINISH	AS SHOWN
UNIT	MILLIMETERS
WEIGHT	2.3 kg / 5.18 LBS MAX



KEY CODE 1

P1/CAD
 REV. 10/2018
 M GK SERIES CHART 2
 1/16" / 4.0
 1/8" / 3.2
 1/4" / 6.4
 3/8" / 9.6
 1/2" / 12.8
 5/8" / 16.0
 3/4" / 19.2
 7/8" / 22.4
 1" / 25.4
 1 1/8" / 29.8
 1 1/4" / 31.8
 1 3/8" / 34.9
 1 1/2" / 38.1
 1 3/4" / 41.3
 1 7/8" / 44.5
 2" / 50.8
 2 1/8" / 54.0
 2 1/4" / 57.1
 2 3/8" / 60.3
 2 1/2" / 63.5
 2 7/8" / 71.1
 3" / 76.2
 3 1/8" / 81.3
 3 1/4" / 84.4
 3 3/8" / 87.6
 3 1/2" / 91.4
 3 7/8" / 98.4
 4" / 101.6
 4 1/8" / 108.0
 4 1/4" / 111.8
 4 3/8" / 114.3
 4 1/2" / 114.3
 4 7/8" / 124.5
 5" / 127.0
 5 1/8" / 139.7
 5 1/4" / 139.7
 5 3/8" / 141.3
 5 1/2" / 141.3
 5 7/8" / 151.1
 6" / 152.4
 6 1/8" / 165.1
 6 1/4" / 165.1
 6 3/8" / 166.7
 6 1/2" / 165.1
 6 7/8" / 175.3
 7" / 177.8
 7 1/8" / 190.5
 7 1/4" / 190.5
 7 3/8" / 192.1
 7 1/2" / 192.1
 7 7/8" / 201.9
 8" / 203.2
 8 1/8" / 216.1
 8 1/4" / 216.1
 8 3/8" / 217.7
 8 1/2" / 216.1
 8 7/8" / 225.9
 9" / 228.6
 9 1/8" / 241.3
 9 1/4" / 241.3
 9 3/8" / 242.9
 9 1/2" / 241.3
 9 7/8" / 251.1
 10" / 254.0
 10 1/8" / 266.7
 10 1/4" / 266.7
 10 3/8" / 268.3
 10 1/2" / 266.7
 10 7/8" / 275.9
 11" / 279.4
 11 1/8" / 292.1
 11 1/4" / 292.1
 11 3/8" / 293.7
 11 1/2" / 292.1
 11 7/8" / 301.9
 12" / 304.8
 12 1/8" / 317.5
 12 1/4" / 317.5
 12 3/8" / 319.1
 12 1/2" / 317.5
 12 7/8" / 325.9
 13" / 330.2
 13 1/8" / 342.9
 13 1/4" / 342.9
 13 3/8" / 344.5
 13 1/2" / 342.9
 13 7/8" / 351.1
 14" / 354.1
 14 1/8" / 366.8
 14 1/4" / 366.8
 14 3/8" / 368.4
 14 1/2" / 366.8
 14 7/8" / 375.0
 15" / 381.0
 15 1/8" / 393.7
 15 1/4" / 393.7
 15 3/8" / 395.3
 15 1/2" / 393.7
 15 7/8" / 401.3
 16" / 406.4
 16 1/8" / 419.1
 16 1/4" / 419.1
 16 3/8" / 420.7
 16 1/2" / 419.1
 16 7/8" / 425.9
 17" / 431.8
 17 1/8" / 444.5
 17 1/4" / 444.5
 17 3/8" / 446.1
 17 1/2" / 444.5
 17 7/8" / 451.1
 18" / 457.2
 18 1/8" / 470.0
 18 1/4" / 470.0
 18 3/8" / 471.6
 18 1/2" / 470.0
 18 7/8" / 475.9
 19" / 482.6
 19 1/8" / 495.3
 19 1/4" / 495.3
 19 3/8" / 496.9
 19 1/2" / 495.3
 19 7/8" / 501.9
 20" / 508.0
 20 1/8" / 520.7
 20 1/4" / 520.7
 20 3/8" / 522.3
 20 1/2" / 520.7
 20 7/8" / 525.9
 21" / 533.4
 21 1/8" / 546.1
 21 1/4" / 546.1
 21 3/8" / 547.7
 21 1/2" / 546.1
 21 7/8" / 551.1
 22" / 559.1
 22 1/8" / 571.8
 22 1/4" / 571.8
 22 3/8" / 573.4
 22 1/2" / 571.8
 22 7/8" / 575.9
 23" / 584.2
 23 1/8" / 596.9
 23 1/4" / 596.9
 23 3/8" / 598.5
 23 1/2" / 596.9
 23 7/8" / 601.9
 24" / 609.6
 24 1/8" / 622.3
 24 1/4" / 622.3
 24 3/8" / 623.9
 24 1/2" / 622.3
 24 7/8" / 625.9
 25" / 635.0
 25 1/8" / 647.7
 25 1/4" / 647.7
 25 3/8" / 649.3
 25 1/2" / 647.7
 25 7/8" / 651.1
 26" / 660.4
 26 1/8" / 673.1
 26 1/4" / 673.1
 26 3/8" / 674.7
 26 1/2" / 673.1
 26 7/8" / 675.9
 27" / 685.8
 27 1/8" / 698.5
 27 1/4" / 698.5
 27 3/8" / 700.1
 27 1/2" / 698.5
 27 7/8" / 701.9
 28" / 711.2
 28 1/8" / 723.9
 28 1/4" / 723.9
 28 3/8" / 725.5
 28 1/2" / 723.9
 28 7/8" / 725.9
 29" / 736.6
 29 1/8" / 750.1
 29 1/4" / 750.1
 29 3/8" / 751.7
 29 1/2" / 750.1
 29 7/8" / 751.9
 30" / 762.0
 30 1/8" / 765.8
 30 1/4" / 765.8
 30 3/8" / 767.4
 30 1/2" / 765.8
 30 7/8" / 767.9
 31" / 787.4
 31 1/8" / 800.1
 31 1/4" / 800.1
 31 3/8" / 801.7
 31 1/2" / 800.1
 31 7/8" / 801.9
 32" / 812.8
 32 1/8" / 815.9
 32 1/4" / 815.9
 32 3/8" / 817.5
 32 1/2" / 815.9
 32 7/8" / 817.9
 33" / 838.2
 33 1/8" / 831.6
 33 1/4" / 831.6
 33 3/8" / 833.2
 33 1/2" / 831.6
 33 7/8" / 833.9
 34" / 863.6
 34 1/8" / 845.3
 34 1/4" / 845.3
 34 3/8" / 846.9
 34 1/2" / 845.3
 34 7/8" / 847.9
 35" / 889.0
 35 1/8" / 858.0
 35 1/4" / 858.0
 35 3/8" / 859.6
 35 1/2" / 858.0
 35 7/8" / 859.9
 36" / 914.4
 36 1/8" / 870.7
 36 1/4" / 870.7
 36 3/8" / 872.3
 36 1/2" / 870.7
 36 7/8" / 872.9
 37" / 939.8
 37 1/8" / 883.4
 37 1/4" / 883.4
 37 3/8" / 885.0
 37 1/2" / 883.4
 37 7/8" / 884.9
 38" / 965.2
 38 1/8" / 896.1
 38 1/4" / 896.1
 38 3/8" / 897.7
 38 1/2" / 896.1
 38 7/8" / 897.9
 39" / 990.6
 39 1/8" / 908.8
 39 1/4" / 908.8
 39 3/8" / 910.4
 39 1/2" / 908.8
 39 7/8" / 910.9
 40" / 1016.0
 40 1/8" / 921.5
 40 1/4" / 921.5
 40 3/8" / 923.1
 40 1/2" / 921.5
 40 7/8" / 922.9
 41" / 1041.4
 41 1/8" / 934.2
 41 1/4" / 934.2
 41 3/8" / 935.8
 41 1/2" / 934.2
 41 7/8" / 935.9
 42" / 1066.8
 42 1/8" / 946.9
 42 1/4" / 946.9
 42 3/8" / 948.5
 42 1/2" / 946.9
 42 7/8" / 948.9
 43" / 1092.2
 43 1/8" / 959.6
 43 1/4" / 959.6
 43 3/8" / 961.2
 43 1/2" / 959.6
 43 7/8" / 961.9
 44" / 1117.6
 44 1/8" / 972.3
 44 1/4" / 972.3
 44 3/8" / 973.9
 44 1/2" / 972.3
 44 7/8" / 973.9
 45" / 1143.0
 45 1/8" / 985.0
 45 1/4" / 985.0
 45 3/8" / 986.6
 45 1/2" / 985.0
 45 7/8" / 986.9
 46" / 1168.4
 46 1/8" / 997.7
 46 1/4" / 997.7
 46 3/8" / 999.3
 46 1/2" / 997.7
 46 7/8" / 998.9
 47" / 1193.8
 47 1/8" / 1010.4
 47 1/4" / 1010.4
 47 3/8" / 1012.0
 47 1/2" / 1010.4
 47 7/8" / 1011.9
 48" / 1219.2
 48 1/8" / 1023.1
 48 1/4" / 1023.1
 48 3/8" / 1024.7
 48 1/2" / 1023.1
 48 7/8" / 1023.9
 49" / 1244.6
 49 1/8" / 1035.8
 49 1/4" / 1035.8
 49 3/8" / 1037.4
 49 1/2" / 1035.8
 49 7/8" / 1036.9
 50" / 1270.0
 50 1/8" / 1048.5
 50 1/4" / 1048.5
 50 3/8" / 1050.1
 50 1/2" / 1048.5
 50 7/8" / 1049.9
 51" / 1295.4
 51 1/8" / 1061.2
 51 1/4" / 1061.2
 51 3/8" / 1062.8
 51 1/2" / 1061.2
 51 7/8" / 1061.9
 52" / 1320.8
 52 1/8" / 1073.9
 52 1/4" / 1073.9
 52 3/8" / 1075.5
 52 1/2" / 1073.9
 52 7/8" / 1074.9
 53" / 1346.2
 53 1/8" / 1086.6
 53 1/4" / 1086.6
 53 3/8" / 1088.2
 53 1/2" / 1086.6
 53 7/8" / 1087.9
 54" / 1371.6
 54 1/8" / 1099.3
 54 1/4" / 1099.3
 54 3/8" / 1100.9
 54 1/2" / 1099.3
 54 7/8" / 1100.9
 55" / 1397.0
 55 1/8" / 1112.0
 55 1/4" / 1112.0
 55 3/8" / 1113.6
 55 1/2" / 1112.0
 55 7/8" / 1113.9
 56" / 1422.4
 56 1/8" / 1124.7
 56 1/4" / 1124.7
 56 3/8" / 1126.3
 56 1/2" / 1124.7
 56 7/8" / 1125.9
 57" / 1447.8
 57 1/8" / 1137.4
 57 1/4" / 1137.4
 57 3/8" / 1139.0
 57 1/2" / 1137.4
 57 7/8" / 1138.9
 58" / 1473.2
 58 1/8" / 1150.1
 58 1/4" / 1150.1
 58 3/8" / 1151.7
 58 1/2" / 1150.1
 58 7/8" / 1150.9
 59" / 1498.6
 59 1/8" / 1162.8
 59 1/4" / 1162.8
 59 3/8" / 1164.4
 59 1/2" / 1162.8
 59 7/8" / 1163.9
 60" / 1524.0
 60 1/8" / 1175.5
 60 1/4" / 1175.5
 60 3/8" / 1177.1
 60 1/2" / 1175.5
 60 7/8" / 1175.9
 61" / 1549.4
 61 1/8" / 1188.2
 61 1/4" / 1188.2
 61 3/8" / 1189.8
 61 1/2" / 1188.2
 61 7/8" / 1188.9
 62" / 1574.8
 62 1/8" / 1200.9
 62 1/4" / 1200.9
 62 3/8" / 1202.5
 62 1/2" / 1200.9
 62 7/8" / 1201.9
 63" / 1600.2
 63 1/8" / 1213.6
 63 1/4" / 1213.6
 63 3/8" / 1215.2
 63 1/2" / 1213.6
 63 7/8" / 1213.9
 64" / 1625.6
 64 1/8" / 1226.3
 64 1/4" / 1226.3
 64 3/8" / 1227.9
 64 1/2" / 1225.6
 64 7/8" / 1226.9
 65" / 1651.0
 65 1/8" / 1239.0
 65 1/4" / 1239.0
 65 3/8" / 1240.6
 65 1/2" / 1239.0
 65 7/8" / 1240.9
 66" / 1676.4
 66 1/8" / 1251.7
 66 1/4" / 1251.7
 66 3/8" / 1253.3
 66 1/2" / 1251.7
 66 7/8" / 1252.9
 67" / 1701.8
 67 1/8" / 1264.4
 67 1/4" / 1264.4
 67 3/8" / 1266.0
 67 1/2" / 1264.4
 67 7/8" / 1264.9
 68" / 1727.2
 68 1/8" / 1277.1
 68 1/4" / 1277.1
 68 3/8" / 1278.7
 68 1/2" / 1277.1
 68 7/8" / 1277.9
 69" / 1752.6
 69 1/8" / 1289.8
 69 1/4" / 1289.8
 69 3/8" / 1291.4
 69 1/2" / 1289.8
 69 7/8" / 1290.9
 70" / 1778.0
 70 1/8" / 1302.5
 70 1/4" / 1302.5
 70 3/8" / 1304.1
 70 1/2" / 1302.5
 70 7/8" / 1303.9
 71" / 1803.4
 71 1/8" / 1315.2
 71 1/4" / 1315.2
 71 3/8" / 1316.8
 71 1/2" / 1315.2
 71 7/8" / 1315.9
 72" / 1828.8
 72 1/8" / 1327.9
 72 1/4" / 1327.9
 72 3/8" / 1329.5
 72 1/2" / 1328.8
 72 7/8" / 1329.9
 73" / 1854.2
 73 1/8" / 1340.6
 73 1/4" / 1340.6
 73 3/8" / 1342.2
 73 1/2" / 1340.6
 73 7/8" / 1341.9
 74" / 1879.6
 74 1/8" / 1353.3
 74 1/4" / 1353.3
 74 3/8" / 1354.9
 74 1/2" / 1353.3
 74 7/8" / 1353.9
 75" / 1905.0
 75 1/8" / 1366.0
 75 1/4" / 1366.0
 75 3/8" / 1367.6
 75 1/2" / 1366.0
 75 7/8" / 1366.9
 76" / 1930.4
 76 1/8" / 1378.7
 76 1/4" / 1378.7
 76 3/8" / 1380.3
 76 1/2" / 1379.0
 76 7/8" / 1380.9
 77" / 1955.8
 77 1/8" / 1391.4
 77 1/4" / 1391.4
 77 3/8" / 1393.0
 77 1/2" / 1391.4
 77 7/8" / 1391.9
 78" / 1981.2
 78 1/8" / 1404.1
 78 1/4" / 1404.1
 78 3/8" / 1405.7
 78 1/2" / 1404.1
 78 7/8" / 1404.9
 79" / 2006.6
 79 1/8" / 1416.8
 79 1/4" / 1416.8
 79 3/8" / 1418.4
 79 1/2" / 1416.8
 79 7/8" / 1417.9
 80" / 2032.0
 80 1/8" / 1429.5
 80 1/4" / 1429.5
 80 3/8" / 1431.1
 80 1/2" / 1429.5
 80 7/8" / 1430.9
 81" / 2057.4
 81 1/8" / 1442.2
 81 1/4" / 1442.2
 81 3/8" / 1443.8
 81 1/2" / 1442.2
 81 7/8" / 1442.9
 82" / 2082.8
 82 1/8" / 1454.9
 82 1/4" / 1454.9
 82 3/8" / 1456.5
 82 1/2" / 1455.2
 82 7/8" / 1456.9
 83" / 2108.2
 83 1/8" / 1467.6
 83 1/4" / 1467.6
 83 3/8" / 1469.2
 83 1/2" / 1468.0
 83 7/8" / 1468.9
 84" / 2133.6
 84 1/8" / 1480.3
 84 1/4" / 1480.3
 84 3/8" / 1481.9
 84 1/2" / 1480.3
 84 7/8" / 1480.9
 85" / 2159.0
 85 1/8" / 1493.0
 85 1/4" / 1493.0
 85 3/8" / 1494.6
 85 1/2" / 1493.0
 85 7/8" / 1493.9
 86" / 2184.4
 86 1/8" / 1505.7
 86 1/4" / 1505.7
 86 3/8" / 1507.3
 86 1/2" / 1506.0
 86 7/8" / 1507.9
 87" / 2209.8
 87 1/8" / 1518.4
 87 1/4" / 1518.4
 87 3/8" / 1520.0
 87 1/2" / 1518.4
 87 7/8" / 1518.9
 88" / 2235.2
 88 1/8" / 1531.1
 88 1/4" / 1531.1
 88 3/8" / 1532.7
 88 1/2" / 1531.1
 88 7/8" / 1531.9
 89" / 2260.6
 89 1/8" / 1543.8
 89 1/4" / 1543.8
 89 3/8" / 1545.4
 89 1/2" / 1543.8
 89 7/8" / 1543.9
 90" / 2286.0
 90 1/8" / 1556.5
 90 1/4" / 1556.5
 90 3/8" / 1558.1
 90 1/2" / 1556.5
 90 7/8" / 1556.9
 91" / 2311.4
 91 1/8" / 1569.2
 91 1/4" / 1569.2
 91 3/8" / 1570.8
 91 1/2" / 1569.2
 91 7/8" / 1569.9
 92" / 2336.8
 92 1/8" / 1581.9
 92 1/4" / 1581.9
 92 3/8" / 1583.5
 92 1/2" / 1582.0
 92 7/8" / 1583.9
 93" / 2362.2
 93 1/8" / 1594.6
 93 1/4" / 1594.6
 93 3/8" / 1596.2
 93 1/2" / 1594.6
 93 7/8" / 1594.9
 94" / 2387.6
 94 1/8" / 1607.3
 94 1/4" / 1607.3
 94 3/8" / 1608.9
 94 1/2" / 1607.3
 94 7/8" / 1607.9
 95" / 2413.0
 95 1/8" / 1620.0
 95 1/4" / 1620.0
 95 3/8" / 1621.6
 95 1/2" / 1620.0
 95 7/8" / 1620.9
 96" / 2438.4
 96 1/8" / 1632.7
 96 1/4" / 1632.7
 96 3/8" / 1634.3
 96 1/2" / 1632.7
 96 7/8" / 1632.9
 97" / 2463.8
 97 1/8" / 1645.4
 97 1/4" / 1645.4
 97 3/8" / 1647.0
 97 1/2" / 1645.4
 97 7/8" / 1645.9
 98" / 2489.2
 98 1/8" / 1658.1
 98 1/4" / 1658.1
 98 3/8" / 1659.7
 98 1/2" / 1658.1
 98 7/8" / 1658.9
 99" / 2514.6
 99 1/8" / 1670.8
 99 1/4" / 1670.8
 99 3/8" / 1672.4
 99 1/2" / 1670.8
 99 7/8" / 1671.9
 100" / 2540.0
 100 1/8" / 1683.5
 100 1/4" / 1683.5
 100 3/8" / 1685.1
 100 1/2" / 1683.5
 100 7/8" / 1683.9
 101" / 2565.4
 101 1/8" / 1696.2
 101 1/4" / 1696.2
 101 3/8" / 1697.8
 101 1/2" / 1696.2
 101 7/8" / 1696.9
 102" / 2590.8
 102 1/8" / 1708.9
 102 1/4" / 1708.9
 102 3/8" / 1710.5
 102 1/2" / 1708.9
 102 7/8" / 1708.9
 103" / 2616.2
 103 1/8" / 1721.6
 103 1/4" / 1721.6
 103 3/8" / 1723.2
 103 1/2" / 1721.6

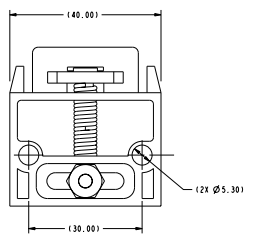
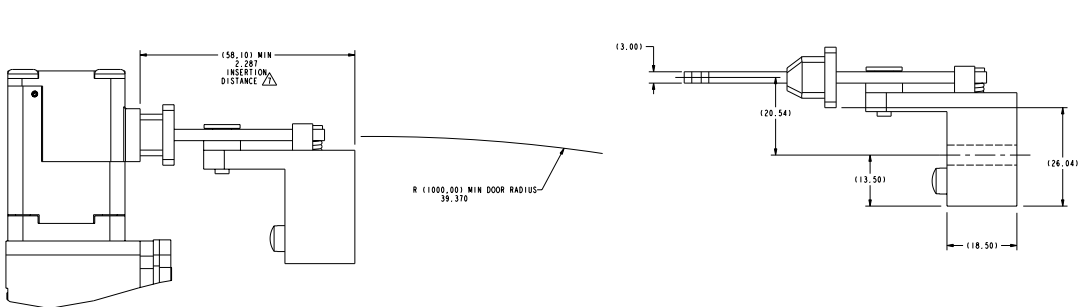
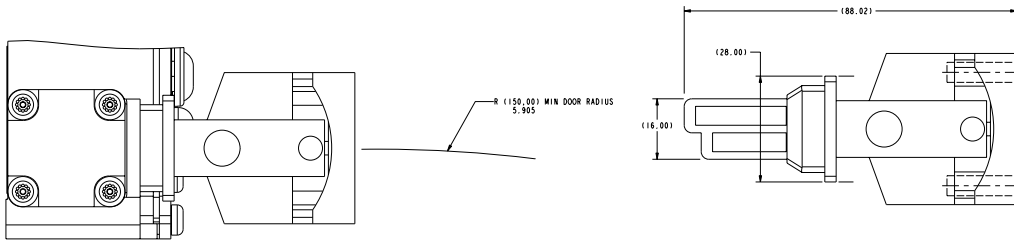


KEY CODE 2

ANSI Y14.5M-1982 APPLIES

THIS DRAWING COVERS A PROPRIETARY ITEM AND IS THE PROPERTY OF MICRO SWITCH, A DIVISION OF HONEYWELL. THIS DRAWING IS NOT TO BE COPIED OR USED WITHOUT THE APPROVAL OF MICRO SWITCH.
 100-000-000-0000
 MICRO SWITCH
 Honeywell Division
 SWITCH - DOOR INTERLOCK
 GK SERIES CHART 2
 CATALOG LISTING

THIRD ANGLE PROJECTION	
SCALE	1:1
DO NOT SCALE PRINT	
TOLERANCES UNLESS OTHERWISE SPECIFIED	
FRONT VIEW	1/8"
TOP VIEW	1/16"
SECTION	1/32"
SPACINGS	1/32"
DRILLING	1/64"
POSITIONING	1/32"
FINISH	1/32"
WEIGHT UNITS	1/16"
WEIGHT	2.3 kg / 5.18 MAX



KEY CODE 4

THIS DRAWING COVERS A PROPRIETARY ITEM AND IS THE PROPERTY OF MICRO SWITCH, A DIVISION OF HONEYWELL. THIS DRAWING IS NOT TO BE COPIED OR USED WITHOUT THE APPROVAL OF MICRO SWITCH.

ANSI Y14.5M-1982 APPLIES

MICRO SWITCH
Honeywell Division

SWITCH - DOOR INTERLOCK

GK SERIES CHART 2

THIS DRAWING IS NOT TO BE COPIED OR USED WITHOUT THE APPROVAL OF MICRO SWITCH.

SCALE: 1:1

DO NOT SCALE PRINT

UNLESS OTHERWISE SPECIFIED, ALL DIMENSIONS ARE IN INCHES AND DECIMALS THEREOF.

FINISHES: UNLESS OTHERWISE SPECIFIED, ALL DIMENSIONS ARE IN INCHES AND DECIMALS THEREOF.

WEIGHT: 2.3 kg / 5.18 LBS MAX

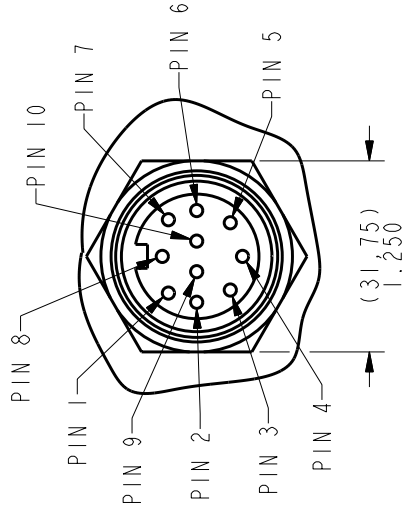
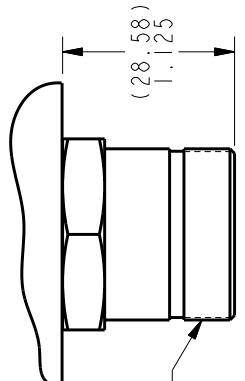
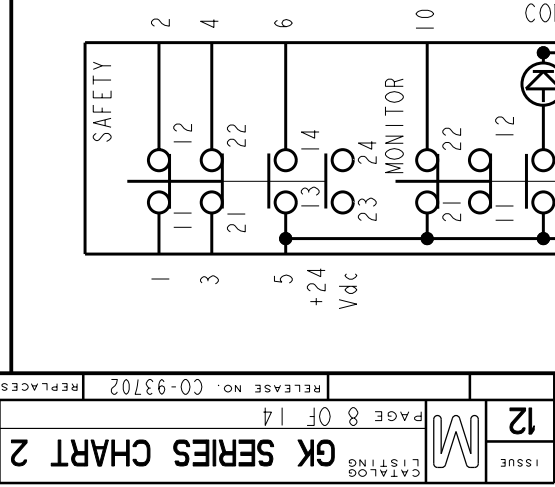
MICRO SWITCH
a Honeywell Division
FED. MFG. CODE 91929

SWITCH - DOOR INTERLOCK

GK SERIES CHART 2

THIS DRAWING COVERS A PROPRIETARY ITEM AND IS THE PROPERTY OF MICRO SWITCH, A DIVISION OF HONEYWELL. THIS DRAWING IS NOT TO BE COPIED OR USED WITHOUT THE APPROVAL OF MICRO SWITCH.

SAV	20 OCT 98	CHECK	JAF	20 OCT 98	CHECK	REPLACES	RELEASE NO. CO-93702
DRAWN	20 OCT 98	CHECK	JAF	20 OCT 98	CHECK	REPLACES	RELEASE NO. CO-93702
PTC/CAD							



300V 7A
BRAD-HARRISON PART NO. 3RI006A2IF010
OR EQUIVALENT

THIRD ANGLE PROJECTION	SCALE	NONE									
DO NOT SCALE PRINT	TOLERANCES	APPLY TO DESIGN UNITS. CONVERSIONS ARE ONLY FOR REFERENCE. UNLESS NOTED, TOLERANCES ARE:									
		<table border="1"> <tr> <td>NO. PLACES</td> <td>FRACTION</td> <td>DECIMAL</td> </tr> <tr> <td>TWO PLACES</td> <td>1/100</td> <td>0.01</td> </tr> <tr> <td>THREE PLACES</td> <td>1/1000</td> <td>0.001</td> </tr> </table>	NO. PLACES	FRACTION	DECIMAL	TWO PLACES	1/100	0.01	THREE PLACES	1/1000	0.001
NO. PLACES	FRACTION	DECIMAL									
TWO PLACES	1/100	0.01									
THREE PLACES	1/1000	0.001									
	DESIGN UNITS	SI METRIC <input checked="" type="checkbox"/> US CUSTOMARY <input type="checkbox"/>									
	WEIGHT	2.3 kg / 5 LB MAX									

MODIFICATION CODE: F04

ANSI Y14.5M-1982 APPLIES

CATALOG LISTING
GK SERIES CHART 2
PAGE 8 OF 14
ISSUE 12

REVISIONS	FA	2005975	
	RED	18JUL02	

CATALOG LISTING GK SERIES CHART 2
 ISSUE 12
 PAGE 10 OF 14
 RELEASE NO. CO-93702
 REPLACES
 CHECK
 REVISIONS
 A 205975
 JED
 MAR 92
 CHECK
 JAF 24 AUG 99
 CHECK
 20
 PTC/CAD
 DRAIN
 KED 24 AUG 99
 CHECK
 20

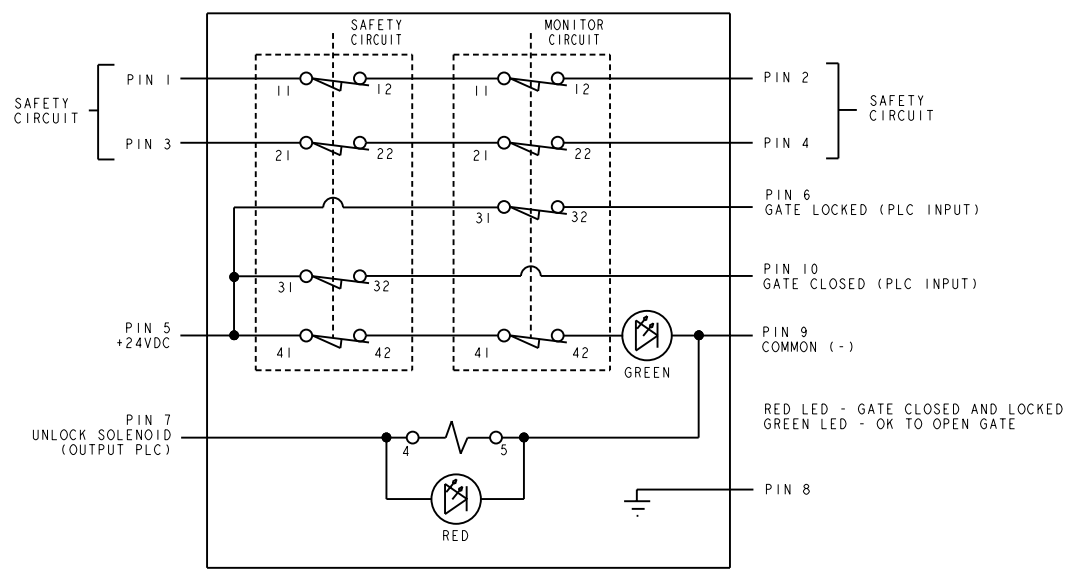
MICRO SWITCH
 a Honeywell Division
 FED. MFG. CODE 91929

SWITCH-DOOR INTERLOCK
 GK SERIES CHART 2

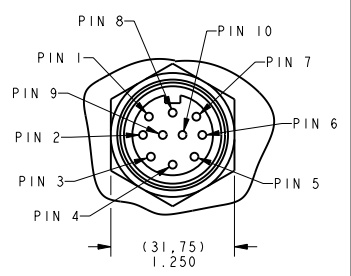
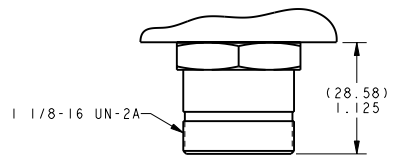
CATALOG LISTING

THIS DRAWING COVERS A PROPRIETARY ITEM AND IS THE PROPERTY OF MICRO SWITCH, A DIVISION OF HONEYWELL. THIS DRAWING IS NOT TO BE COPIED OR USED WITHOUT THE APPROVAL OF MICRO SWITCH

MODIFICATION CODE: F05



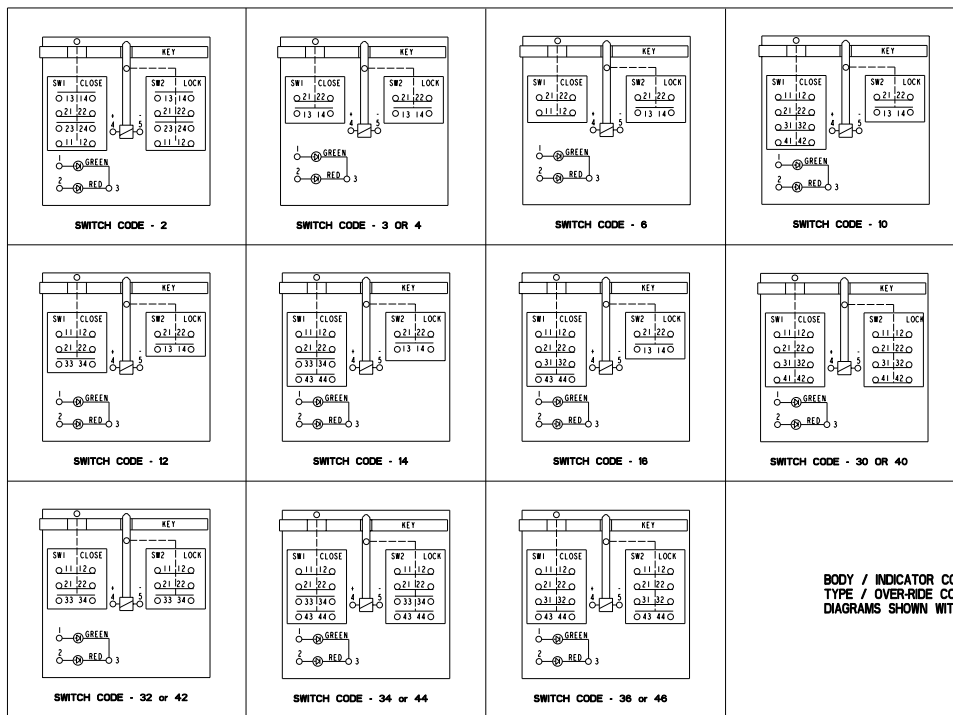
SWITCH DIAGRAM STATE IS CLOSED AND LOCKED



300V 7A
 BRAD-HARRISON PART NO. 3R1006A21F010
 OR EQUIVALENT

THIRD ANGLE PROJECTION	
SCALE	NONE
DO NOT SCALE PRINT	
TOLERANCES	
APPLY TO DESIGN UNITS. CONVERSIONS ARE ONLY FOR REFERENCE, UNLESS NOTED. TOLERANCES ARE:	
NO PLACES	±0.25
ONE PLACE	±0.13
TWO PLACES	±0.076
THREE PLACES	±0.051
ANGLES	
DESIGN UNITS	SI METRIC <input checked="" type="checkbox"/> US CUSTOMARY <input type="checkbox"/>
WEIGHT 2.3 kg / 5 LB MAX	

ANSI Y14.5M-1982 APPLIES



BODY / INDICATOR CODES - L OR R
TYPE / OVER-RIDE CODES - A OR B
DIAGRAMS SHOWN WITH KEY INSERTED AND LOCKED

THIS DRAWING COVERS A PROPRIETARY ITEM AND IS THE PROPERTY OF MICRO SWITCH, A DIVISION OF HONEYWELL. THIS DRAWING IS NOT TO BE COPIED OR USED WITHOUT THE APPROVAL OF MICRO SWITCH.

ANSI Y14.1M-1982 APPLIES

MICRO SWITCH
Honeywell Division

SWITCH - DOOR INTERLOCK

MK SERIES CHART 2

WEIGHT 2.3 kg / 5.18 LBS

