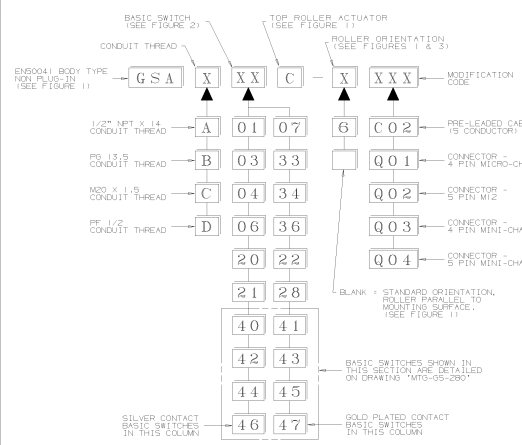
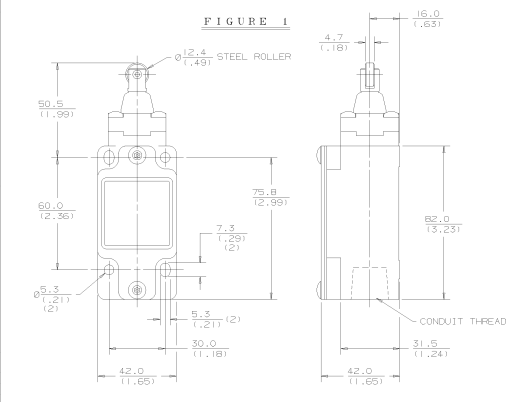


DRAWING NUMBER: MTG-GS-248
 SCALE: 1:1
 ISSUE: 2
 REVISIONS:
 1. 02/7/03
 2. 7/2/08

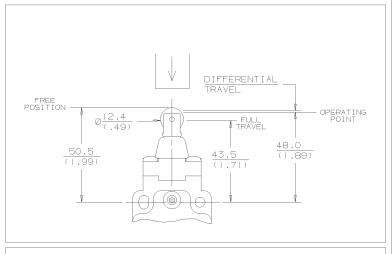
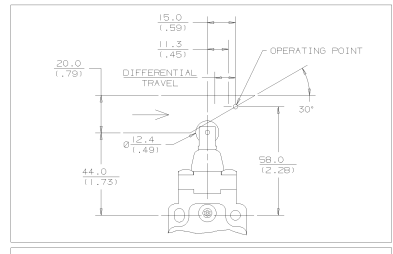
GLOBAL SAFETY SWITCH
 CATALOGUE LISTING CHART NO. **MTG-GS-248**



EN50041 BODY TYPE	GSA	X	XX	C	X	XXX	MODIFICATION CODE
NON-PLUG-IN (SEE FIGURE 1)							
CONDUIT THREAD	A	01	07	6	C02		PRE-LEADED CABLE (5 CONDUCTOR)
1/2" NPT x 1/4" CONDUIT THREAD							
PI 1/8" CONDUIT THREAD	B	03	33		Q01		CONNECTOR 4 PIN MICRO-CHANGE
M20 x 1.5 CONDUIT THREAD	C	04	34		Q02		CONNECTOR 4 PIN MINI-CHANGE
PF 1/2" CONDUIT THREAD	D	06	36		Q03		CONNECTOR 4 PIN MINI-CHANGE
					Q04		CONNECTOR 5 PIN MINI-CHANGE
					20	22	
					21	28	
					40	41	
					42	43	
					44	45	
					46	47	

BLANK = STANDARD ORIENTATION, ROLLER PARALLEL TO MOUNTING SURFACE (SEE FIGURE 1)
 BASIC SWITCHES SHOWN IN THIS SECTION ARE DETAILED ON DRAWING "MTG-GS-280"
 SILVER CONTACT BASIC SWITCHES IN THIS COLUMN GOLD PLATED CONTACT BASIC SWITCHES IN THIS COLUMN

BASIC SWITCH	CONTACT BLOCK DIAGRAM	CAM ACTUATION PER EN50041		PIN ACTUATION	
		MAXIMUM OPERATING FORCE N _L LB	MAXIMUM DISCONNECT FORCE N _L LB	MAXIMUM OPERATING FORCE N _L LB	MAXIMUM DISCONNECT FORCE N _L LB
01	SNAP ACTION SINGLE POLE	9.3	15.6	16	27
07	SNAP ACTION SINGLE POLE	2.1	3.5	3.6	6.0
03	SLOW ACTION BREAK BEFORE MAKE	9.3	15.6	16	27
33	SLOW ACTION BREAK BEFORE MAKE	2.1	3.5	3.6	6.0
04	SLOW ACTION MAKE BEFORE BREAK	9.3	15.6	16	27
34	SLOW ACTION MAKE BEFORE BREAK	2.1	3.5	3.6	6.0
06	SLOW ACTION 2 NORMALLY CLOSED	9.3	15.6	16	27
36	SLOW ACTION 2 NORMALLY CLOSED	2.1	3.5	3.6	6.0
20	SNAP ACTION DOUBLE POLE	9.3	21.4	16	37
22	SNAP ACTION DOUBLE POLE	2.1	4.8	3.6	8.2
21	SNAP ACTION DOUBLE POLE SEQUENTIAL	9.3	15.6	16	27
28	SNAP ACTION DOUBLE POLE SEQUENTIAL	2.1	3.5	3.6	6.0



MIN. OPERATING VELOCITY = 1.7mm/s (0.067in/s)
 MAX. OPERATING VELOCITY = 0.17m/s (6.7in/s)
 MAX. OPERATING FREQUENCY = 250 OPS/MINUTE

MIN. OPERATING VELOCITY = 1.0mm/s (0.04in/s)
 MAX. OPERATING VELOCITY = 0.11m/s (4.3in/s)
 MAX. OPERATING FREQUENCY = 250 OPS/MINUTE

IEC 947-5-1 ELECTRICAL RATING				GOLD PLATED CONTACTS		ENVIRONMENTAL		APPROVALS
SILVER CONTACTS				I _{th} = 10A		IP67 NEMA IAL 1,4,12,13		 IEC 947-5-1 EN50041
VOLTS				50V 100mA MAX.		TEMP RANGE: -25°C TO 85°C -15°F TO 185°F STORAGE: -40°C TO 85°C -40°F TO 185°F SHOCK: 50G PER IEC 68-2-27 VIBRATION: 10G PER IEC 68-2-6		
AC	AC15	AC50	AC15					
1/2"	1/4"	1/4"	1/4"					
120	6	120	6					
240	3	240	3					
280	1.5	280	1.5					
500	0.75	500	0.75					
800	0.5	800	0.5					

THE WEIGHT OF THIS DRAWING IS THE PROPERTY OF HOMERAY. NO PART OF THIS DRAWING IS TO BE REPRODUCED OR TRANSMITTED IN ANY FORM OR BY ANY MEANS, ELECTRONIC OR MECHANICAL, INCLUDING PHOTOCOPYING, RECORDING, OR BY ANY INFORMATION STORAGE AND RETRIEVAL SYSTEM, WITHOUT THE WRITTEN PERMISSION OF HOMERAY.

SCALE: 1:1 DIMENSIONS ARE IN (INCHES) MM MODIFY ON CAD SYSTEM ONLY

NOTES:-
 1. RED EPOXY PAINT FINISHED ZINC DIE-CAST BODY AND STEEL COVER, BLACK EPOXY PAINT FINISHED ZINC DIE-CAST HEAD.
 2. FREE POSITION (IF P.), OPERATING POINT, OVERTRAVEL (O.T.) AND PRETRAVEL ALL TO EN50041.
 3. ANY STANDARD LISTING WITH SUFFIX 'RS' OR 'FE' IS PERMITTED.
 4. FOR CONNECTION DIAGRAMS AND ADDITIONAL ELECTRICAL, DIMENSIONAL AND ENVIRONMENTAL INFORMATION REFER TO DRAWING GL-49212.
 5. HEAD AND COVER FIXED WITH TORX® SOCKET HEAD SCREWS (DRIVER SUPPLIED).

NO CHANGES CAN BE MADE TO THIS DRAWING WITHOUT JOINT NEWHOUSE/FREEMOT APPROVAL



HEAD ORIENTATION WITH ROLLER PERPENDICULAR TO MOUNTING SURFACE.