

Commercial CCS-37 Miniature Transfer DC-18GHz Latching



The CCS-37 Latching Switch is a long-life high performance transfer switch designed for use in 50 Ohms coaxial transmission lines operating over frequencies ranging from DC to 18 GHz. The switch is designed for minimum size compatible with SMA connector spacing.

Specifications

RF Contacts: Break before make

Actuator	Voltage (VDC) 20°C	12	15	28
	Current (mA)	160	130	60

Switching Time: 15 msec max

Connectors: SMA (f)

Weight: 2.50 oz. max

Temperature Range: -40°C to +65°C (Operating)

Shock: MIL-STD-202 Method 213, Condition D (500G Non Operating)

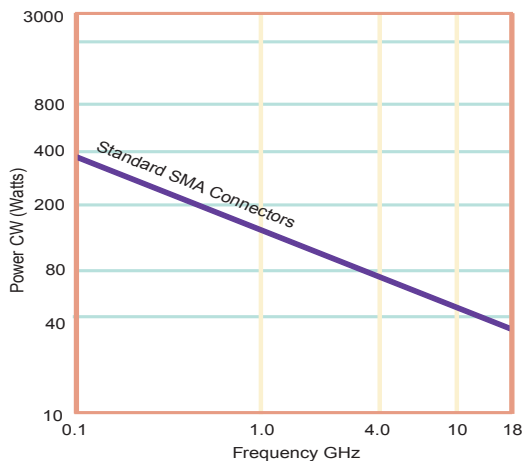
Vibration: MIL-STD-202 Method 214, Condition D (10G RMS Non Operating)

Humidity: Moisture Seal Available

MTBF: 6.8 Million Hours (MIL-HDBK-217F Fixed, 25°C, <1 Cycle per hour)

RF Power Handling:

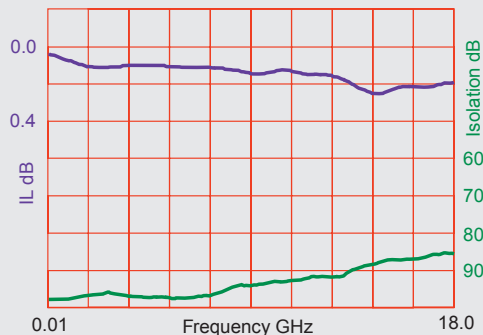
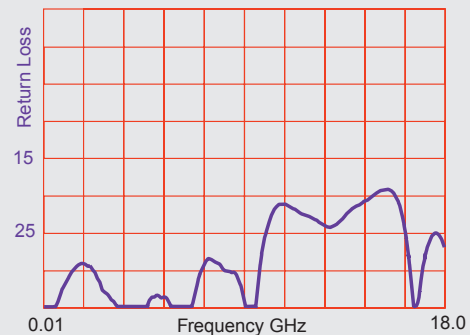
This switch is provided with a magnetic latching actuator which is particularly desirable in applications where actuator power consumption must be kept to an absolute minimum. The latching type actuator requires less switching current than the failsafe type. In the self-cutoff version, power is applied only for the very short duration (approximately 50 msec. max.) of the actuator transfer from one position of the other. This makes this type of actuator especially suitable for portable battery operated systems.



Specifications

	DC-6 GHz	6-12 GHz	12-18 GHz
VSWR (max)	1.25:1	1.40:1	1.50:1
Insertion Loss (min)	0.20 dB	0.40 dB	0.50 dB
Isolation (max)	70.0 dB	60.0 dB	60.0 dB

Typical Performance



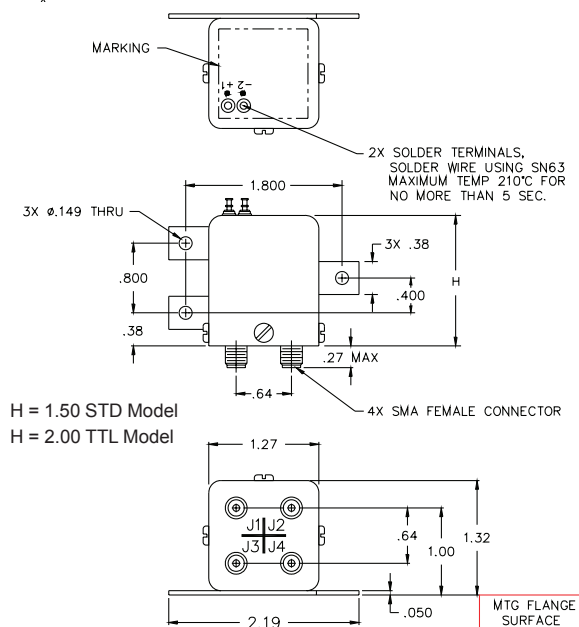
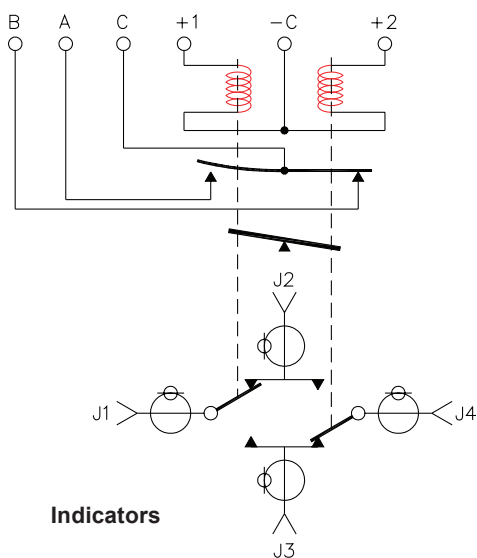
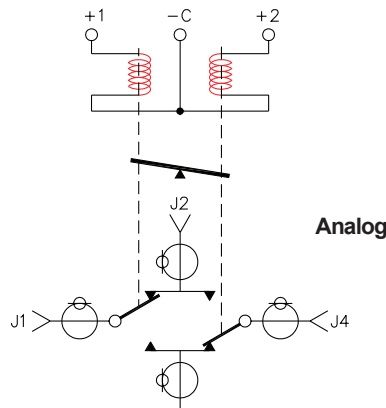
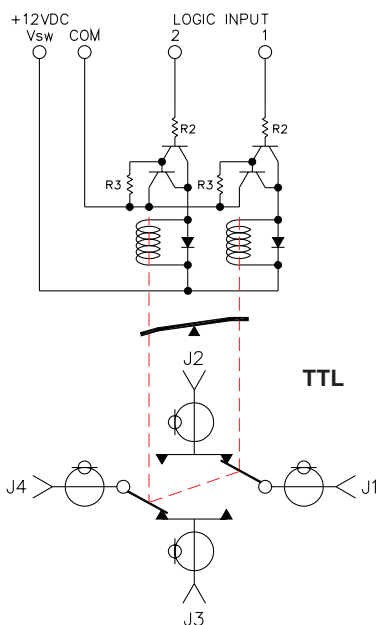
Specifications subject to change without notice.

www.teledynecoax.com
email: coax@teledyne.com

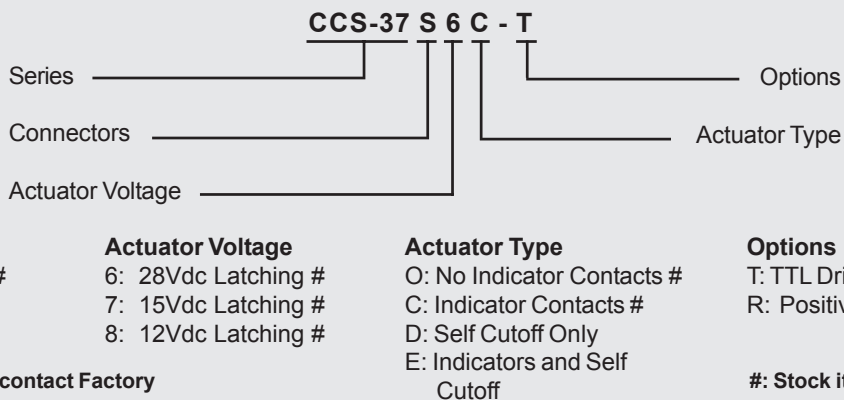
Tel: (800) 351-7368

10/2007

Commercial CCS-37 Miniature Transfer DC-18GHz Latching



Part Numbering System for CCS-37 (Latching)



For other options contact Factory



Specifications subject to change without notice.

www.teledynecoax.com
email: coax@teledyne.com

Tel: (800) 351-7368

10/2007