

MICRO SWITCH

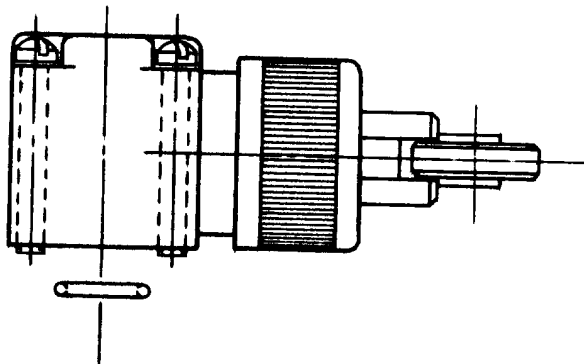
A DIVISION OF MINNEAPOLIS-HONEYWELL REGULATOR COMPANY
 FREEPORT, MINNESOTA

FED. MFR. CODE 91929

PACKET

CATALOG LISTING

9PA45 ★



NOTE -

1- SEAL RING FURNISHED UNASSEMBLED WITH PACKET

THIS DRAWING COVERS A PROPRIETARY ITEM AND IS THE PROPERTY OF MICRO SWITCH, A DIVISION OF MINNEAPOLIS-HONEYWELL REGULATOR CO. THIS DRAWING IS NOT TO BE COPIED OR USED WITHOUT THE APPROVAL OF MICRO SWITCH.

CHARACTERISTICS

ELECTRICAL DATA

SCALE FULL

DO NOT SCALE PRINT

UNLESS OTHERWISE SPECIFIED

DIMENSIONS ARE IN INCHES

TOLERANCES ARE:

ONE PLACE (.0)	±.030
TWO PLACE (.00)	±.018
THREE PLACE (.000)	±.008
ANGLES	±

WEIGHT

9PA45		REPLACES
M	RELEASE NO. SR 9603	
DRAWING NUMBER		
2		
ISSUE		
X		
REVISIONS		
A	CO 17089	CHECK
	M B F	
	12 SEP 63	
	EAS	18 APR '61
	DAW	18 APR '61
	K L B	17 APR '61
FO-50378	DRAWN	