

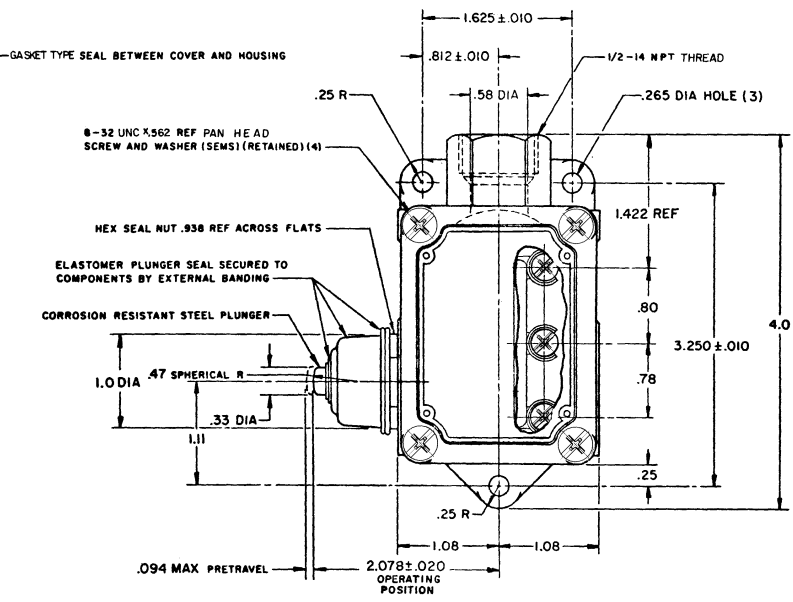
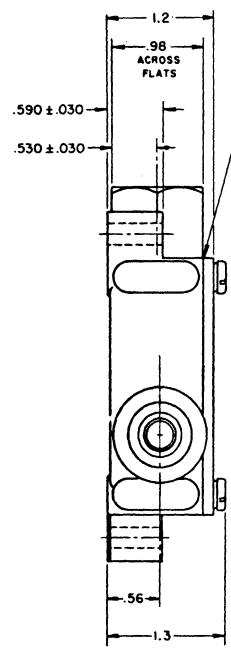
MICRO SWITCH
a Honeywell Division

SWITCH-ENCLOSED

CATALOG LISTING
BZFI-2RN-LH
(LEFT HAND)

FED. MFG. CODE 61929

CATALOG LISTING: **BZFI-2RN-LH**
ISSUE **M** 14
PAGE 1 OF 1
RELEASE NO.
REPLACES
REVISIONS
A 12 COY 17 MAY 95
B 18 MAY 95
C 18 MAY 95
D 18 MAY 95
E 18 MAY 95
F 18 MAY 95
G 18 MAY 95
H 18 MAY 95
I 18 MAY 95
J 18 MAY 95
K 18 MAY 95
L 18 MAY 95
M 18 MAY 95
N 18 MAY 95
O 18 MAY 95
P 18 MAY 95
Q 18 MAY 95
R 18 MAY 95
S 18 MAY 95
T 18 MAY 95
U 18 MAY 95
V 18 MAY 95
W 18 MAY 95
X 18 MAY 95
Y 18 MAY 95
Z 18 MAY 95
DRAWN: GJW
FORMTEK



THIS DRAWING COVERS A PROPRIETARY ITEM AND IS THE PROPERTY OF MICRO SWITCH, A DIVISION OF HONEYWELL. THIS DRAWING IS NOT TO BE COPIED OR USED WITHOUT THE APPROVAL OF MICRO SWITCH.		THIRD ANGLE PROJECTION
CHARACTERISTICS		SCALE FULL
OPERATING FORCE ----- 2 LB MAX	ELECTRICAL DATA	DO NOT SCALE PRINT
RELEASE FORCE ----- 1/2 LB	CONTACT ARRANGEMENT	UNLESS OTHERWISE SPECIFIED TOLERANCES ARE
DIFFERENTIAL TRAVEL ----- .004 MAX	S P D T	ONE PLACE 1.01 ± .030
OVERTRAVEL ----- .219 MIN	-L96-	TWO PLACE 1.001 ± .015
BASIC SWITCH REPLACEMENT B2-2R708-P7	15 A-125, 250, OR 480 VAC	THREE PLACE 1.0001 ± .005
	1/2 A-125 VDC; 1/4 A-250 VDC	ANGLES ±
	1/8 HP-125 VAC; 1/4 HP-250 VAC	WEIGHT .500 LB

NOTE
1 - 8-32 UNC X (.219) BINDER HEAD, COMBINATION, TERMINAL SCREWS AND CUP WASHERS (SEMS) (3)