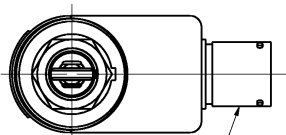
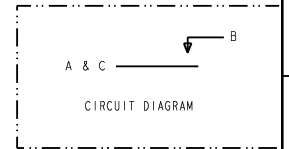


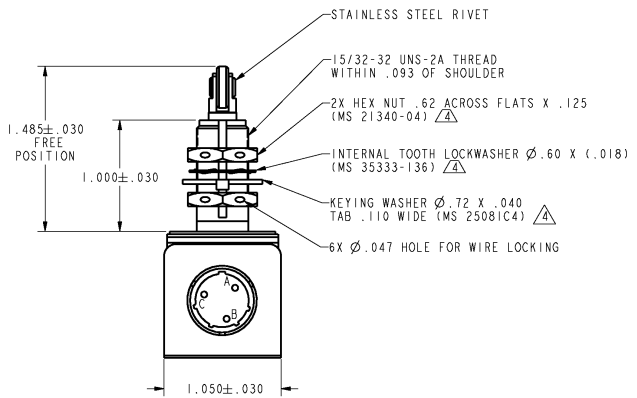
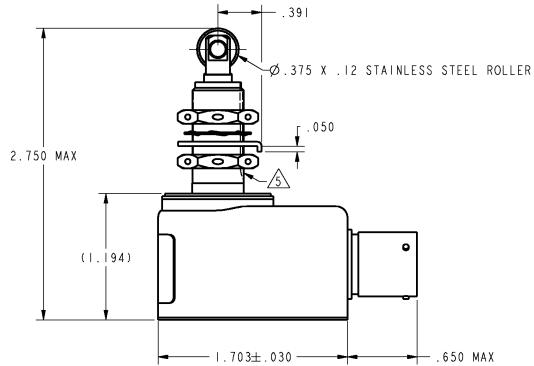
REV	DOCUMENT	CHANGED BY	CHECK
1	PR-24216	LJK 17NOV99	JAF

NOTES

- 1 - CORROSION RESISTANT STEEL ROLLER, PLUNGER, NUTS, WASHERS, BUSHING AND ENCLOSURE
- 2 - SWITCH SEALED PER MIL-PRF-8805 SYMBOL 4
- 3 - CIRCUIT DIAGRAM, CATALOG LISTING, FED MFG CODE AND DATE CODE ON NAMEPLATE
- 4 - HARDWARE MAY BE PACKAGED UNASSEMBLED PER MIL-PRF-8805
- 5 - KEYWAY .072±.004 WIDE X ∇ .031±.003 TO WITHIN .250 OF SHOULDER
- 6 - BASIC SWITCH HAS GOLD CONTACTS
- 7 - FURNISHED WITH SNUG FITTING DUST CAP
- 8 - ELASTOMER O-RING IS EPDM
- 9 - ELECTRICAL LIFE HAS BEEN DE-RATED TO 1000 MINIMUM DUE TO POSSIBLE USE AT LOWER VOLTAGES AT THE SPECIFIED LOAD



CONNECTOR PER MIL-C-26482
PART NUMBER MS3443H8C-98P



CUSTOMER PART NO. 5912407

ELECTRICAL DATA		
CONTACT ARRANGEMENT: S P N O		
SEA LEVEL	50,000 FT	
LOAD	33 VDC	33 VDC
RES	I	I
IND	.6	.6

CHARACTERISTICS	
OPERATING FORCE	3-6 LBS
FULL OVERTRAVEL FORCE	17 LBS MAX
RELEASE FORCE	2 LBS MIN
PRETRAVEL	.040 MAX
DIFFERENTIAL TRAVEL	.020 MAX
OVERTRAVEL	.125 MIN

UNLESS OTHERWISE SPECIFIED TOLERANCES ARE:	<input checked="" type="checkbox"/> FRACTIONAL	<input type="checkbox"/> DECIMAL	<input type="checkbox"/> MIXED
NO PLACE	X	±.040	±.1
ONE PLACE	.X	±.030	±0.4
TWO PLACE	.XX	±.015	±0.15
THREE PLACE	.XXX	±.005	±
ANGLES		±	±
RAW MATERIAL-COMMERCIAL STANDARD			

DRAWN	LJK	17NOV99
CHECK	JAF	17NOV99
THIS DRAWING COVERS A PROPRIETARY ITEM AND IS THE PROPERTY OF HONEYWELL SENSING AND CONTROL. THIS DRAWING IS NOT TO BE COPIED OR USED WITHOUT THE PERMISSION OF HONEYWELL.		
DIMENSIONS ARE TO BE MET BEFORE PROTECTIVE COATINGS ARE APPLIED		
2D PTC	ASME Y14.5M-1994	

Honeywell	
Sensing and Control	
TITLE SWITCH, ENCLOSED	
SIZE DWG TYPE	DRAWING NAME
C M	624EN344-R
SCALE 1.5:1	WEIGHT 6 OZ MAX SHEET 1 OF 1