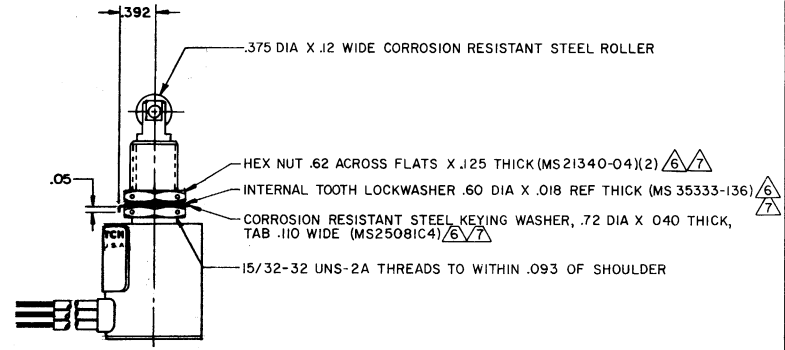
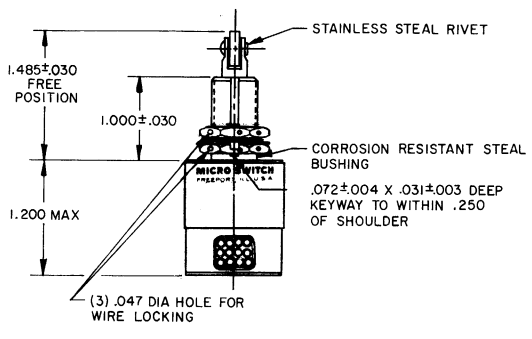
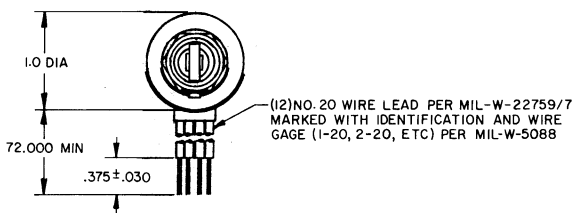
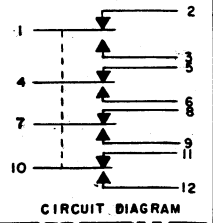


MICRO SWITCH
 FREEPORT, ILLINOIS, U.S.A.
 A DIVISION OF HONEYWELL
 FED. MFG. CODE 9192R

SWITCH - ENCLOSED

CATALOG LISTING
624EN73-6



- NOTES**
- 1 - CORROSION RESISTANT STEEL ENCLOSURE
 - 2 - SWITCH SEALED PER MIL-S-8805 SYMBOL 4
 - 3 - COINCIDENCE OF OPERATING AND RELEASING POINTS: .010 INCH OF PLUNGER TRAVEL
 - 4 - CIRCUIT DIAGRAM AND CATALOG LISTING ARE SHOWN ON NAMEPLATE
 - 5 - ELECTRICAL RATINGS APPLY AS SPECIFIED IN MIL-S-8805/43 UP TO 185°F
 - 6 - HARDWARE MAY BE PACKAGED UNASSEMBLED PER MIL-S-8805
 - 7 - REPLACEMENT MOUNTING HARDWARE - PACKET 19PA9

THIS DRAWING COVERS A PROPRIETARY ITEM AND IS THE PROPERTY OF MICRO SWITCH, A DIVISION OF HONEYWELL. THIS DRAWING IS NOT TO BE COPIED OR USED WITHOUT THE APPROVAL OF MICRO SWITCH.

CHARACTERISTICS		ELECTRICAL DATA		SCALE FULL	
OPERATING FORCE	6-12 LB	CONTACT ARRANGEMENT		DO NOT SCALE PRINT	
FULL OVERTRAVEL FORCE	30 LB MAX	S P D T (4)		UNLESS OTHERWISE SPECIFIED TOLERANCES ARE	
RELEASE FORCE	4 LB MIN	28 VDC		ONE PLACE	(.0) ± .030
PRETRAVEL	-.040 MAX	SEA LEVEL 50,000 FT		TWO PLACE	(.00) ± .015
DIFFERENTIAL TRAVEL	.020 MAX	RES	7	THREE PLACE	(.000) ± .005
OVERTRAVEL	.125 MIN	IND	4	ANGLES	±
		MOTOR	4	THIRD ANGLE PROJECTION	
				WEIGHT .85 LB	

DRAWING NUMBER: 624EN73-6
 ISSUE: 3
 REVISIONS:
 A PR17900
 20 NOV 89
 B 755128
 16 AUG 93
 T S M 20 NOV 89
 DRAWN: E.T. 28 Nov 89
 CHECK: