

MICRO SWITCH
a Honeywell Division

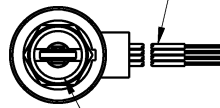
SWITCH - ENCLOSED

624EN300-2

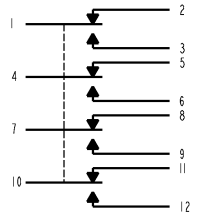
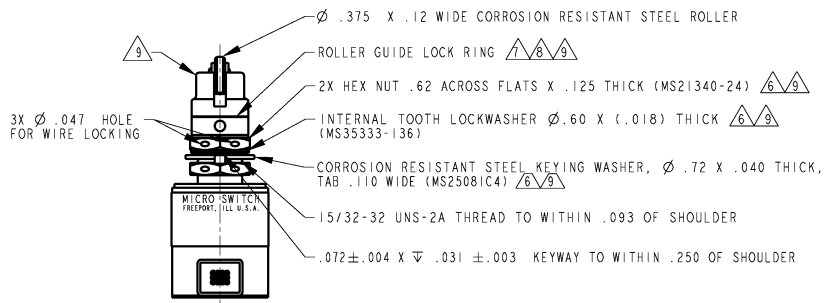
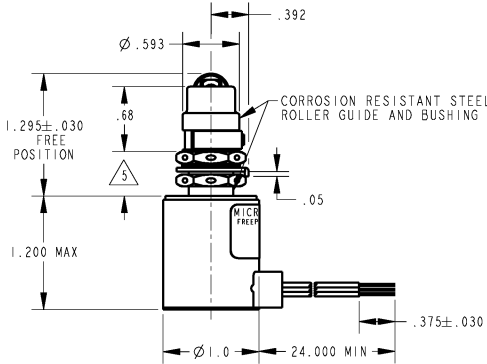
CATALOG LISTING

FED. MFG. CODE 91929

2X NO. 24 WIRE LEAD PER MIL-W-22759/11 MARKED WITH CIRCUIT IDENTIFICATION AND WIRE GAGE (1-24, 2-24, ETC) PER MIL-W-5088



ROLLER GUIDE MAY BE LOCKED IN INCREMENTS OF 45° AZIMUTH. IT MAY ALSO BE UNSCREWED AND REMOVED FROM BUSHING TO FACILITATE INSTALLATION $\nabla 4$



CIRCUIT DIAGRAM

NOTES

- CORROSION RESISTANT STEEL ENCLOSURE
- SWITCH SEALED PER MIL-PRF-8805 SYMBOL 4
- CIRCUIT DIAGRAM AND CATALOG LISTING ARE SHOWN ON NAMEPLATE
- TO ADJUST ROLLER DIRECTION REMOVE ROLLER GUIDE LOCK RING SCREW ROLLER GUIDE TO DESIRED DIRECTION, SECURE BY REPLACING ROLLER GUIDE LOCK RING
- ROLLER GUIDE LOCATION CAN VARY BETWEEN .292 AND .450 WHILE MAINTAINING .125 MIN OVERTRAVEL
- REPLACEMENT MOUNTING HARDWARE - PACKET 19PA9
- REPLACEMENT ROLLER GUIDE AND LOCK RING - PACKET 15PA105
- REPLACEMENT LOCK RING - PACKET 15PA107
- HARDWARE MAY BE PACKAGED UNASSEMBLED PER MIL-PRF-8805
- COINCIDENCE OF OPERATING AND RELEASING POINTS: .010 INCH OF PLUNGER TRAVEL
- BASIC SWITCHES HAVE BIFURCATED GOLD CONTACTS

ANSI Y14.5M-1982 APPLIES

THIS DRAWING COVERS A PROPRIETARY ITEM AND IS THE PROPERTY OF MICRO SWITCH, A DIVISION OF HONEYWELL. THIS DRAWING IS NOT TO BE COPIED OR USED WITHOUT THE APPROVAL OF MICRO SWITCH

THIRD ANGLE PROJECTION



CHARACTERISTICS		ELECTRICAL DATA		SCALE
OPERATING FORCE	6 - 12 LB	CONTACT ARRANGEMENT		FULL
FULL OVERTRAVEL FORCE	30 LB MAX	4X SPDT		DO NOT SCALE PRINT
RELEASE FORCE	4 LB MIN	UNLESS OTHERWISE SPECIFIED		TOLERANCES ARE
PRETRAVEL	.040 MAX	LOAD	28 VDC ∇	ONE PLACE (.01) ±.030
DIFFERENTIAL TRAVEL	.020 MAX	RES	SEA LEVEL	TWO PLACE (.00) ±.015
OVERTRAVEL	.125 MIN	IND	50,000 FT	THREE PLACE (.000) ±.005
FREE POSITION				ANGLES
				±
				WEIGHT
				4.0 OZ MAX

CATALOG LISTING

624EN300-2

ISSUE

4

OF

REPLACES

PR-20542

CHECK

9 DEC 99

CHECK

JAF

9 DEC 99

CHECK

S A V

9 DEC 99

DRAWN

PTC/CAD

20

9 DEC 99

CHECK

JAF

9 DEC 99

CHECK

S A V

9 DEC 99

DRAWN

PTC/CAD

20

9 DEC 99

CHECK

JAF

9 DEC 99

CHECK

S A V

9 DEC 99

DRAWN

PTC/CAD

20

9 DEC 99

CHECK

JAF

9 DEC 99

CHECK

S A V

9 DEC 99

DRAWN

PTC/CAD

20

9 DEC 99

CHECK

JAF

9 DEC 99

CHECK

S A V

9 DEC 99

DRAWN

PTC/CAD

20

9 DEC 99

CHECK

JAF

9 DEC 99

CHECK

S A V

9 DEC 99

DRAWN

PTC/CAD

20

9 DEC 99

CHECK

JAF

9 DEC 99

CHECK

S A V

9 DEC 99

DRAWN

PTC/CAD

20

9 DEC 99

CHECK

JAF

9 DEC 99

CHECK

S A V

9 DEC 99

DRAWN

PTC/CAD

20

9 DEC 99

CHECK

JAF

9 DEC 99

CHECK

S A V

9 DEC 99

DRAWN

PTC/CAD

20

9 DEC 99

CHECK

JAF

9 DEC 99

CHECK

S A V

9 DEC 99

DRAWN

PTC/CAD

20

9 DEC 99

CHECK

JAF

9 DEC 99

CHECK

S A V

9 DEC 99

DRAWN

PTC/CAD

20

9 DEC 99

CHECK

JAF

9 DEC 99

CHECK

S A V

9 DEC 99

DRAWN

PTC/CAD

20

9 DEC 99

CHECK

JAF

9 DEC 99

CHECK

S A V

9 DEC 99

DRAWN

PTC/CAD

20

9 DEC 99

CHECK

JAF

9 DEC 99

CHECK

S A V

9 DEC 99

DRAWN

PTC/CAD

20

9 DEC 99

CHECK

JAF

9 DEC 99

CHECK

S A V

9 DEC 99

DRAWN

PTC/CAD

20

9 DEC 99

CHECK

JAF

9 DEC 99

CHECK

S A V

9 DEC 99

DRAWN

PTC/CAD

20

9 DEC 99

CHECK

JAF

9 DEC 99

CHECK

S A V

9 DEC 99

DRAWN

PTC/CAD

20

9 DEC 99

CHECK

JAF

9 DEC 99

CHECK

S A V

9 DEC 99

DRAWN

PTC/CAD

20

9 DEC 99

CHECK

JAF

9 DEC 99

CHECK

S A V

9 DEC 99

DRAWN

PTC/CAD

20

9 DEC 99

CHECK

JAF

9 DEC 99

CHECK

S A V

9 DEC 99

DRAWN

PTC/CAD

20

9 DEC 99

CHECK

JAF

9 DEC 99

CHECK

S A V

9 DEC 99

DRAWN

PTC/CAD

20

9 DEC 99

CHECK

JAF

9 DEC 99

CHECK

S A V

9 DEC 99

DRAWN

PTC/CAD

20

9 DEC 99

CHECK

JAF

9 DEC 99

CHECK

S A V

9 DEC 99

DRAWN

PTC/CAD

20

9 DEC 99

CHECK

JAF

9 DEC 99

CHECK

S A V

9 DEC 99

DRAWN

PTC/CAD

20

9 DEC 99

CHECK

JAF

9 DEC 99

CHECK

S A V

9 DEC 99

DRAWN